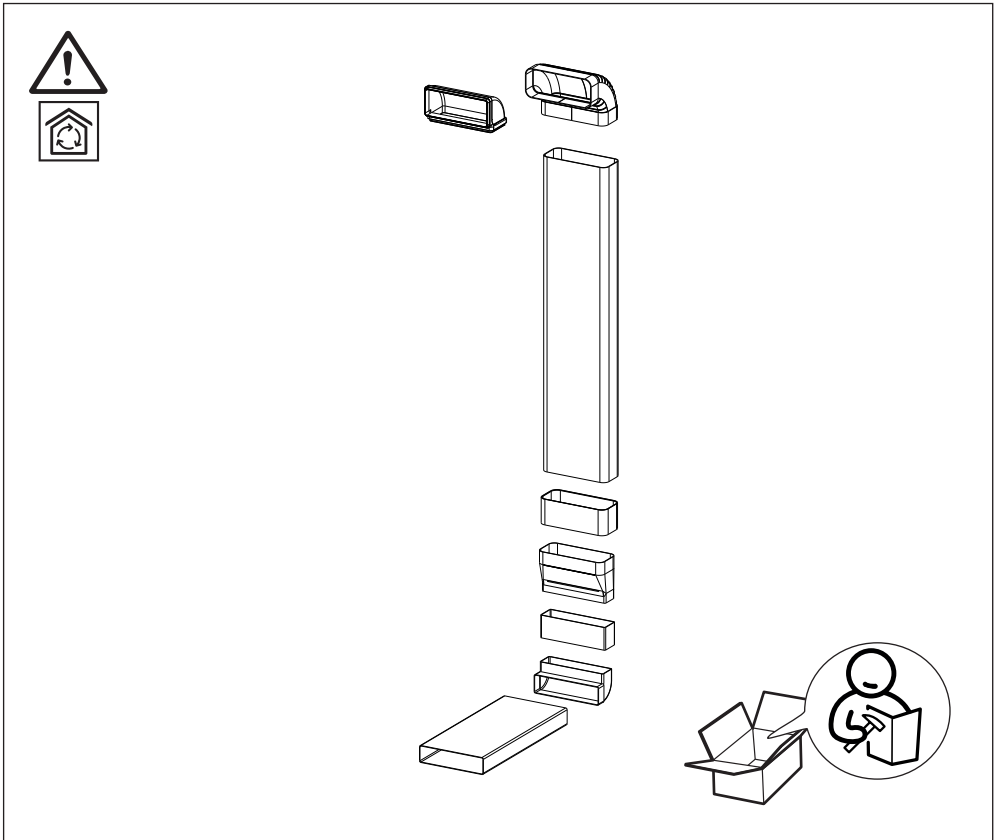
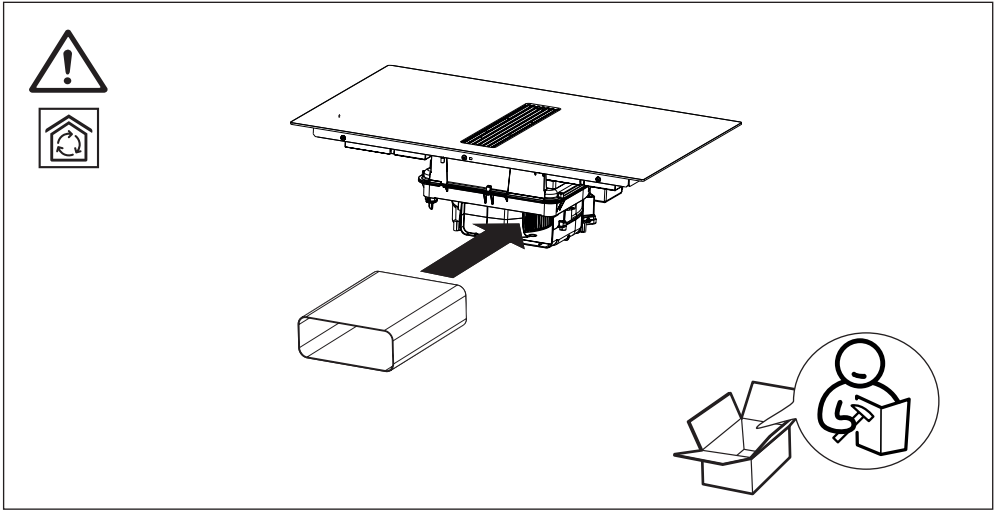
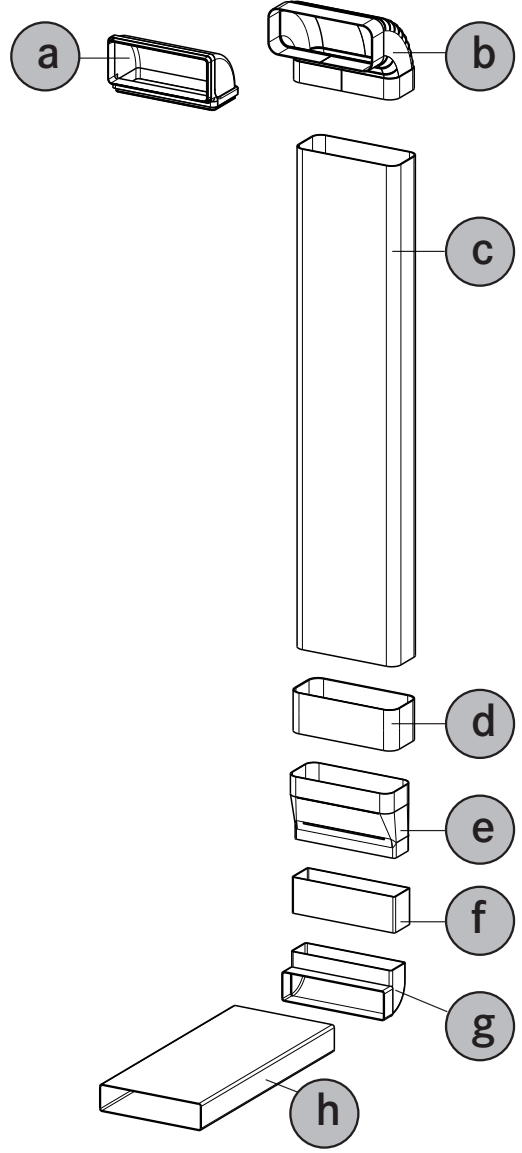
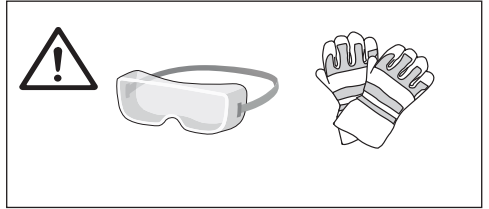
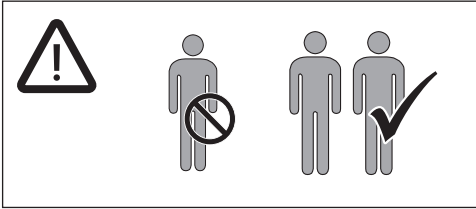
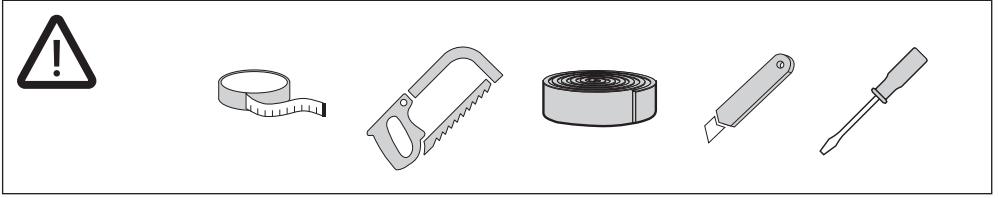


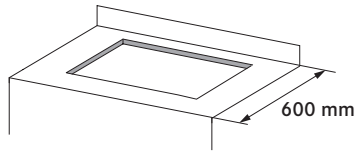
KITRHOBD6



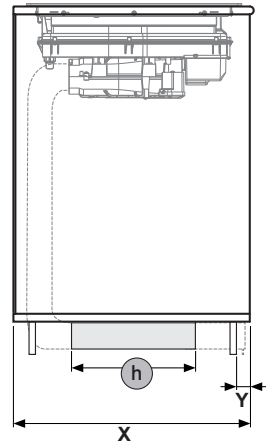
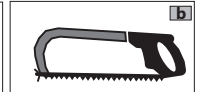
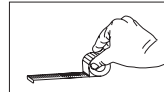
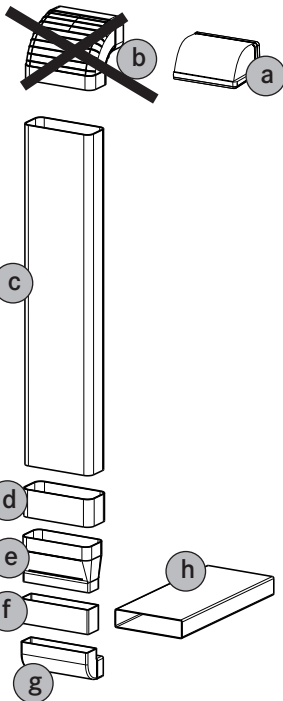
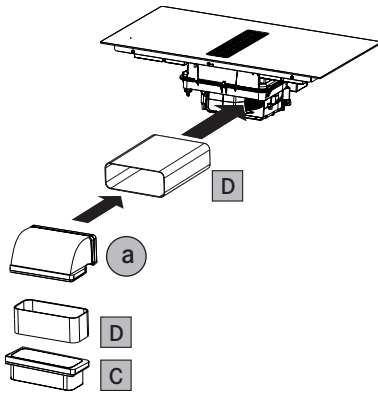






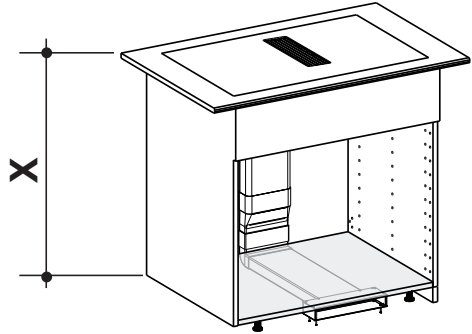
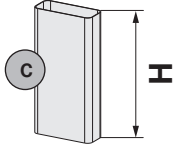


1



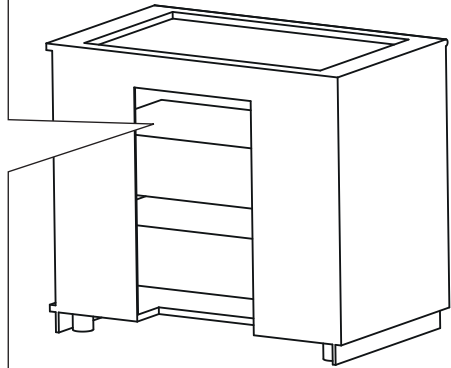
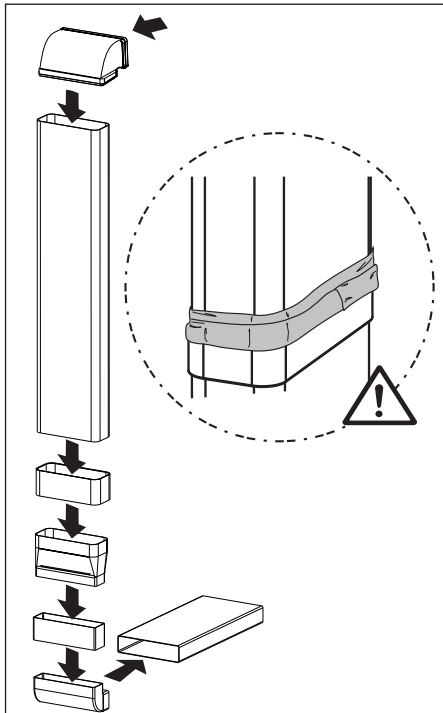
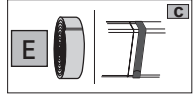
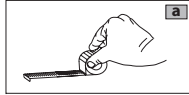
$$h = X - Y - 180$$

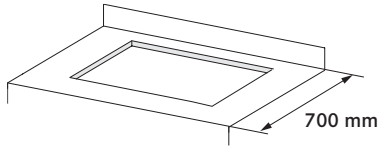
2



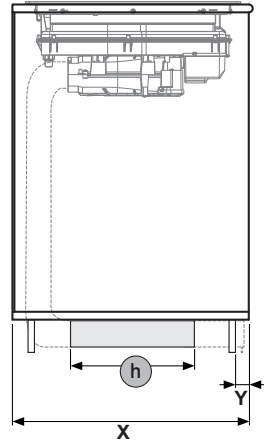
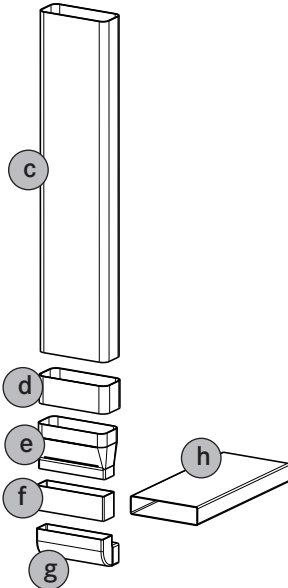
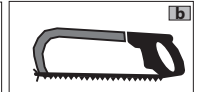
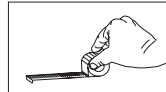
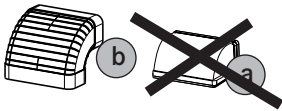
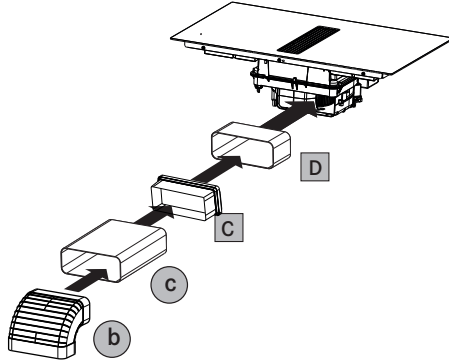
$$H = X - 560$$

3





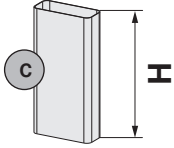
1



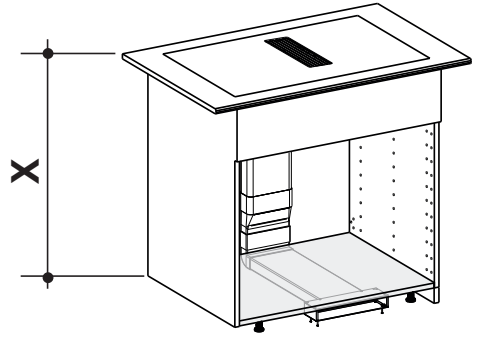
$h = X - Y - 180$



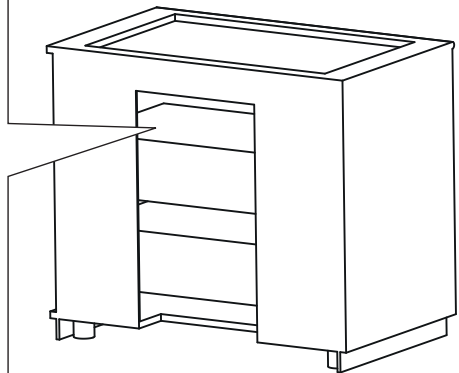
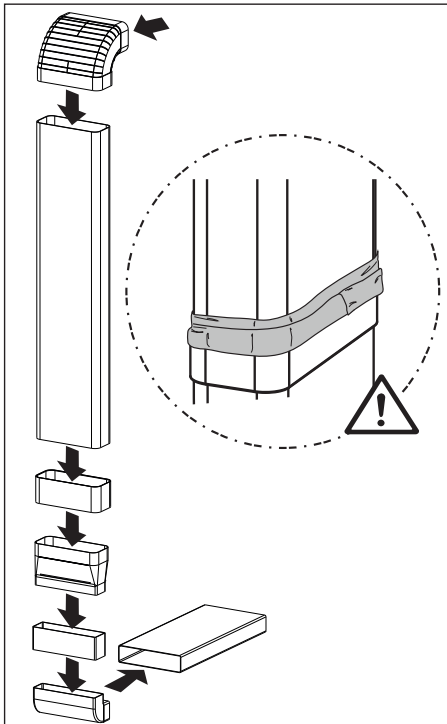
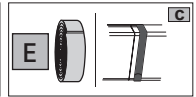
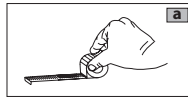
2

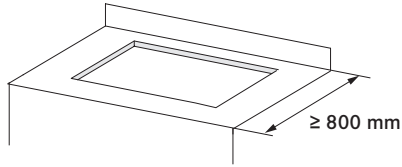


$$H = X - 515$$

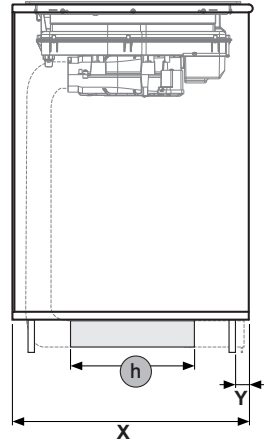
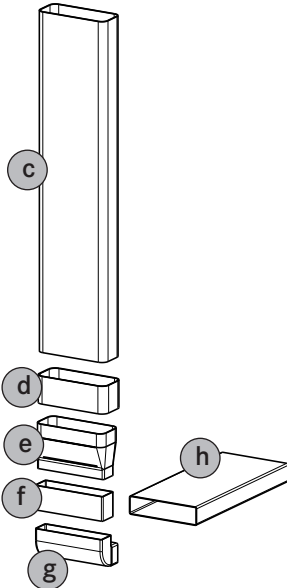
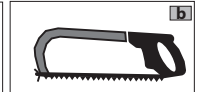
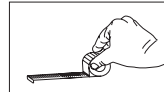
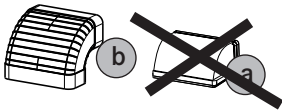
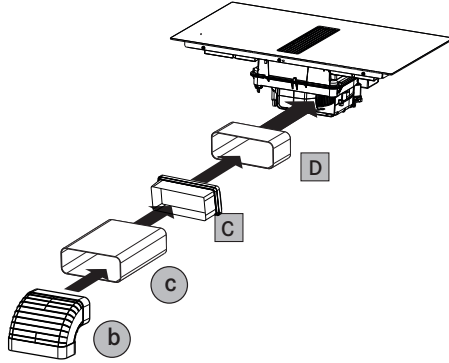


3



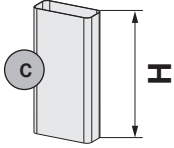


1

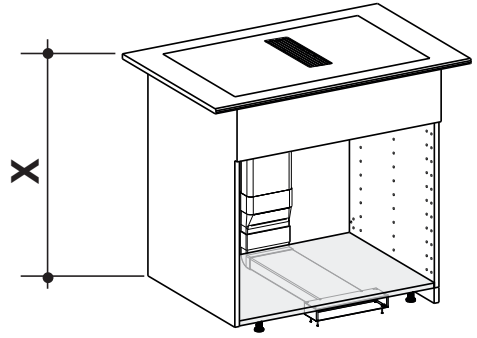


$h = X - Y - 180$

2



$$H = X - 515$$



3

