

# Table of Contents

|                                       |          |
|---------------------------------------|----------|
| <b>1 Installation</b>                 | <b>6</b> |
| 1.1 General installation instructions | 6        |
| 1.2 Electrical requirements           | 7        |
| 1.3 Electrical connection             | 8        |
| 1.4 Positioning                       | 11       |

EN

## Important Safety Instructions

**WARNING:** If the instructions contained in this manual are not followed precisely, fire or explosion may result causing property damage, personal injury or death.



**NOTE:** This appliance must be installed solely and exclusively by a qualified technician. Any technical procedures must be carried out by an authorized technician.



**READ AND SAVE THESE INSTRUCTIONS** - Your safety and the safety of others are very important. We have provided many important safety messages throughout this manual and on the appliance. Read all the instructions before using the appliance and always obey all safety messages.



### RECOGNIZE SAFETY INFORMATION

This is a safety alert symbol. This symbol alerts you to potential hazards that can result in severe personal injury or death.

### UNDERSTAND SIGNAL WORDS

A signal word - DANGER, WARNING or CAUTION - is used with the safety alert symbol. DANGER denotes the most serious hazards. It means you could be killed or seriously injured if you do not immediately follow the instructions. WARNING means you could be killed or seriously injured if the instructions are not followed. CAUTION indicates a potentially hazardous situation which, if not avoided, could result in minor to moderate injury.



## Important Safety Instructions

### WARNING



- This appliance is intended for home use only.
- Use this appliance only for its intended purpose. The manufacturer cannot be held liable for damage caused by improper use of this appliance.
- This appliance complies with current safety regulations. Improper use of this appliance can result in personal injury and material damage.
- Read all the instructions before installing or using the appliance for the first time.
- Keep these operating instructions in a safe place and pass them on to any future user.

The safety messages will inform you of potential hazards, how to avoid the risk of injury and what can occur if the instructions are not followed.

**IMPORTANT:** Installation and grounding must conform to applicable codes. Observe all codes and ordinances in force.

**WARNING:** For your safety, the instructions contained in this manual must be followed to minimize the risk of fire or explosion and to prevent property damage, personal injury or death.

Do not store or use gasoline or other flammable vapors, liquids or materials near this or any other appliance.



**NOTE:** This appliance is NOT designed for installation in manufactured (mobile) homes or in recreational vehicles (RVs).

**DO NOT install this appliance outdoors.**

**WARNING** To reduce the risk of fire, electrical shock, personal injury or damage when using the appliance, follow basic safety precautions, including the following:



- Read all instructions
- Proper installation is your responsibility. Have a qualified technician install and ground this appliance in accordance with these installation instructions.

# Important Safety Instructions



- It is the responsibility of the installer to comply with installation information specified on the model/serial ID plate. The ID Plates are visibly located on the back of the appliance and on the oven door frame. These ID plates must never be removed.
- **ELECTRICAL GROUNDING REQUIRED:** See the "Electrical Requirements" section. It is the customer's responsibility to:
- Contact a qualified electrician to install the appliance
- Ensure that the electrical system is adequate and conforms with the national ANSI / NFPA 70 ELECTRICAL CODE – latest edition – or the CANADIAN ELECTRICAL CODE, C22.11 – 1 and C22.2 No. 01982 – or latest edition – and all local codes and ordinances. **IMPORTANT:** Observe all governing codes and ordinances.
- Make sure that all the appliance controls are in the OFF position before plugging the electrical cord into an outlet.
- Never modify or alter the construction of the appliance. Never remove any part of the appliance.
- Test the appliance immediately after installation, following the instructions in this booklet. If the appliance does not work properly, disconnect it from the electrical power supply and call the service center. **DO NOT** attempt to repair the appliance.
- All adjustments and servicing must be performed by qualified installers or service technicians.
- Do not leave the packing material around the home. Sort the various items of waste and take them to the nearest specialized waste collection facility.

## How to read the user manual

This user manual uses the following reading conventions:

### Installation



Information for the qualified technician: installation, operation and inspection.




Safety instructions



Information



Advice

 **CAUTION:** This unit is designed as a cooking appliance. For safety purposes, never use it for warming the room or as a space heater.

- Do not obstruct oven vents or openings for heat exhaust.
- 1. Use instruction sequence.
  - Single use instruction.

## SAVE THESE INSTRUCTIONS



## 1 Installation

### 1.1 General installation instructions

- **Proper installation is your responsibility.** Have a qualified technician install this oven. Make sure you have everything necessary for correct installation. It is the responsibility of the installer to comply with installation guidelines specified on the model/serial ID plate. The model/serial ID can be found on the internal frame of the oven when the door is opened.
- **Have your oven installed and properly grounded by a qualified installer, in accordance with these installation instructions.** Grounding is mandatory according to the provisions of the electrical system safety regulations. If this appliance is connected to an outside electrical power source, it must be grounded in compliance with local laws, or, if no local laws exist, in compliance with the national ANSI/NFPA 70 code of electrical regulations.
- Make sure that the voltage and dimensions of the supply line correspond to the information indicated on the model/serial rating plate. A multi-pole circuit breaker must be available on the supply line with contact gap equal to or greater than 3 mm, located in an easily accessible position near the appliance.
- Do not attempt to repair or replace any part of your oven unless specifically recommended in this manual. All other service procedures should be performed by a qualified technician.
- This oven is not suitable for installation and use in mobile homes or campers.
- **Electrical grounding is required.** See the "Electrical requirements" section. It is the customer's responsibility to:
  1. Contact a qualified electrical installer.
  2. Ensure that the electrical system is adequate and in compliance with the national ANSI/NFPA 70 ELECTRICAL CODE - latest edition - or the CANADIAN ELECTRICAL CODE, C22.11 - 1982 and C22.2 No. 01982 - or latest edition - and all local codes and ordinances.

**IMPORTANT:** Observe all codes and ordinances in force.

**IMPORTANT:** Save for local electrical inspector's use.



## 1.2 Electrical requirements



### Warning

#### Electrical shock hazard

- Have the electrical connection performed by authorized technical personnel.
- Frame grounded by connection of grounding lead to neutral lead. If local codes do not permit grounding through neutral, open connection and use grounding lead to ground the unit in accordance with local codes. Connect neutral lead to branch-circuit neutral lead in usual manner.
- Do not use an adaptor.
- Do not use an extension cord.
- Check with a qualified electrician if you are not sure whether the appliance is grounded.
- Turn power supply off before connecting the wires.
- The appliance must be electrically grounded prior to be connected to the power supply.
- Failure to follow these instructions can result in death, fire, or electrical shock.
- Improperly connecting the appliance's grounding lead can result in electrical shock. Check with a qualified electrician or service technician if you are in doubt as to whether the appliance is properly grounded. Do not modify the power supply cord. If it does not fit in the outlet, have a proper outlet installed by a qualified electrician.
- Disconnect the main power supply.

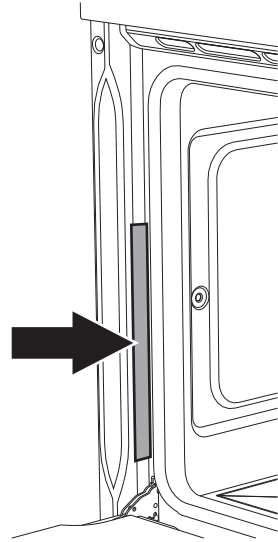


**FAILURE TO FOLLOW THESE INSTRUCTIONS COULD RESULT IN DEATH, FIRE OR ELECTRICAL SHOCK.**

EN

Make sure that the power line rating matches the specifications indicated on the ID plate. The ID Plates are visibly located on the appliance.

**These ID plates must never be removed.**



- If codes permit and a separate ground wire is used, it is recommended that the suitability of the ground path be checked by a qualified electrician.
- When a four-wire or three-wire, single-phase, 120/208-volt, 60 Hz or 120/240-volt, 60 Hz, AC-only, electrical supply is used, a 20-ampere maximum circuit protection is required. A time-delay fuse or circuit breaker is recommended.



# Installation

- Wire size and connections must conform to the requirements of the National Electrical Code, ANSI/NFPA 70 ELECTRICAL CODE (\*) – latest edition or CSA Standard C22.1-94, Canadian Electrical code, Part 1 (\*\*\*) and CSA C22.2 No. 0-91 or latest edition and all local codes and ordinances for the kilowatt rating of the appliance.

**IMPORTANT:** Observe all governing codes and ordinances.

- Copies of the standards listed above may be obtained from:
- (\*) National Fire Protection Association, One Batterymarch Park, Quincy, Massachusetts 02169-7471
- (\*\*\*) CSA International 8501 East Pleasant Valley Road Cleveland, Ohio 44131-5575.

## 1.3 Electrical connection



### Warning

#### Electrical shock hazard

- The appliance must be disconnected from the power supply during installation.
- The appliance must only be connected with the power cable provided.
- Protection against contact must be ensured by the installation.
- Electrically ground the appliance with green or green-yellow wire.



**FAILURE TO FOLLOW THESE INSTRUCTIONS COULD RESULT IN DEATH, FIRE OR ELECTRICAL SHOCK.**

This appliance is manufactured with a green or green-yellow ground wire connected to the oven chassis.

To prepare the connection between the oven and the junction box:

- Disconnect the power supply to the junction box.
- Feed the flexible cable conduit from the oven through the opening of the cabinet.
- Remove the junction box cover, if present.
- Install a UL-listed or CSA-approved conduit connector to the junction box.
- Route the flexible cable conduit from the oven to the junction box through a UL-listed or CSA-approved conduit connector.
- Tighten the screws on the conduit connector.

**IMPORTANT:** Any local codes or ordinances should be give priority over these instructions.

Frame grounded by connection of grounding wire to neutral wire. If used in the new branch circuit installation (1996 NEC) or if local codes do not permit grounding through neutral wire, open the connection and use the grounding wire to the ground unit in compliance with local codes. Connect the neutral wire to the branch circuit's neutral conductor in the usual manner:

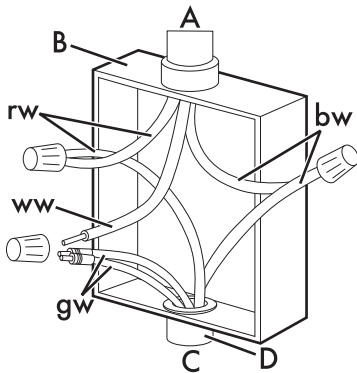
- Disconnect the ground from the neutral at the free end of the conduit.
- Use the grounding terminal or lead to ground the unit.
- Connect the neutral terminal or wire to the branch circuit neutral in the usual manner.



## U.S. Installation only / 3-wire branch circuit

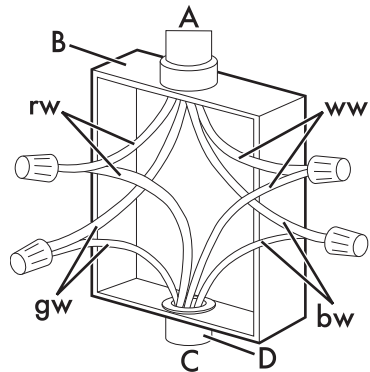
See diagram. Where local codes allow the connection of the ground wire from the oven to the power supply cable neutral wire (white wire):

- The ground wire must be connected first;
- If local codes permit, connect the green or yellow-green ground wire from the appliance and the white wire from the appliance to the power supply neutral wire (white wire).
- Connect the red and black leads from the appliance to the matching color wires in the junction box using UL/CSA listed wire connectors.



## U.S. and Canada installation / 4-wire branch circuit

- Separate the green or yellow-green wires from the white wires that extend out of the end of the appliance cable.
- The ground wire must be connected first;
- Connect the green or yellow-green ground wire from the appliance to the ground wire in the junction box (green colored wire) using UL/CSA listed wire connectors. Do not connect the grounding wire to the neutral wire in the junction box.
- Connect the red and black leads from the appliance to the matching color wires in the junction box using UL/CSA listed wire connectors.
- Connect the white wire from the appliance to the neutral white wire in the junction box using a UL/CSA listed wire connector.



|          |                                 |
|----------|---------------------------------|
| <b>A</b> | cable from power supply         |
| <b>B</b> | junction box                    |
| <b>C</b> | cable from appliance            |
| <b>D</b> | UL/CSA listed conduit connector |

|           |                             |
|-----------|-----------------------------|
| <b>bw</b> | black wires                 |
| <b>gw</b> | green or yellow-green wires |
| <b>rw</b> | red wires                   |
| <b>ww</b> | white wires                 |



# Installation

- Connect to a 20 A fuse or circuit breaker. Connect to copper wire, or, if connection is made to aluminum house wiring, use UL-listed or CSA-approved connectors approved for joining aluminum and copper wiring.



**NOTE:** Both leads coming out of the appliance must be connected according to the diagrams shown in figures.

## Fixed connection

Fit the power line with a multi-pole circuit breaker in compliance with installation regulations. The circuit breaker should be located near the appliance and in an easily reachable position.

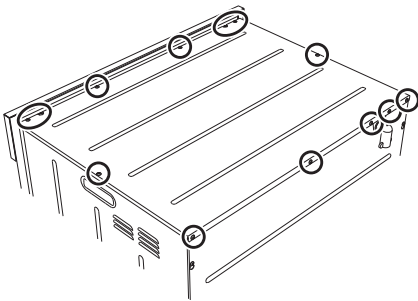
## Cable replacement



**Power voltage  
Danger of electrocution**

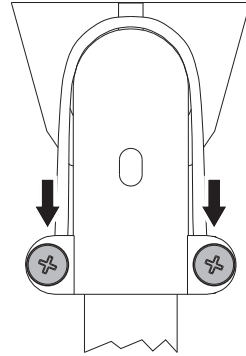
- Disconnect the main power supply.

1. Unscrew the highlighted screws in order to remove the upper casing.

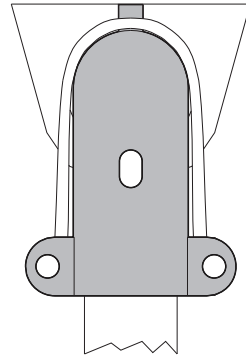


2. Disconnect the cables from the terminal block.

3. Unscrew the highlighted screws of the cable fitting.



4. Remove the protective cover from the fitting.



5. Remove the cable and replace it.
6. After replacing the cable, follow the previous instructions in reverse until the upper casing has been put back on.





## 1.4 Positioning



**Heavy appliance**  
**Danger of crushing injuries**

- Position the appliance into the cabinet cutout with the help of a second person.
- Failure to do so can result in back or other injury.



**Pressure on the open door**  
**Risk of damages to the appliance**

- When positioning the appliance during installation, do not use the door handle to lift or move this appliance.
- Never use the oven door to lever the appliance into place when fitting.
- Avoid exerting too much pressure on the oven door when the door is open.



**Heat production during appliance operation**  
**Risk of fire**

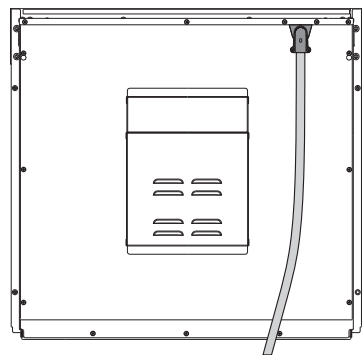
- Check that the cabinet material is heat resistant.
- Check that the cabinet has the required slots.

## Important instructions

For the best results, follow these instructions before and during the oven installation:

- Decide on the final location of the oven. Locate the existing wiring to avoid drilling into or severing wiring during installation.
- To avoid damage to the floor, place the oven on cardboard prior to installation. Do not lift by the door handle or any part of the frame or trim.
- Use the handles at the side to lift the oven.
- Remove the shipping materials and tape from the oven.
- Remove the literature contained in the package.
- Remove and set aside racks and other parts from inside the oven.
- Move the oven on the cardboard close to the oven's final location.

### Power cord position



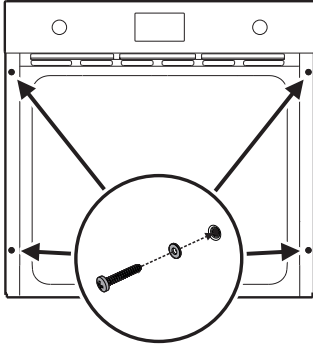
(back view)



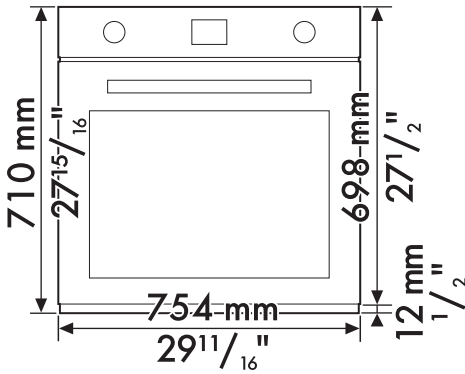
# Installation

## Mounting

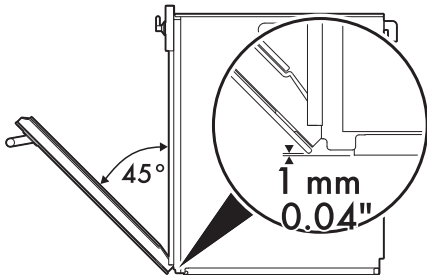
Fix the appliance to the unit by screwing the 4 screws with their washers into the holes in the frame.



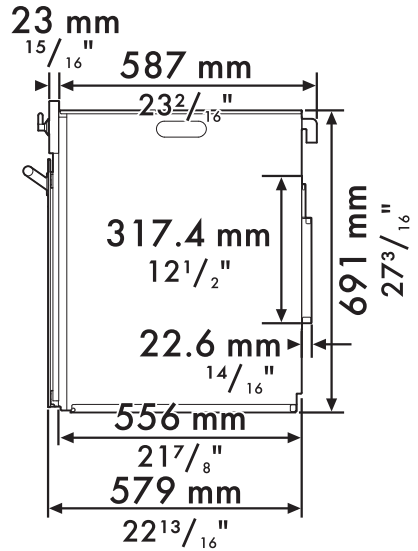
## Appliance overall dimensions



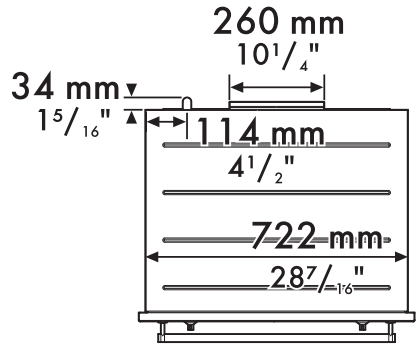
(front view)



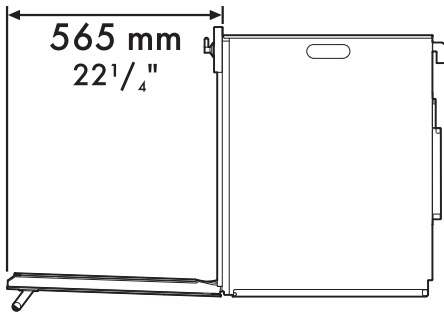
(side view)



(side view)

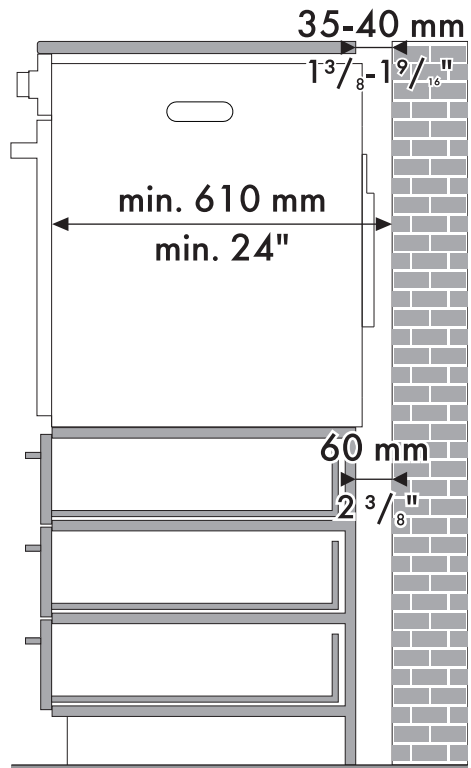



(top view)




(side view)

## Mounting into a column

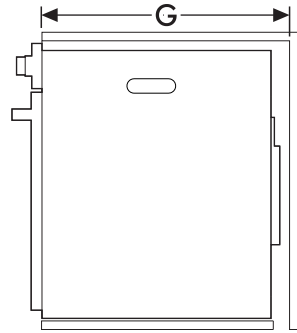
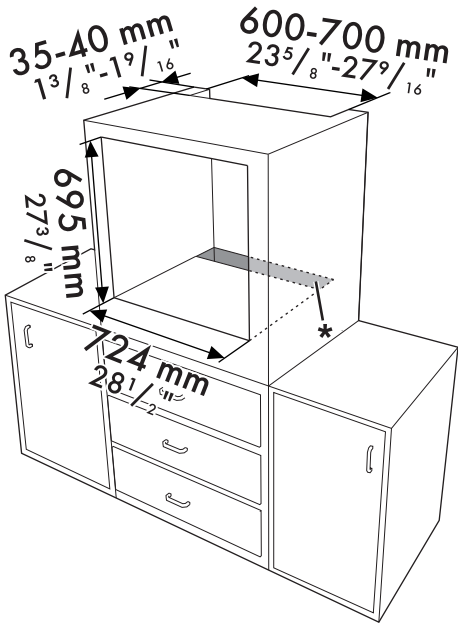


 If the cutout height is 710 mm (27 15/16") it's necessary to install the special lifting kit under the appliance, which can be purchased separately.

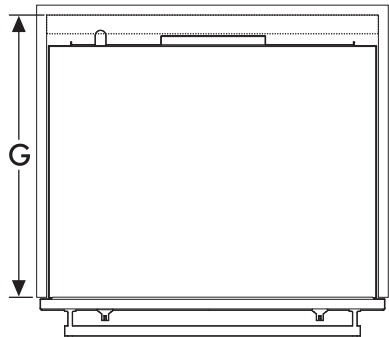
 \* Make sure that the carcass rear/bottom section has an opening approx. **60 mm** (2 3/8") deep.



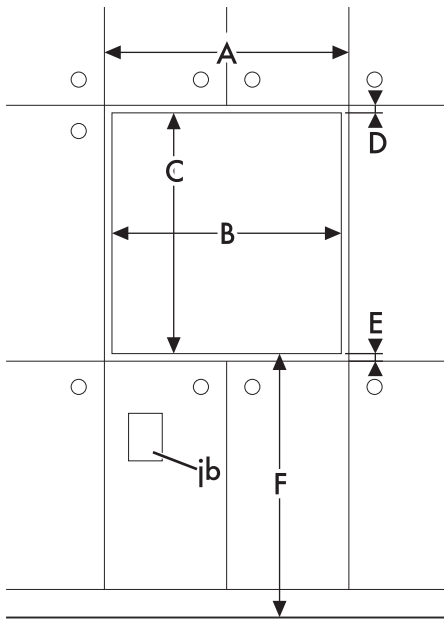
# Installation



(side view)



(top view)



(front view)

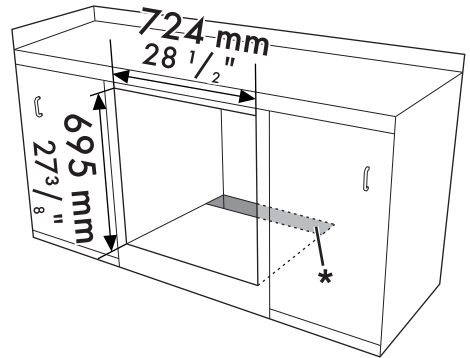
# Installation



EN

|           | mm   | in |
|-----------|--|----|
| <b>A</b>  | Width of cabinet<br>min. 758   min. 29 <sup>13</sup> / <sub>16</sub>   |    |
| <b>B</b>  | Width of cutout<br>724   29 <sup>1</sup> / <sub>2</sub>  |    |
| <b>C</b>  | Height of cutout<br>695 - 710   27 <sup>3</sup> / <sub>8</sub> - 27 <sup>15</sup> / <sub>16</sub>                    |    |
| <b>D</b>  | Top of cutout to bottom of upper cabinet door<br>9 - 11   <sup>3</sup> / <sub>8</sub> - <sup>7</sup> / <sub>16</sub> |    |
| <b>E</b>  | Top of cutout to top of lower cabinet door<br>min. 5   min. <sup>3</sup> / <sub>16</sub>                             |    |
| <b>F</b>  | Bottom of cutout to floor (recommended)<br>min. 114   min. 4 <sup>1</sup> / <sub>2</sub>                             |    |
|           | max. 880   max. 34 <sup>5</sup> / <sub>8</sub>   |    |
| <b>G</b>  | Depth of cutout<br>min. 610   min. 24  |    |
| <b>H</b>  | Bottom of countertop to bottom of cutout<br>min. 712   min. 28 <sup>1</sup> / <sub>16</sub>                          |    |
| <b>jb</b> | Recommended junction box location  |    |

## Mounting under countertop



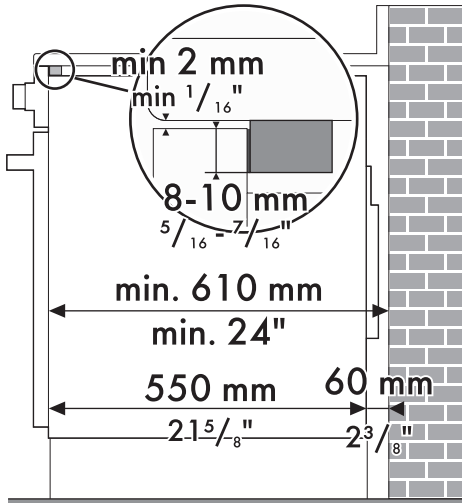
\* Make sure that the carcass rear/bottom section has an opening approx. **60 mm - 2 <sup>3</sup>/<sub>8</sub>"** deep.



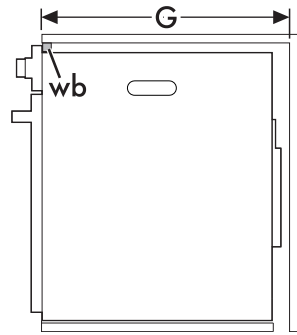
If the cutout height is 710 mm (27 <sup>15</sup>/<sub>16</sub>" ) it's necessary to install the special lifting kit under the appliance, which can be purchased separately.



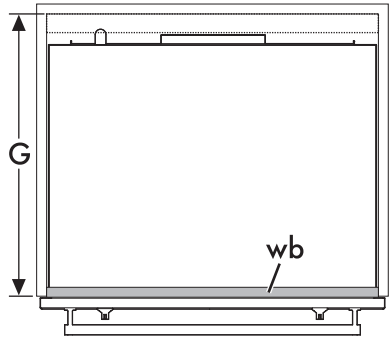
# Installation



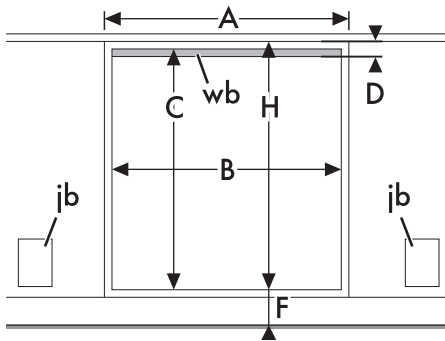
If the appliance is to be built-in under a worktop, a wooden bar has to be installed order to use the seal that is glued to the back of the front panel to prevent water or other liquids leaking in.



(side view)

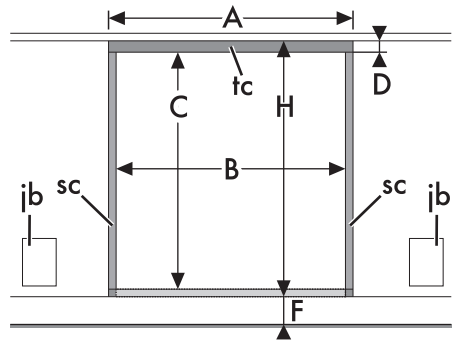


(top view)



(front view)

## Flush installation



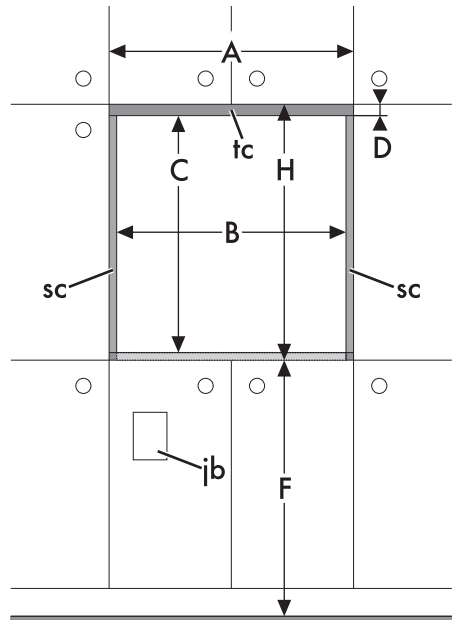
Mounting under countertop (front view)

# Installation

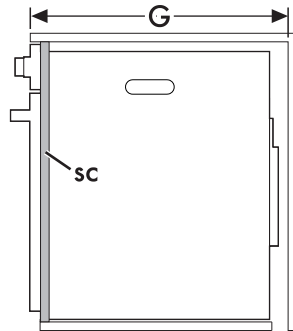


EN

|           | mm  | in |
|-----------|---|----|
| <b>A</b>  | Width of cabinet<br>min. 758   min. 29 <sup>13</sup> / <sub>16</sub>                              |    |
| <b>B</b>  | Width of cutout<br>724   29 <sup>1</sup> / <sub>2</sub>   |    |
| <b>C</b>  | Height of cutout<br>695 - 710   27 <sup>3</sup> / <sub>8</sub> - 27 <sup>15</sup> / <sub>16</sub> |    |
| <b>D</b>  | Top of cutout to bottom of upper cabinet door<br>min. 17   min. <sup>11</sup> / <sub>16</sub>     |    |
| <b>F</b>  | Bottom of cutout to floor (recommended)<br>min. 114   min. 4 <sup>1</sup> / <sub>2</sub>          |    |
|           | max. 880   max. 34 <sup>5</sup> / <sub>8</sub>  |    |
| <b>G</b>  | Depth of cutout<br>min. 610   min. 24   |    |
| <b>H</b>  | Bottom of countertop to bottom of cutout<br>min. 712   min. 28 <sup>1</sup> / <sub>16</sub>       |    |
| <b>jb</b> | Recommended junction box location   |    |
| <b>wb</b> | Wooden bar (recommended)  |    |



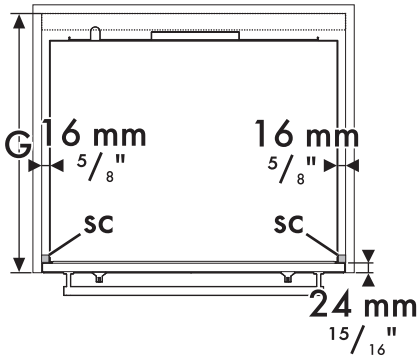
Mounting into a column (front view)



(side view)



# Installation



(top view)



Cleats and platform must be recessed **16 mm - 5/8"** from the front of the cabinet.

|    | mm   | in                                  |
|----|--|-------------------------------------|
| A  | Width of flush inset cutout<br>min. 758   min. 29 <sup>13</sup> / <sub>16</sub>                    |                                     |
| B  | Width of opening<br>726   28 <sup>9</sup> / <sub>16</sub>  |                                     |
| C  | Height of opening<br>695 - 710   27 <sup>3</sup> / <sub>8</sub> - 27 <sup>15</sup> / <sub>16</sub> |                                     |
| D  | Height of top cleat (tc)<br>min. 17   min. <sup>11</sup> / <sub>16</sub>                           |                                     |
| F  | Bottom of cutout to floor (recommended)  |                                     |
|    | min. 114   | min. 4 <sup>1</sup> / <sub>2</sub>  |
|    | max. 880   | max. 34 <sup>5</sup> / <sub>8</sub> |
| G  | Depth of cutout<br>min. 610   min. 24  |                                     |
| H  | Height of flush inset cutout<br>min. 712   min. 28 <sup>1</sup> / <sub>16</sub>                    |                                     |
| jb | Recommended junction box location  |                                     |
| sc | Side Cleat 16 mm - <sup>5</sup> / <sub>8</sub>   |                                     |
| tc | Top Cleat  |                                     |