

# Table of Contents

<b>1 Installation</b>	<b>9</b>
1.1 Product dimensions	9
1.2 Unpacking, moving and positioning the range	12
1.3 Electrical connection	13
1.4 Wall and floor attachment	14
1.5 For the installer	18

## IMPORTANT SAFETY INSTRUCTIONS



### WARNING

If the instructions contained in this manual are not followed precisely, a fire or explosion may result causing property damage, personal injury or loss of life.

INSTALLATION AND SERVICE MUST BE PERFORMED BY A QUALIFIED INSTALLER.

**IMPORTANT:** SAVE FOR THE LOCAL INSPECTOR'S USE.

### Important Notes to the Installer

- Read all instructions contained in these installation instructions before installing the range.
- Remove all packing material from the oven and the drawer compartments before connecting the electrical supply to the range.
- Observe all governing codes and ordinances. Be sure to leave these instructions with the consumer.

### Important Note to the Customer

- Keep these instructions with your owner's guide for future reference.

### Definitions

- This manual contains important safety symbols and instructions.
- Please pay attention to these symbols and follow all instructions given.



# Important Safety Instructions



## WARNING

This symbol will help alert you to situations that may cause serious bodily harm, death or property damage.



## CAUTION

This symbol will help alert you to situations that may cause injury or property damage.

## TIP OVER HAZARD



### WARNING: Tip Over Hazard

- A child or adult could tip the range over and be killed.
- Install the anti-tip device on the floor or wall as per the installation instructions.
- Engage the range with the anti-tip device as per the installation instructions.
- Ensure the anti-tip device is re-engaged when the range is moved.
- Do not operate the range without the anti-tip device in place and engaged.
- See installation instructions for details.
- Failure to follow these instructions can result in death or serious burns to children and adults.



- Check for proper installation and use of the anti-tip bracket. Carefully tip the range forward by pulling it from the back to ensure that the anti-tip bracket engages the range leg and prevents tip-over. The range should not move more than 1" (2.5cm).

To check if the anti-tip bracket is installed properly, use both arms and grasp the back edge of the range. Carefully attempt to tilt the range forward. When properly installed, the range should not tilt forward.



Refer to the anti-tip bracket installation instructions supplied with your range for proper installation.

## Appliance Handling Safety

Hidden surfaces may have sharp edges. Use caution when reaching behind or under the appliance.

- Wear gloves to avoid cutting fingers on sharp edges during installation.
- The unit is heavy and requires at least two persons or proper equipment to move it.
- Do not lift appliance by the oven door handle. Remove the oven door for easier handling and installation.
- Do not use the oven for storage.

# Important Safety Instructions



## Safety Codes and Standards

This appliance complies with one or more of the following Standards:

**UL 858 - The Standard for the safety of Household Electric Ranges**  
**CAN/CSA-C22.2 No. 61**  
**Household Cooking Ranges**

- It is the responsibility of the owner and the installer to determine whether additional requirements and/or standards apply to specific installations.
- The appliance must be electrically grounded in accordance with local codes or, in the absence of local codes, with the National Electrical Code, NFPA 70 latest edition or, in Canada, the Canadian Electric Code, CSA C22.1-02.
- Before installing the range in an area covered with linoleum or any other synthetic floor covering, make sure the floor covering can withstand heat at least 90°F above room temperature without shrinking, warping or discoloring. Do not install the range over carpeting unless you place an insulating pad or sheet of 1/4" (10,16cm) thick plywood between the range and carpeting.
- Be sure your range is installed and grounded properly by a qualified installer or service technician.

- Make sure the wall coverings around the range can withstand the heat generated by the range.



## WARNING

Never leave children alone or unattended in the area where an appliance is in use. As children grow, teach them the proper, safe use of all appliances. Never leave the oven door open when the range is unattended.



## CAUTION

Stepping, leaning or sitting on the doors or drawers of this range can result in serious injuries and can also cause damage to the range.

- Do not store items of interest to children in the cabinets above the range. Children could be seriously burned if they climb on the range to reach items.
- Do not use the oven as a storage space. This creates a potentially hazardous situation.
- Do not store or use gasoline or other flammable vapors and liquids near this or any other appliance. Explosions or fires could result.
- Never use your range for warming or heating the room. Prolonged use of the range without adequate ventilation can be dangerous.



# Important Safety Instructions

- THIS COOKTOP IS NOT REMOVABLE. Do not attempt to remove the cooktop.



## WARNING

Do not repair, replace or remove any part of the appliance unless specifically recommended in the manuals. Improper installation, service or maintenance can cause injury or property damage. Refer to this manual for guidance. All other servicing should be done by an authorized service provider.

## Electric Safety



## WARNING

Before you plug the electrical cord into an outlet, make sure that all the appliance controls are in the OFF position.

- Personal injury or death from electrical shock may occur if the appliance is not installed by a qualified installer or electrician.
- Make sure your appliance is properly installed and grounded by a qualified electrician. Installation, electrical connections and grounding must comply with all applicable codes.
- Before installing, turn power OFF at the service panel. Lock service panel to prevent power from being turned ON accidentally.

- For appliances equipped with a cord and plug, do not cut or remove the ground prong. It must be plugged into a matching grounding type receptacle to avoid electrical shock. If there is any doubt as to whether the wall receptacle is properly grounded, the customer should have it checked by a qualified electrician.
- Do not use an extension cord.
- Do not use an adapter.
- If required by the National Electrical Code (or Canadian Electrical Code), this appliance must be installed on a separate branch circuit.
- The circuit breaker should have a contact separation of at least 3 mm on all poles.
- INSTALLER – show the owner the location of the circuit breaker or fuse. Mark it for easy reference.
- Refer to rating label for more information.

## Proposition 65 Warning:

This product may contain a chemical known to the State of California, which can cause cancer or reproductive harm. Therefore, the packaging of your product may bear the following label as required by California:

### State of California Proposition 65



## WARNING

Cancer or Reproductive Harm -  
[www.P65Warnings.ca.gov](http://www.P65Warnings.ca.gov)

# Important Safety Instructions



EN

## Related Equipment Safety

- The appliance should only be used if installed by a qualified technician in accordance with these installation instructions and all applicable regulations and codes. The manufacturer is not responsible for damages resulting from incorrect installation.
- Remove all tape and packaging before using the appliance. Dispose of the packaging after unpacking the appliance. Never allow children to play with packaging material.
- Never modify or alter the construction of the appliance. For example, do not remove leveling legs, panels, wire covers or anti-tip brackets/screws.
- To eliminate the risk of burns or fire by reaching over hot surface units, cabinet storage space located above the surface units should be avoided. If cabinet storage is to be provided, the risk can be reduced by installing a hood that projects horizontally a minimum of 5 inches (127 mm) beyond the bottom of the cabinet. Be sure cabinets above the cooktop are a maximum of 13" (330 mm) deep.
- When installing a cooktop over a single oven, be sure to follow both the oven and cooktop installation manuals.

## Ventilation Recommendations

- Do not obstruct air vents or heat vent openings.
- We strongly recommend the installation of a ventilation hood above this appliance. The hood must be installed according to the instructions provided with the hood.
- Do not obstruct the flow of combustion air at the oven vent nor around the base or beneath the lower front panel of the range. Avoid touching the vent openings or nearby surfaces as they may become hot while the oven is in operation.
- Air curtains or other overhead range hoods, which operate by blowing air downwards onto a range, shall not be used in conjunction with gas ranges other than when the hood and range have been designed, tested and listed by an independent test laboratory for use in combination with each other.



## CAUTION

The appliance should not be installed with a ventilation system that blows air downward toward the cooktop. This type of ventilation system may cause ignition and combustion problems with the gas cooking appliance and may result in personal injury or unintended operation.



# Important Safety Instructions

## High altitude installation

- This appliance can operate up to an altitude of 10,000 ft. (3048 m.) elevation above sea level. If desired, for altitudes above 2,000 ft (610 m) elevation above sea level, adjustments may be made.
- It is required that a Certified Professional make the high altitude adjustments during installation.



## WARNING

If the information in this manual is not followed exactly, fire or shock may result causing property damage or personal injury.

- Improper installation is not covered by the warranty.

## How to read the user manual

This user manual uses the following reading conventions:

### Installation



Information for the qualified technician: installation, operation and inspection.



Safety instructions



Information



Advice

1. Use instruction sequence.
- Single use instructions.

**SAVE THESE INSTRUCTIONS**

# Important Safety Instructions

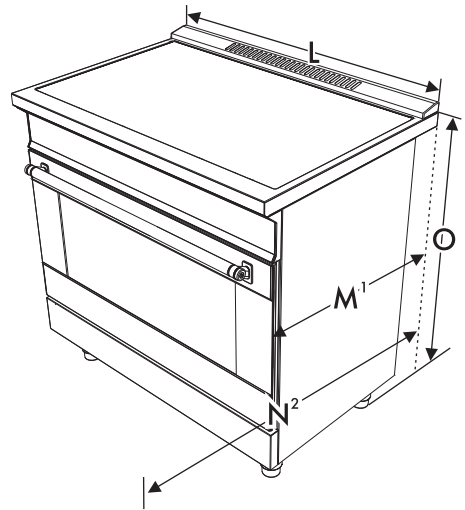
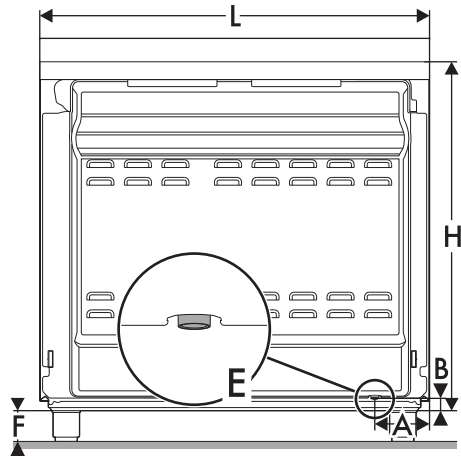


EN

## 1 Installation

### 1.1 Product dimensions

Overall dimensions: Location of electrical connection point.



<b>A</b>	5 1/8"	130 mm
<b>B</b>	1 1/8"	29 mm
<b>F</b>	min. 3 1/4" Max. 4 7/16"	min. 83 mm Max. 113 mm
<b>H</b>	31 7/8"	809 mm
<b>L</b>	35 15/16"	912.4 mm

**E** = Electrical connection

<b>L</b>	35 15/16"	912.4 mm
<b>M<sup>1</sup></b>	min. 24 5/8" Max. 25"	min. 626 mm Max. 630 mm
<b>N<sup>2</sup></b>	42 13/16"	1088 mm
<b>O</b>	min. 35 1/8" Max. 36 5/16"	min. 892 mm Max. 922 mm

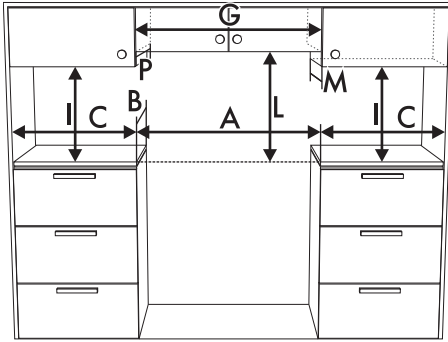
<sup>1</sup> Measurement **M** varies according to the model: the minimum is obtained without the rear spacers (see "Island installation") and the maximum is obtained for traditional installation (slot-in installation - with the rear spacers).

<sup>2</sup> Measurement **N** refers to the open door.



# Installation

## Cabinet clearances



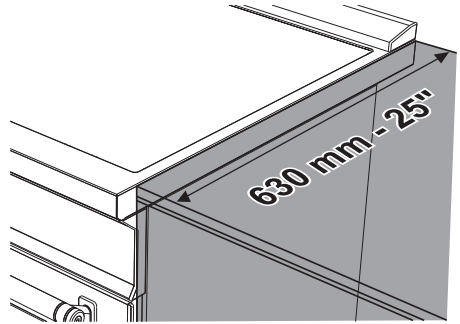
<b>A</b>	36"	914 mm
<b>B</b>	25"	630 mm
<b>C<sup>1</sup></b>	20"	508 mm
<b>G<sup>2</sup></b>	min. 36"	min. 914 mm
<b>I<sup>3</sup></b>	18"	457 mm
<b>L</b>	see notes below	
<b>M<sup>4</sup></b>	13"	330 mm
<b>P<sup>4</sup></b>	13"	330 mm

Clearance **L** can have the following values:

- **L = 30" (762 mm)** min. minimum clearance between the top of the cooking surface and the bottom of an unprotected wood or metal cabinet.
- **L = 24" (610 mm)** minimum when the bottom of wood or metal cabinet is protected by not less than 1/4-inch-thick flame-retardant millboard covered with not less than No. 28 MSG sheet steel, 0.015-inch-thick stainless steel, 0.024-inch-thick aluminum, or 0.020-inch-thick copper. Clearances from non-combustible materials are not part of the ANSI Z21.1 scope and are not certified by CSA. Clearances of less than 30" should be approved by the local codes and/or by the local authority having jurisdiction.

- 1 min. clearance from the sides of range to side wall or other combustible material;
- 2 min. cabinet opening width;
- 3 upper cabinet to countertop;
- 4 max. upper cabinet depth.

The side cabinet depth (clearance **B**) must match the front edge of the range side panel.



The distance between the appliance and the rear wall below the worktop is zero.



The distance between the appliance and the side cabinets below the worktop is zero.

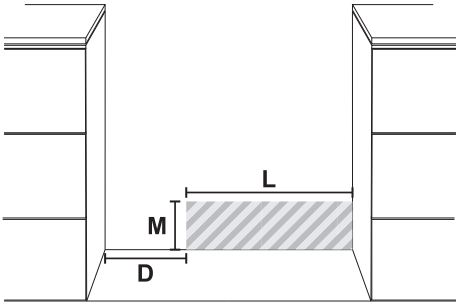


Any opening in the wall behind the appliance and in the floor under the appliance shall be sealed.



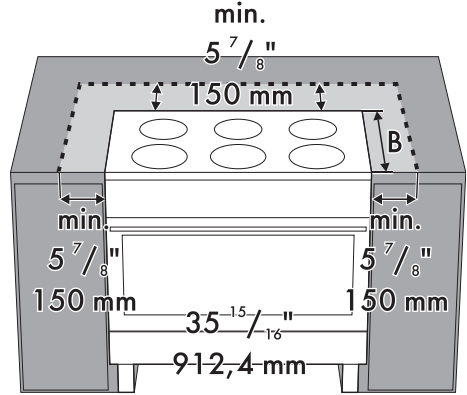


## Location of the electric outlet

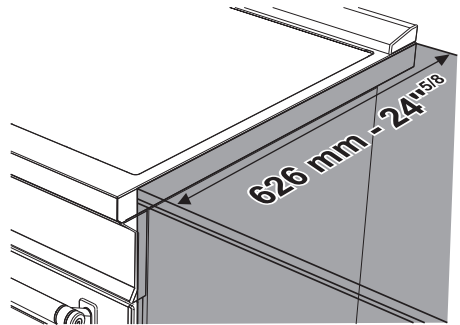


<b>D</b>	min. 11 <sup>7</sup> / <sub>8</sub> "	Min. 300 mm
<b>M</b>	min. 2"	min. 51 mm
	Max. 9 <sup>7</sup> / <sub>8</sub> "	Max. 250 mm
<b>L</b>	min. 11 <sup>7</sup> / <sub>8</sub> "	min. 300 mm
	Max. 24 <sup>2</sup> / <sub>8</sub> "	Max. 614 mm

Keep a minimum clearance of 5 <sup>7</sup>/<sub>8</sub>" (150 mm) between the appliance and the other furnishings or decorative elements according to the diagram below.



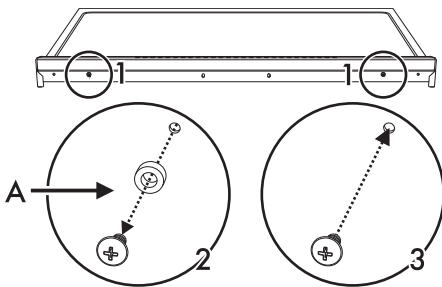
The side cabinet depth (clearance **B**) must match the front edge of the range side panel.



## Island installation

If the appliance is installed as an island:

1. Unscrew the screws shown.
2. Remove the spacers (**A**).
3. Replace the screws that were previously removed.





# Installation

## 1.2 Unpacking, moving and positioning the range

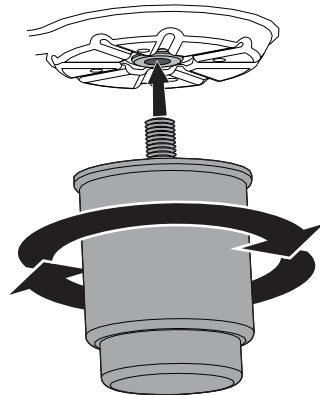


### CAUTION

This unit is designed as a cooking appliance. For safety reasons, never use it for warming the room or as a space heater.

- When positioning the appliance during installation, do not use the door handle to lift or move this appliance.
- Remove the outer carton and packing material from the shipping base.
- Remove angle-mounting brackets from the range.
- Due to its weight, a dolly/fork lift with soft rubber tread wheels should be used to move this unit. The weight must be supported uniformly across the bottom.
- The floor under the legs should be protected (wood, strips, carpet, paneling, etc.) before pushing the unit into position.
- The anti-tip device must be installed, and the electrical connection should be made before the range is placed in its final position.

- Legs should be installed near to where the appliance will be used as they are not secure for long transit. Keep the unit raised so that the legs can be screwed into their couplings, then lower the range gently to prevent the legs and mounting hardware from being subject to any undue strain. Instead of tilting the unit, it is recommended that a pallet or lift jack be used.
- After making the electrical connection, screw on the four feet supplied with the appliance.

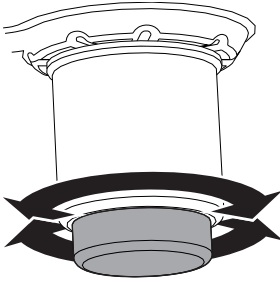


**NOTE:** First insert the front feet and then the rear ones.



The appliance must sit level on the floor to ensure stability:

- Screw or unscrew the bottom part of the foot until the appliance is stable and level on the floor. The adjustment range of the screw is 1.18" (30 mm).



**NOTE:** this appliance must only use the specific leveling legs provided by the manufacturer.

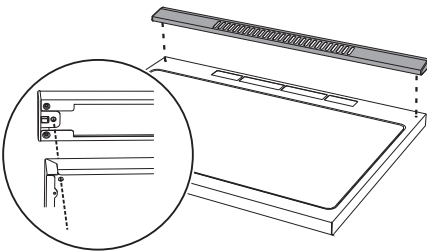
## Assembling the backguard



The backguard provided is an integral part of the product; it must be fastened to the appliance prior to installation.

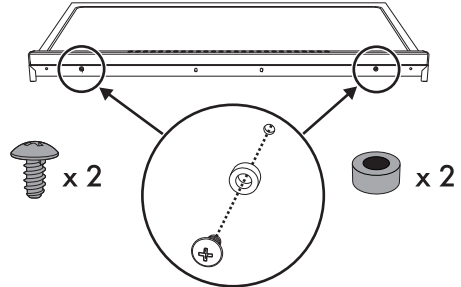
The backguard must always be positioned and secured correctly on the appliance.

1. Position the backguard above the top, taking care to align the holes.



2. Secure the backguard to the top by tightening screws.

3. Once you have fixed the backguard to the appliance, you must insert the screws and spacers provided that are necessary for the slot-in installation.



## 1.3 Electrical connection



# WARNING

### Electrical shock hazard



- This appliance is equipped with a four-prong grounding plug for your protection against electric shock and should

be plugged directly into a properly grounded receptacle. Do not cut or remove the grounding prong from this plug.

- Failure to do any of the above could result in a fire, personal injury or electrical shock.



# Installation



## WARNING

### Electrical shock hazard

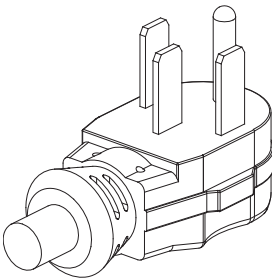
- Disconnect the electrical supply before servicing the appliance
- It is the personal responsibility of the consumer to have the appropriate outlet or junction box with the correct, properly grounded wall receptacle installed by a qualified electrician. It is the responsibility and obligation of the consumer to contact a qualified installer to ensure that the electrical installation is suitable and in conformance with all local codes and ordinances.



## CAUTION

Do not use multiple outlets, extension cords or adapters.

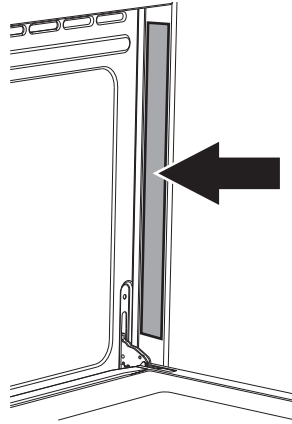
This range is equipped with a factory-connected power cord. The cord must be connected to a grounded 120/240 volt or 120/208 volt outlet. If no outlet is available, have one installed by a qualified electrician.



See the rating plate for technical specifications.

The rating plate is visibly located on the right side of the oven door frame.

**This ID plate must never be removed.**



## 1.4 Wall and floor attachment



## WARNING

### Electrical shock hazard



- Use extreme caution when drilling holes in the wall or floor. There may be concealed electrical wiring behind the wall or under the floor.
- Identify the location of the electrical circuits that could be affected by the installation of the anti-tip device, then turn off power to these circuits.
- Failure to follow these instructions may result in electrical shock or other personal injury.



## CAUTION

- Contact a qualified installer or contractor to determine the proper method for drilling holes through the wall or floor material (such as ceramic tile, hardwood, etc.)
- Failure to follow these instructions may result in damage to wall or floor coverings.



## WARNING

Visually check from the inside of the drawer that the wall/floor-mounted bracket is inserted into the appropriate lateral hook (left side).



Hazard

## WARNING: Tip Over

- A child or adult could tip the range over and be killed.
- Install the anti-tip device on the floor or wall as per the installation instructions.
- Engage the range with the anti-tip device as per the installation instructions.
- Ensure the anti-tip device is re-engaged when the range is moved.
- Do not operate the range without the anti-tip device in place and engaged.
- See installation instructions for details.
- Failure to follow these instructions can result in death or serious burns to children and adults.

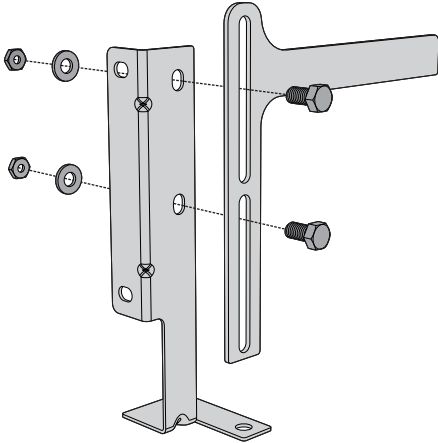




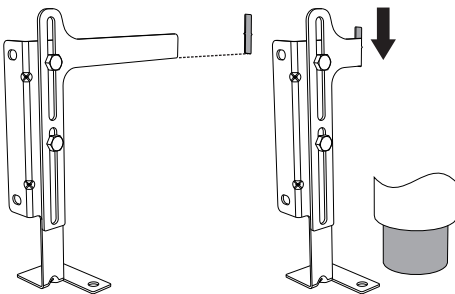
# Installation

## Installing the anti-tip bracket

1. Ensure that the electrical connection is in the correct position.
2. Assemble the bracket.



3. Align the base of the hook of the bracket with the base on the slot of the rear wall fastening bracket. Align the base of the fastening bracket with the floor and tighten the screws to fix the measurements.

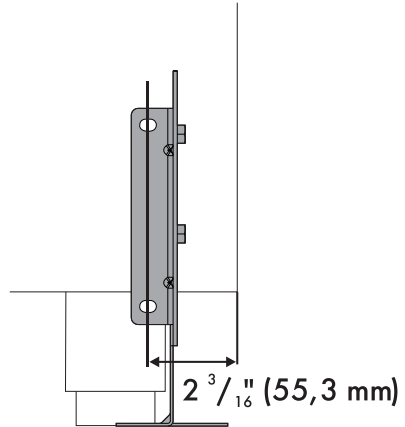


4. For wall mounting, go to steps 5, 6, 9 and 10. For floor mounting, to steps 7, 8 and 10.

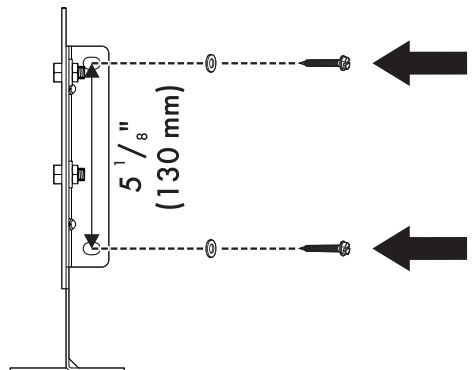


**NOTE:** The wall attachment is recommended if the appliance is placed against a wall. Floor attachment is recommended in case of island installation.

5. Use the specified distance from the side of the appliance to the bracket holes.

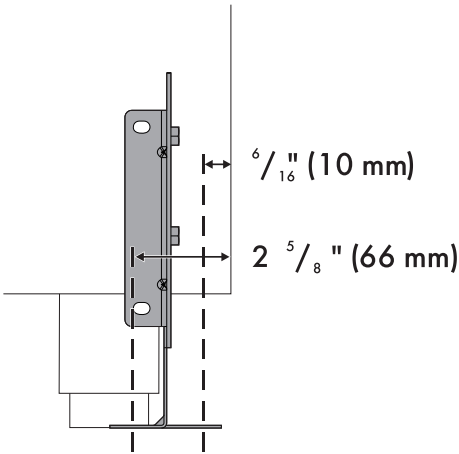


6. Move the bracket to the wall and fix with the two washers and screws. A qualified technician must verify the suitability of the materials in accordance with the type and condition of the wall.

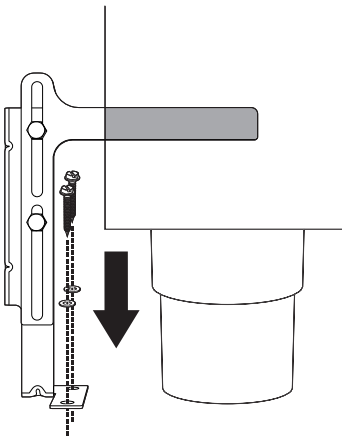




7. Use the following distances for the distance from the side of the appliance to the bracket holes.



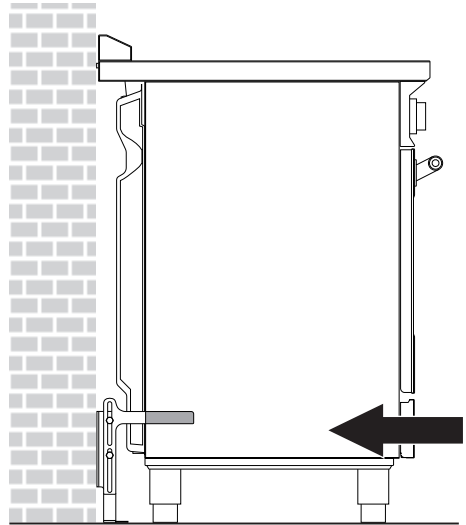
8. After having positioned and leveled the appliance, move the bracket close to the rear of the appliance and anchor it to the floor using the two washers and screws. A qualified technician must verify the suitability of the materials in accordance with the type and condition of the floor.



## WARNING

The rear vent trim has  $3/16$ " (5 mm) standoffs to keep the appliance slightly away from the back wall. Do not remove or tamper with standoffs due to potential temperature issues.

9. Push the cooker towards the wall, and at the same time, insert the bracket in the plate that is fastened to the rear of the appliance.

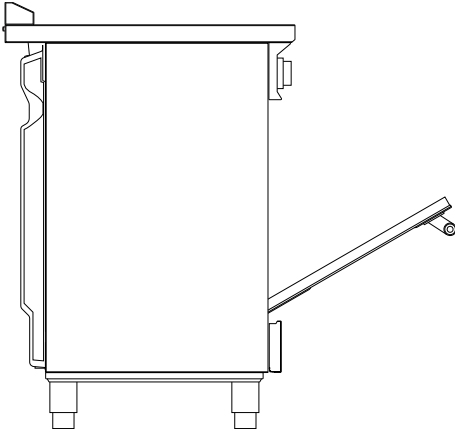


10. Check for proper installation and use of the anti-tip bracket. Carefully tip the range forward by pulling it from the back to ensure that the anti-tip bracket engages the range leg and prevents tip-over. The range should not move more than 1" (2.5cm).



## Door removal

It is not necessary to remove the door in order to install the range, but is an added convenience. Refer to the Use and Care Guide for the oven door removal instructions.



### 1.5 For the installer

- The plug must remain accessible after the installation is complete. Do not kink or trap the mains connection cable.
- The appliance must be fitted according to the installation diagrams.
- When satisfied with the appliance, please instruct the user on the correct method of operation.
- In case the appliance fails to operate correctly after all checks have been carried out, refer to the Authorized Assistance Center in your area.
- LEAVE THESE INSTRUCTIONS WITH APPLIANCE AFTER INSTALLATION IS COMPLETE.