

MANUALE D'USO

FRIGORIFERO

IT

INSTRUCTION MANUAL

REFRIGERATOR

EN

MANUEL D'UTILISATION

RÉFRIGÉRATEUR

FR

GEBRAUCHSANWEISUNG

KÜHLSCHRANK

DE

GEBRUIKSAANWIJZING

KOELKAST

NL

MANUAL DE USO

FRIGORÍFICO

ES

MANUAL DE UTILIZAÇÃO

FRIGORÍFICO

PT

BRUKSANVISNING

KYLSKÅP

SV

РУКОВОДСТВО ПО ЭКСПЛУАТАЦИИ

ХОЛОДИЛЬНИК

RU

BRUGERVEJLEDNING

KØLESKAB

DA

INSTRUKCJA UŻYTKOWNIKA

CHŁODZIARKA

PL

KÄYTTÖOPAS

JÄÄKAAPPI

FI

BRUKSANVISNING

KJØLESKAP

NO

 smeg

Contents

1	Instructions	28
1.1	General safety instructions	28
1.2	Manufacturer liability	29
1.3	Appliance purpose	29
1.4	Disposal	29
1.5	Identification plate	30
1.6	This user manual	30
1.7	How to read the user manual	30
1.8	Daily use instructions	31
2	Description	32
2.1	General description	32
2.2	Multi-Temperature Zone	33
2.3	Control panel	34
3	Use	35
3.1	Instructions	35
3.2	Preliminary operations	35
3.3	First use	35
3.4	Using the accessories	36
3.5	Using the control panel	37
3.6	Using the refrigerator compartments	41
3.7	Temperature setting recommendation	42
3.8	Impact on food storage	42
3.9	Food storage advice	42
4	Cleaning and maintenance	45
4.1	Instructions	45
4.2	Cleaning the appliance	45
4.3	Defrosting	45
4.4	Trouble shooting...	46
5	Installation	47
5.1	Electrical connection	47
5.2	Positioning	47

We advise you to read this manual carefully, which contains all the instructions for maintaining the appliance's aesthetic and functional qualities.

For further information on the product: www.smeg.com



Instructions

1 Instructions

1.1 General safety instructions

Risk of personal injury

- Never touch the heating elements during use.
- Keep children under eight years of age at a safe distance if they are not constantly supervised.
- Children must never play with the appliance.
- Switch the appliance off immediately after use.
- Never try to put out a fire or flames with water: turn off the appliance and smother the flames with a fire blanket or other appropriate cover.
- The appliance must never be cleaned by unsupervised children.
- Have qualified personnel carry out installation and assistance interventions according to the standards in force.
- Do not modify this appliance.
- Do not insert pointed metal objects (cutlery or utensils) into the slots in the appliance.
- Do not try to repair the appliance yourself or without the intervention of a qualified technician.

- If the power supply cable is damaged, contact technical support immediately and they will replace it.

Risk of damaging the appliance

- Never place sharp metallic objects such as knives, forks, spoons and lids on the appliance during use.
- Do not use abrasive or corrosive detergents on glass parts (e.g. powder products, stain removers and metallic sponges).
- Do not sit on the appliance.
- Do not use steam jets for cleaning the appliance.
- Do not obstruct ventilation openings and heat dispersal slots.
- Do not use electrical appliances inside food storage compartments unless these are of the type recommended by the manufacturer.
- Do not use the appliance to cool rooms for any reason.
- Always disconnect the appliance from the power grid in the event of a breakdown, maintenance, when replacing the light bulb or during cleaning.



For this appliance

- Ensure that the appliance is switched off and disconnected from the power supply network before replacing the bulb.
- Do not rest any weight or sit on the open door.
- Take care that no objects are stuck in the doors.
- The appliance contains a small quantity of isobutane (R600a), make sure not to damage the cooling circuit during transport, installation and cleaning.
- In the event of damage to the cooling circuit, avoid the use of naked flames and ventilate the area properly.

1.2 Manufacturer liability

The manufacturer declines all liability for damage to persons or property caused by:

- use of the appliance other than the one envisaged;
- non-observance of the user manual provisions;
- tampering with any part of the appliance;
- use of non-original spare parts.

1.3 Appliance purpose

- This appliance is for refrigeration and conservation of fresh and frozen foods in the home. Every other use is considered improper.

- This appliance may be used by children aged at least 8 and by people of reduced physical and mental capacity, or lacking in experience in the use of electrical appliances, as long they are supervised or instructed by adults who are responsible for their safety.
- The appliance is not designed to operate with external timers or with remote-control systems.

1.4 Disposal



This appliance must be disposed of separately from other waste (Directives 2002/95/EC, 2002/96/EC, 2003/108/EC). The appliance does not contain substances in quantities sufficient to be considered hazardous to health and the environment, in accordance with current European directives.

To dispose of the appliance:

- Cut the power supply cable and remove it along with the plug.



Power voltage Danger of electrocution

- Disconnect the main power supply.
- Disconnect the power cable from the electrical system.
- Consign the appliance to the appropriate selective collection centres for electrical and electronic equipment waste, or deliver it back to the retailer when purchasing an equivalent product, on a one for one basis.



Instructions

Our appliances are packed in non-polluting and recyclable materials.

- Consign the packing materials to the appropriate selective collection centres.



Plastic packaging Danger of suffocation

- Do not leave the packaging or any part of it unattended.
- Do not let children play with the packaging plastic bags.

1.5 Identification plate

The identification plate bears the technical data, serial number and brand name of the appliance. Do not remove the identification plate for any reason.

1.6 This user manual

This user manual is an integral part of the appliance and must therefore be kept in its entirety and in an accessible place for the whole working life of the appliance.

Read this user manual carefully before using the appliance.

1.7 How to read the user manual

This user manual uses the following reading conventions:

Instructions



General information on this user manual, on safety and final disposal.

Description



Description of the appliance and its accessories.

Use



Information on the use of the appliance and its accessories, cooking advice.

Cleaning and maintenance



Information for proper cleaning and maintenance of the appliance.

Installation



Information for the qualified technician: installation, operation and inspection.



Safety instructions



Information



Advice

1. Use instruction sequence.

- Single use instruction.



1.8 Daily use instructions

- Do not put hot food on the plastic parts in the appliance.
- Do not place food products directly against the rear wall.
- Frozen food must not be re-frozen once it has been thawed out.*
- Store pre-packed frozen food in accordance with the frozen food manufacture's instructions.*
- Appliance's manufactures storage recommendations should be strictly adhered to refer to relevant instructions.
- Do not place carbonated or fizzy drinks in the freezer compartment as it creates pressure on the container, which may cause it to explode, resulting in damage to the appliance.*
- Ice lollies can cause frost burns if consumed straight from the appliance. *
- To avoid contamination of food, please respect the following instructions.
- Opening the door for long periods can cause a significant increase of the temperature in the compartments of the appliance.
- Clean regularly surfaces that can come in contact with food and accessible drainage systems.
- Clean water tanks if they have not been used for 48h; flush the water system connected to a water supply if water has not been drawn for 5 days.
- Store raw meat and fish in suitable containers in the refrigerator, so that it is not in contact with or drip onto other food.
- Two-star frozen-food compartments (if they are presented in the appliance) are suitable for storing pre-frozen food, storing or making ice-cream and making ice cubes.
- One-, two- and three -star compartments (if they are presented in the appliance) are not suitable for the freezing of fresh food.
- If the appliance is left empty for long periods, switch off, defrost, clean, dry and leave the door open to prevent mould developing within the appliance.

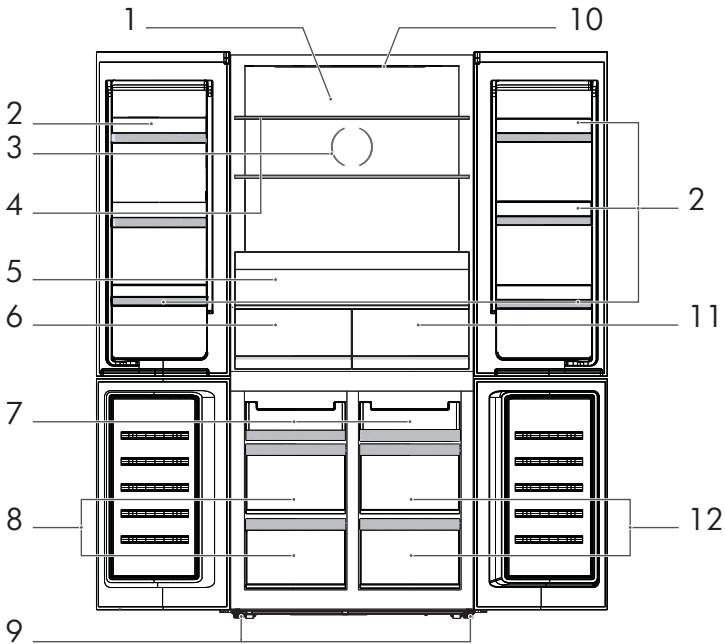
* If there is a freezer compartment



Description

2 Description

2.1 General description



1 Metal air duct

2 Door balcony

3 Catalyst sterilization device

4 Refrigerator shelves

5 Crisper zone

6 High moisture drawer

7 Sliding tray

8 Freezer drawer

9 Levelling feet

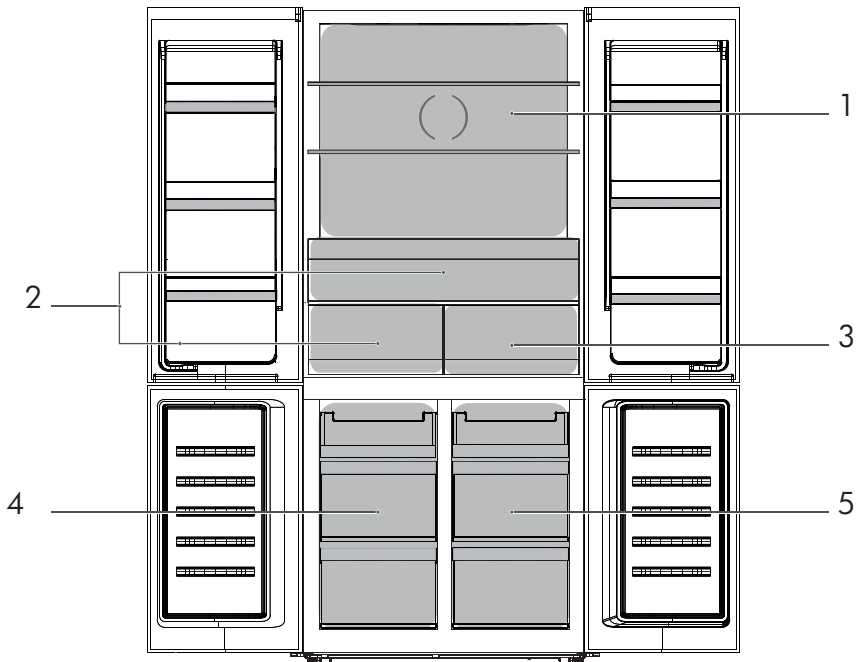
10 LED light

11 Fresh zone (Zero Star Zone)

12 Convertible zone (Multizone)



2.2 Multi-Temperature Zone



1 Fridge temp. $2^{\circ}\text{C}\sim 8^{\circ}\text{C}$ / Off
Controlled by operating display panel

2 Fresh temp. $2^{\circ}\text{C}\sim 8^{\circ}\text{C}$

3 Fresh zone (Zero Star Zone) temp. 3°C ,
 0°C , -3°C

4 Freezer temp. $-22^{\circ}\text{C}\sim -14^{\circ}\text{C}$
Controlled by operating display panel

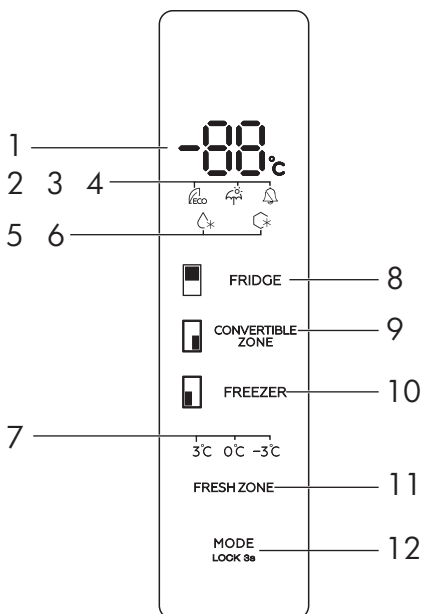
5 Convertible zone (Multizone) temp.
 $-20^{\circ}\text{C}\sim 5^{\circ}\text{C}$ /Off

Controlled by operating display panel



Use

2.3 Control panel



Function icon:

- 1 Setting temperature
- 2 ECO mode
- 3 Holiday mode
- 4 Silent mode
- 5 Quick cooling mode
- 6 Super freezing mode
- 7 Fresh zone (Zero Star Zone) Temp. Setting

Key operation:

- 8 Fridge temp. setting
- 9 Convertible zone (Multizone) temp. setting
- 10 Freezer temp. setting
- 11 Fresh zone (Zero Star Zone) temp. setting
- 12 Mode setting, Locking/Unlocking setting



3 Use

3.1 Instructions



Improper use Risk of damages to the appliance

- Do not use sharp objects when removing ice and frost in order not to damage the appliance's walls.
- Do not sit or lean on the door or any open drawers.
- Do not touch the heating elements on the outside of the appliance.
- Do not store inflammable, explosive or volatile substances.
- Organic compounds, acids and essential oils can corrode the seals and plastic surfaces if left in contact with them for extended periods.
- Bottles containing strong alcoholic drinks must be tightly closed and stored vertically.

3.2 Preliminary operations

1. Remove any protective film from the outside or inside of the appliance, including accessories.
2. Remove any labels (apart from the technical data plate) from the accessories and shelves.
3. Remove and wash all the appliance accessories (see 3.7 Temperature setting recommendation).

3.3 First use

Freezing fresh food

The freezer compartment is suitable for freezing fresh food and storing frozen and deep-frozen food for long time.

Place the fresh food to be frozen in the freezer compartment.

The maximum amount of food that can be frozen in 24 hours is specified on the rating plate. The freezing process lasts 24 hours: during this period do not add other food to be frozen.

Storing frozen food

When first starting-up or after a period out of use, before putting the product in the compartment let the appliance run at least 2 hours on the higher settings.



In the event of accidental defrosting, for example the power has been off for longer than the value shown in the technical characteristics chart under "rising time", the defrosted food must be consumed quickly or cooked immediately and then re-frozen (after cooked).



Thawing

Deep-frozen or frozen food, prior to be used, can be thawed in the fridge compartment or at room temperature, depending on the time available for this operation.

Small pieces may even be cooked still frozen, directly from the freezer. In this case, cooking will take longer.

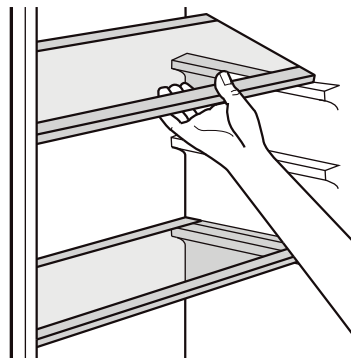
Ice-cube

This appliance may be equipped with one or more ice-cube tray to produce ice.

3.4 Using the accessories

Movable shelves

The walls of the refrigerator are equipped with a series of runners so that the shelves can be positioned as desired.



Positioning the door balconies

To permit storage of food packages of various sizes, the door balconies can be placed at different heights. To make these adjustments proceed as follows: gradually pull the balcony in the direction of the arrows until it comes free, then reposition as required.





3.5 Using the control panel

Initial power-on state

The display will be fully lit for 3 seconds, display and operate according to the status (mode, set temperature) before power off.

Locking / Unlocking

1. Unlock

In the locked state, keep pressing the (12) key until you hear a long beep from the buzzer and then release it, and the display will be unlocked. In the unlocked state, you can hear the buzzer “ding” by clicking any button. The button responds with a sound and performs corresponding temperature or function switching.

2. Lock

In the unlocked state, keep pressing the (12) key until you hear a long beep from the buzzer and then release it, and the display will be locked. In the locked state, you can hear the buzzer “ding ding” by clicking any button, the key operation will not be executed.

Mode selection

In the unlocked state, press the (12) key continuously, and the working mode of the refrigerator will cycle between “ECO-Holiday-Silent-Quick Cooling- Super freezing -User Setting Mode (no mode icon displayed)”.

1. ECO mode

Press the (12) key to select ECO mode, and the ECO mode icon lights up; In ECO mode, the set temperature of the refrigerator compartment is 5°C, and the set temperature of the freezer compartment is -18°C; exit the ECO mode (you can exit the ECO if any of the following conditions are met):

- Press (12) key in unlocked state to switch to other modes.
- In the unlocked state, press (8) or (10) to adjust the set temperature of the refrigerator or freezer, and it will enter the user-set mode.



2. Holiday mode

You can choose this mode when you go on vacation. This mode can ensure the basic cooling needs of the refrigerator and take into account the energy saving effect.

Press the (12) key to select holiday mode, and the holiday mode icon lights up.

In holiday mode, the set temperature of the refrigerator compartment is 8°C, and the set temperature of the freezer compartment is -15°C; exit holiday mode (you can exit holiday mode if any of the following conditions are met):

- In unlocked state, press the (12) key to switch to other modes.
- In unlocked state, press (8) or (10) to adjust the set temperature of the refrigerator or freezer, and it will enter the user-set mode.

3. Silent mode

You can use this mode when you want to reduce the operating noise of the refrigerator.

Press the (12) key to select silent mode, and the silent mode icon lights up.

- In silent mode: the refrigerator automatically reduces operating noise.
- Exit silent mode: Press (12) key in unlocked state to switch to other modes.



To ensure the basic performance of the refrigerator, the silent mode will be temporarily exited when the ambient temperature is too high or the load temperature in the refrigerator is too high. When the ambient temperature and load temperature in the box return to normal, the silent mode will be automatically restored.



4. Quick cooling mode

You can use this mode when you want the food that has just been placed in the refrigerator to cool down quickly.

In the quick cooling mode, the set temperature of the refrigerator compartment is 2°C; Exit quick cooling mode (you can exit quick cooling mode if any of the following conditions are met):

- Press (12) key in unlocked state to switch to other modes.
- Quick cooling time reaches 6 hours.
- Press (8) button to adjust the set temperature of the refrigerator compartment in the unlocked state, and it will enter the user-set mode.

5. Super freezing mode

You can use this mode when you want the food that has just been placed in the freezer to be frozen quickly.

In Super freezing mode, the set temperature of the freezer compartment of the refrigerator is -24°C.

Exit Super freezing mode (you can exit Super freezing mode if any of the following conditions are met):

- Press (12) key in unlocked state to switch to other modes.
- Super freezing time reaches 50 hours.

- In the unlocked state, press the (10) key to adjust the freezer compartment temperature setting, and it will enter the user-set mode.



After the freezer exits the Super freezing mode, it operates according to the set temperature and mode before entering the Super freezing mode.

- If the user needs to put a large amount of fresh food into the freezer at one time, please turn on the Super freezing function 24 hours in advance, and it is recommended that the amount of fresh food put into the freezer at one time should not be too much.

6. User-set mode (no mode icon displayed)

In the "user setting" mode, the Fridge, Convertible zone (Multizone) temperature, and freezer temperatures can be freely adjusted according to the following rules.

Refrigerator temperature adjustment (press (8) key).

- In the user-set mode, press the (8) button continuously, and the set temperature of the refrigerator will change cyclically between "2°C to 8°C". After selection, it will light up for 5 seconds and then be confirmed.

Convertible zone (Multizone) temperature adjustment (press (9) key).



- In the user self-setting mode, press the (9) button continuously, and the set temperature of the Convertible zone (Multizone) will change cyclically between "5°C to -20°C". After selection, it will light up for 5 seconds and then be confirmed.

Freezer temperature adjustment (press (10) key).

- In the user self-setting mode, press the (10) key continuously, and the freezer temperature will change cyclically between "-16°C to -24°C". After selection, it will light up for 5 seconds and then be confirmed.

7. Fresh zone (Zero Star Zone) temperature adjustment

In the unlocked state, press the (11) key continuously, and the icon will cycle through "3°C", "0°C", and "-3°C"; after selection, it will light up for 5 seconds and then be confirmed.

Temperature display

Displays the chamber temperature at which the temperature was last adjusted.

Door Open Alarm

If the door is opened for more than 120 seconds, the buzzer will sound "Ding----" 5 times every 30 seconds until the door is closed.

Power off memory function

When there is a power outage, the working status before the power outage is memorized, and the setting work before the power outage will be automatically restored after a power on.

Delay protection function

The product is equipped with a compressor delay protection function. The time interval between two operations of the compressor at any time is not less than 5 minutes.

Fault prompt

When "UC", "rS", "FS", "Fd", "ES", "Ed", "dr", "CS", and "BS" appear in the refrigeration temperature area of the display, it means that there is a malfunction in the refrigerator. The refrigerator can still cool under some fault conditions, but you should contact maintenance as soon as possible to achieve optimal operation of the refrigerator.



3.6 Using the refrigerator compartments

Position different food in different compartments according to the below table:

Refrigerator compartments	Type of food
Door or balconies of fridge compartment	<ul style="list-style-type: none"> • Food with natural preservatives, such as jams, juices, drinks, condiments. • Do not store perishable food.
Crisper zone	<ul style="list-style-type: none"> • Fruits, herbs and vegetables should be placed separately in the crisper bin. • Do not store bananas, onions, potatoes, garlic in the refrigerator.
Fridge shelf	<ul style="list-style-type: none"> • Dairy food, eggs, cakes, pasta, pizza • Foods that do not need cooking, such as ready-to-eat foods, deli meats, leftovers.
High moisture drawer	<ul style="list-style-type: none"> • Locking humidity & fresh. Prolong preservation time. • Fresh fruit and vegetables.
Fresh zone (Zero Star Zone)	<ul style="list-style-type: none"> • 3°C, 0°C, -3°C, independent storage & hyper fresh. • Chilling foods for short-term storage, such as raw meat, fish, seafood and chilling baked goods.
Convertible zone (Multizone)	<ul style="list-style-type: none"> • -20°C~5°C, wide range variable temperature. • 3°C~5°C: fresh fruit, vegetables. • 0°C~2°C: drinks, beer, red wine, treasure. • -7°C~-1°C: chilling foods for short-term storage, such as raw meat, fish, seafood, dumplings. • -20°C~-8°C: chilling foods for long-term storage, such as raw meat, fish, seafood, dumplings.
Freezer compartment	<ul style="list-style-type: none"> • Foods for long-term storage. • Seafood, fish, meat, dumplings, frozen baked goods.



3.7 Temperature setting recommendation

Environment temperature	Temperature setting
Warm 32°C-43°C	Fridge set on 4°C
	Freezer set on -18°C
Normal 21°C-31°C	Fridge set on 4°C
	Fridge set on -18°C
Cold 10°C-20°C	Fridge set on 4°C
	Freezer set on -18°C

Information above give users recommendation of temperature setting.

Convertible zone (Multizone) temperature adjustment

Temperature of convertible zone (Multizone) setting depends on food leading.

- If you want to turn the convertible compartment into a fridge compartment, the recommended setting is 5°C.
- If you want to turn the convertible compartment into a chill compartment, the recommended setting is 2°C.
- If you want to turn the convertible compartment into a freezer compartment, the recommended setting is -18°C.

Fresh zone (Zero Star Zone) temperature adjustment

3°C, 0°C, and -3°C: set temperature according to customer needs.

3.8 Impact on food storage

- Under Recommended setting, the best storage time of fridge is no more than 3 days.
- Under Recommended setting, the best storage time of freezer is no more than 1 month.
- The best storage time may reduce under other settings.

3.9 Food storage advice

Practical energy saving advice

- Correct use of the appliance, correct packaging of foodstuffs, a constant temperature and food hygiene have significant effects on the quality of storage.
- Don't put hot food in the appliance;
- Don't pack food close together as this prevents air circulating.
- Make sure food don't touch the back of the compartment(s).
- Reduce the number of times that the doors are opened and the length of time they remain open to prevent the compartments from heating up excessively.



- If electricity goes off, don't open the door(s).
- Don't set the thermostat on exceeding cold temperatures.
- All accessories, such as drawers, shelves balconies, should be kept there for lower energy consumption.
- Prepare food in small portions to enable it to be rapidly and completely frozen and to make it possible subsequently to thaw only the quantity required.
- Wrap up the food in aluminium foil or polythene and make sure that the packages are airtight.

General advice

- Always check the expiry date on the food packaging.
- The foodstuffs must be stored in closed or pre-packaged containers and must not be able to emit or absorb moisture and odours.
- Remove perishable products from the appliance if you are going away for a long period.
- The maximum quantity of food which can be frozen in 24 hrs. is shown on the rating plate.
- The freezing process takes 24 hours. No further food to be frozen should be added during this period.
- Only freeze top quality, fresh and thoroughly cleaned, foodstuffs.
- Do not allow fresh, unfrozen food to touch food which is already frozen, thus avoiding a rise in temperature of the latter.
- Lean foods store better and longer than fatty ones; salt reduces the storage life of food.
- Water ices, if consumed immediately after removal from the freezer compartment, can possibly cause the skin to be freeze burnt.
- It is advisable to show the freezing in date on each individual pack to enable you removal from the freezer compartment, can possibly cause the skin to be freeze burnt.
- It is advisable to show the freezing in date on each individual pack to enable you to keep tab of the storage time.



Refrigerator compartment

- Do not store warm food or evaporating liquids in the refrigerator.
- Do cover or wrap the food, particularly if it has a strong flavour.
- Cooked foods, cold dishes, etc...: these should be covered and may be placed on any shelf.
- Fruit and vegetables: these should be thoroughly cleaned and placed in the special drawer(s) provided.
- Butter and cheese: these should be placed in special airtight containers or wrapped in aluminum foil or polythene bags to exclude as much air as possible.
- Milk bottle: these should have a cap and should be stored in the balconies on the door.
- Bananas, potatoes, onions and garlic, if not packed, must not be kept in the fridge.

Freezer compartment

- Make sure that the commercially frozen foodstuffs were adequately stored by the retailer.
- Make sure that frozen foodstuffs are transferred from the food store to the freezer in the shortest possible time;
- Do not open the door frequently or leave it open longer than absolutely necessary.
- Once defrosted, food deteriorates rapidly and cannot be re-frozen;
- Do not exceed the storage period indicated by the food manufacturer.



4 Cleaning and maintenance

4.1 Instructions



Improper use Risk of damage to surfaces

- Do not use steam jets for cleaning the appliance.
- Do not use cleaning products containing chlorine, ammonia or bleach on steel parts or parts with metallic finishes on the surface (e.g. anodizing, nickel- or chromium-plating).
- Do not use abrasive or corrosive detergents on glass parts (e.g. powder products, stain removers and metallic sponges).
- Do not allow substances such as ethereal oils and organic solvents to come into contact with the appliance parts (e.g. lemon juice or the juice from orange peel, butyric acid, cleanser that contain acetic acid).
- Do not use rough or abrasive materials or sharp metal scrapers.



Power voltage Danger of electrocution

- Turn off the appliance and unplug it from the mains before cleaning.
- Do not pull the cable to remove the plug.

4.2 Cleaning the appliance

For hygienic reasons the appliance interior, including interior accessories, should be cleaned regularly.

- Remove the food from the freezer. Store them in a cool place, well covered.
- Clean the appliance and the interior accessories with a cloth and lukewarm water. After cleaning wipe with fresh water and rub dry.
- After everything is dry place the appliance back into service.

4.3 Defrosting

Defrost Description (No Frost)

- It is a total no frost refrigerator-freezer which will be defrosted automatically.
- Do not use sharp objects to remove frost from the appliance. Use a plastic scraper.
- Regularly examine the drain in the refrigerator for defrosted water. If necessary, clean the drain. If the drain is blocked, water will collect in the bottom of the appliance.*

* If there is a fresh-food storage compartment.



Cleaning and maintenance

4.4 Trouble shooting...

Problem	Possible cause	Solution
Appliance does not work.	Mains plug is not plugged in or is loose.	Insert mains plug.
	Fuse has blown or is defective.	Check fuse, replace if necessary.
	Socket is defective.	Mains malfunctions are to be corrected by an electrician.
Appliance freezes or cools too much.	Temperature is set too cold or the appliance runs at SUPER modes.	Turn the temperature regulator to a warmer setting temporarily.
The food is not frozen enough.	Temperature is not properly adjusted.	Please look in the initial Temperature Setting section.
	Door was open for an extended period.	Open the door only as long as necessary.
	A large quantity of warm food was placed in the appliance within the last 24 hours.	Turn the temperature regulation to a colder setting temporarily.
	The appliance is near a heat source.	Please look in the installation location section.
Heavy build up of frost on the door seal.	Door seal is not air tight.	Carefully warm the leaking sections of the door seal with a hair dryer (on a cool setting). At the same time shape the warmed door seal by hand such that it sits correctly.
Unusual noises	Appliance is not level.	Re-adjust the feet.
	The appliance is touching the wall or other objects.	Move the appliance slightly.
	A component, e.g. a pipe, on the rear of the appliance is touching another part of the appliance or the wall.	If necessary, carefully bend the component out of the way.
Water on the floor	Water drain hole is blocked.	See the Cleaning and Care section.

If the malfunction shows again, contact the Service Center.



5 Installation

5.1 Electrical connection



Power voltage
Danger of electrocution

- The appliance must be connected to earth in compliance with electrical system safety standards.
- Do not pull the cable to remove the plug.

General information

- Unpack the appliance and check if there are damages on it. Do not connect the appliance if it is damaged. Report possible damages immediately to the place you bought it. In that case retain packing.
- It is advisable to wait at least four hours before connecting the appliance to allow the oil to flow back in the compressor.
- Before plugging in, ensure that the voltage and frequency shown on the rating plate correspond to your domestic power supply.
- If the domestic power supply socket is not earthed, connect the appliance to a separate earth in compliance with current regulations, consulting a qualified electrician. If it is necessary to replace the power cable, **this must be performed by an authorised technician from Technical Support Service.**
- This appliance complies with EU Directives and Regulations.

5.2 Positioning



Heavy appliance
Danger of crush injuries

- Position the appliance with the aid of a second person.



Pressure on the open door
Risk of damages to the appliance

- Never use the open door to lever the appliance into place when fitting.
- Avoid exerting too much pressure on the door when open.
- The appliance must not be exposed to direct sunlight.
- The appliance must not be installed near heat sources. If this is not possible, suitable insulation must be used.
- Do not use the appliance outdoors.



Installation

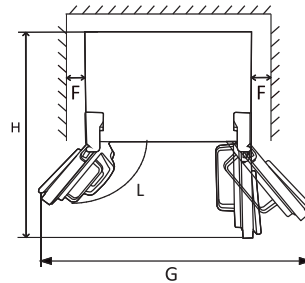
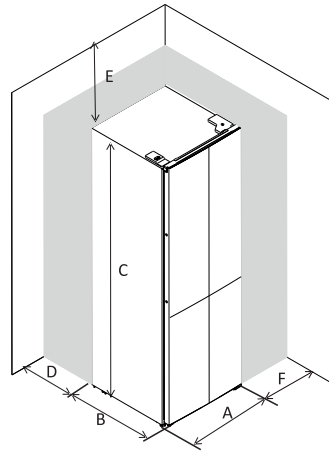
Choice of location

Always install the refrigerator in a dry place with satisfactory ventilation. Depending on its climate class (stated on the nameplate inside the refrigerator compartment), the appliance can be used in different temperature conditions.

Class	Room temperature
Extended temperate SN (Subnormal)	+ 10°C to + 32°C
Temperate N (Normal)	+ 16°C to + 32°C
ST (Subtropical)	+ 16°C to + 38°C
T (Tropical)	+ 16°C to + 43°C

- This refrigerating appliance is not intended to be used as a built-in appliance.
- The appliance must not be installed near heat sources. If this is not possible, suitable insulation must be used.
- If installed underneath wall units, at least 5 cm clearance must be left.
- Ensure that the appliance is located with sufficient space for the door to open and for the internal drawers and shelves to be removed, if necessary.
- Make sure that the mains plug is accessible after the installation of the appliance.

Positioning

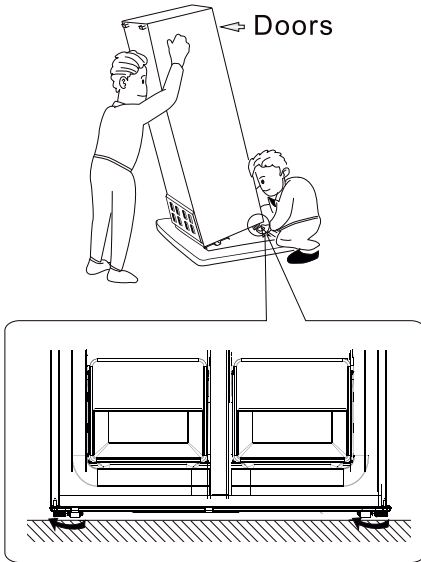


Space requirement dimensions

A	910
B	690
C	1905
D	min = 50
E	min = 50
F	min = 50
G	1515
H	1062
L	130°



Levelling the unit

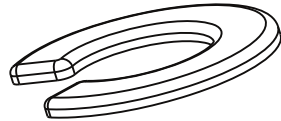


Levelling and anchor the refrigerator by adjusting the feet:

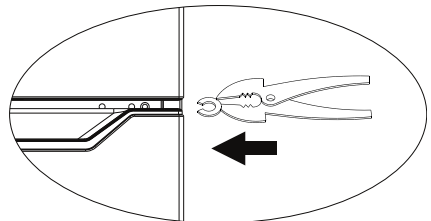
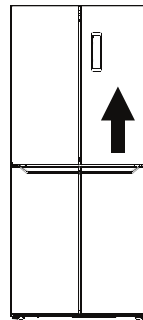
- Clockwise rotate feet to heighten them by hand.
- Anticlockwise rotate feet to lower them by hand.

Level doors

After transportation or door balconies are loaded by food or beverage, upper two doors may not be aligned. There are 3 C type washers which are used to adjust doors. Please follow below procedure to level doors.



1. Before checking the alignment of doors, please make sure the appliance stands levelly.
2. If the top of upper two doors looks not in a line, please slightly lift the lower door and insert a pieces of C type washer by a clip between the bottom of the door and the middle hinge.





Installation

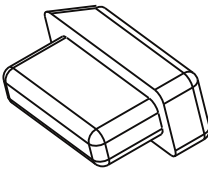


Heavy appliance
Danger of crush injuries

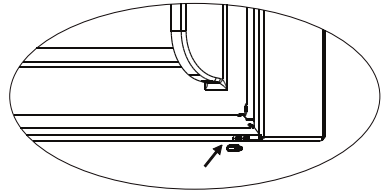
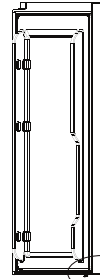
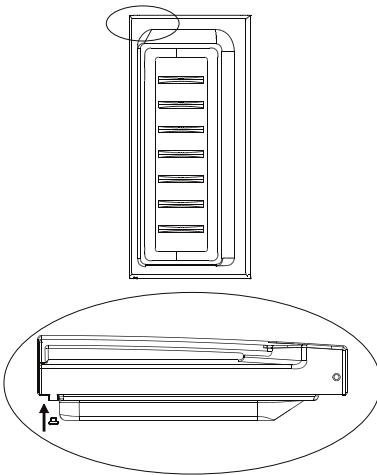
- Please be careful to avoid fingers are clipped by the door. Tools are required for installation.

Rubber blocks

There is one rubber block on each door. They function as spring to relieve impact when the door closes.



Please do not pull the rubber blocks. If they are absent from the doors, please take one from accessory bag and insert it into the hole of the door.



Accessories
Danger of suffocation

- Please keep C type washers and rubber blocks far away from children to avoid them are swallowed by children. They are small parts.