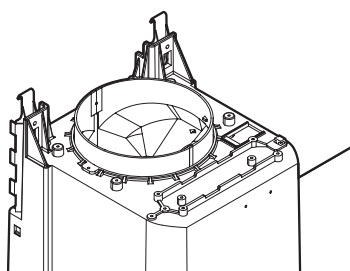
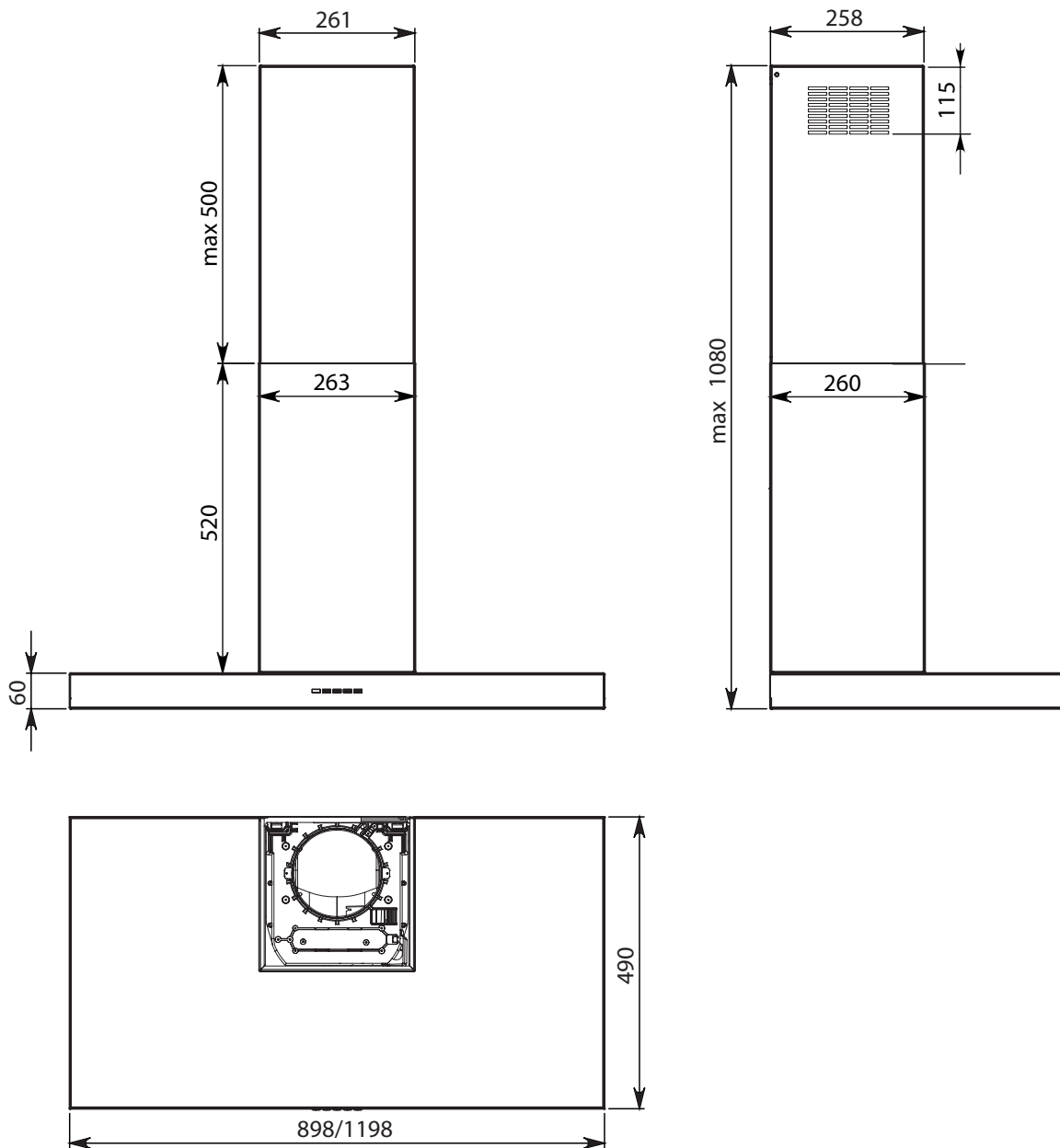




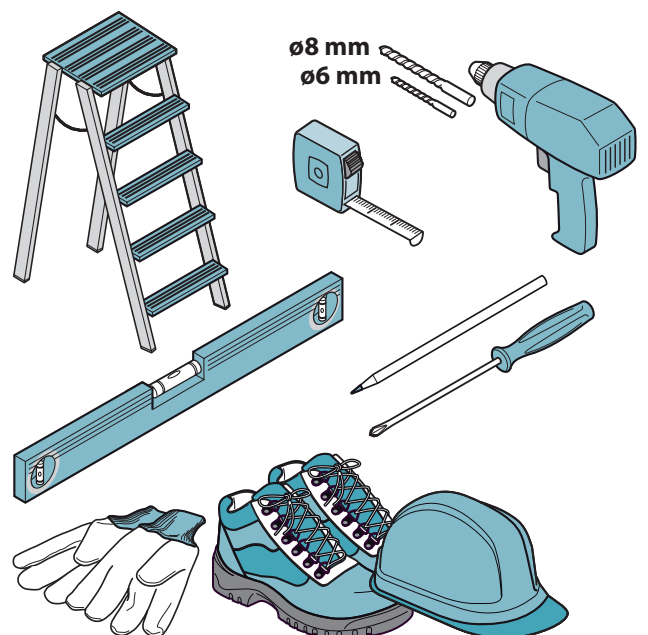
说明手册
Instructions Manual
Libretto di istruzioni

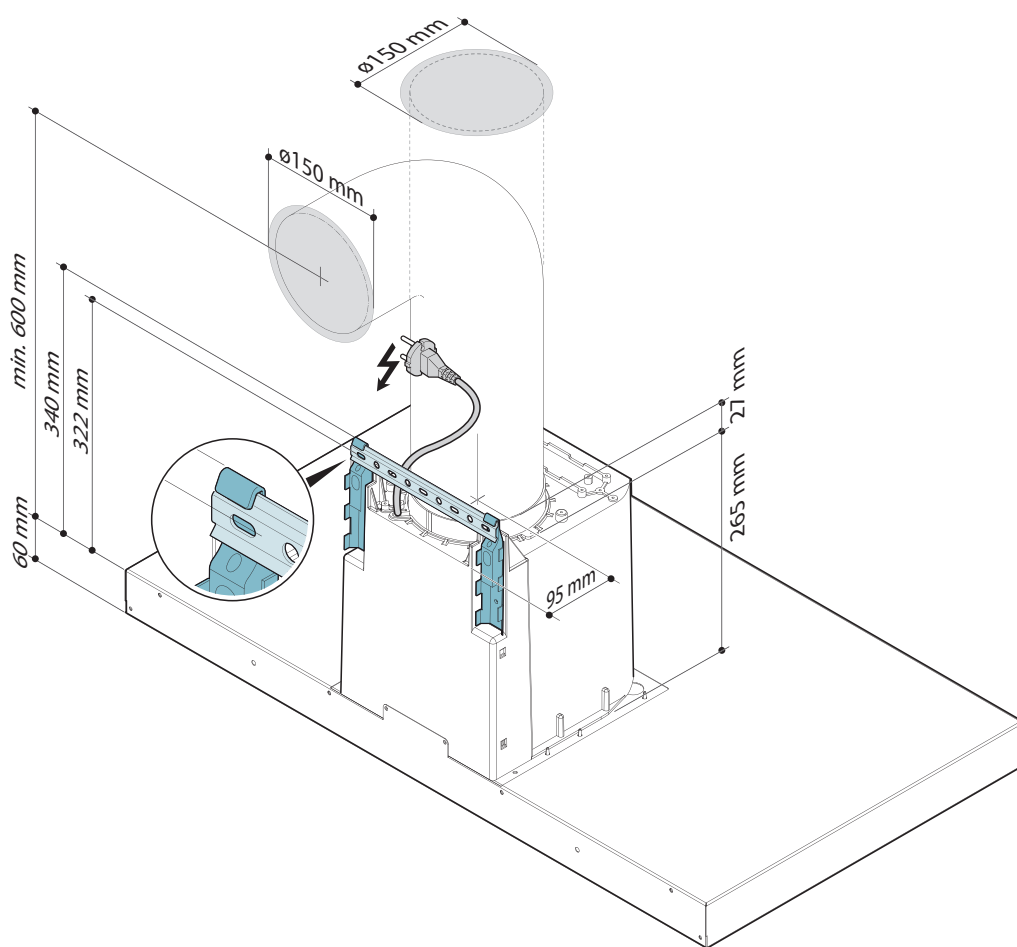
KSP90XC - KSP120XC



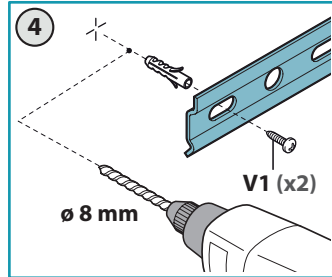
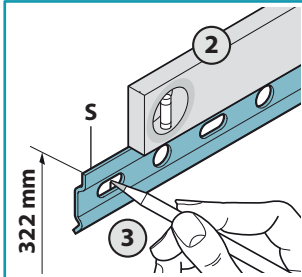
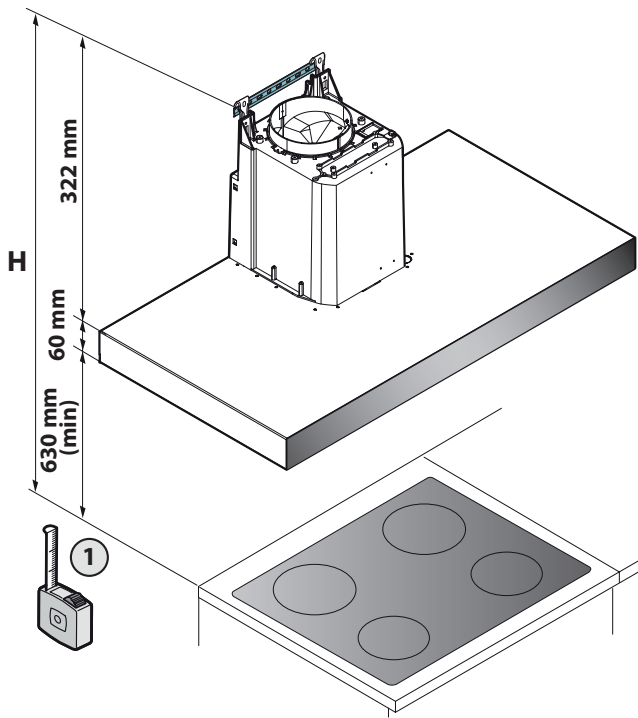
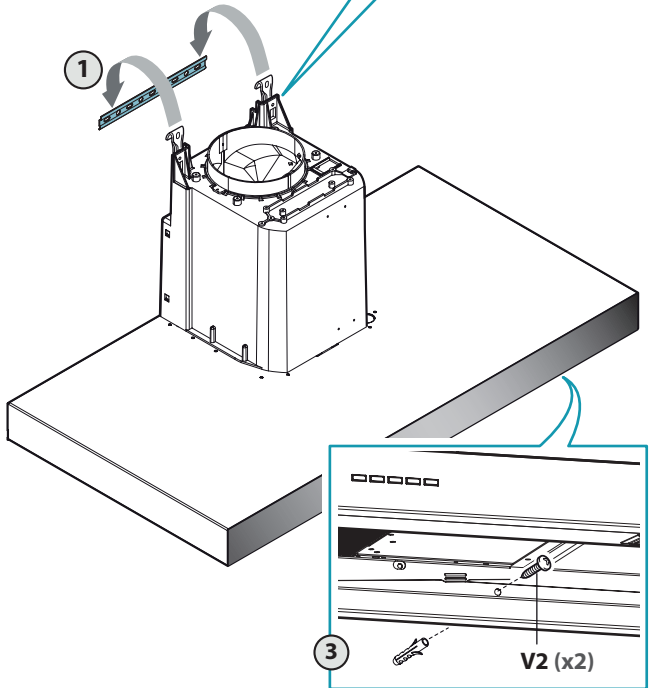
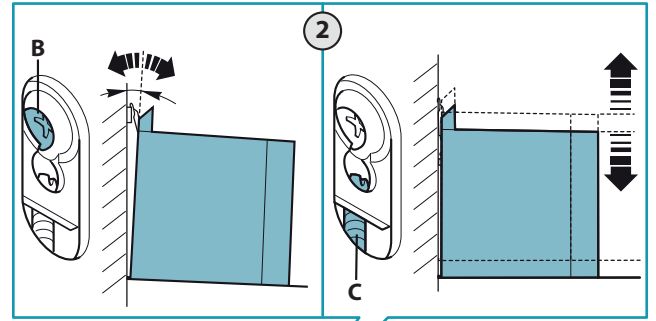
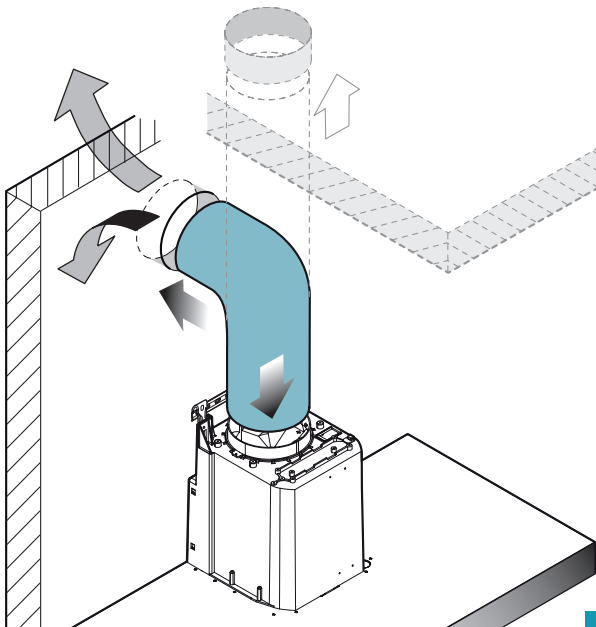
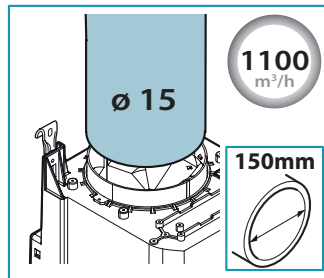
1100
m³/h

 **PLANE 90:** 18 KG
 **PLANE 120:** 22 KG



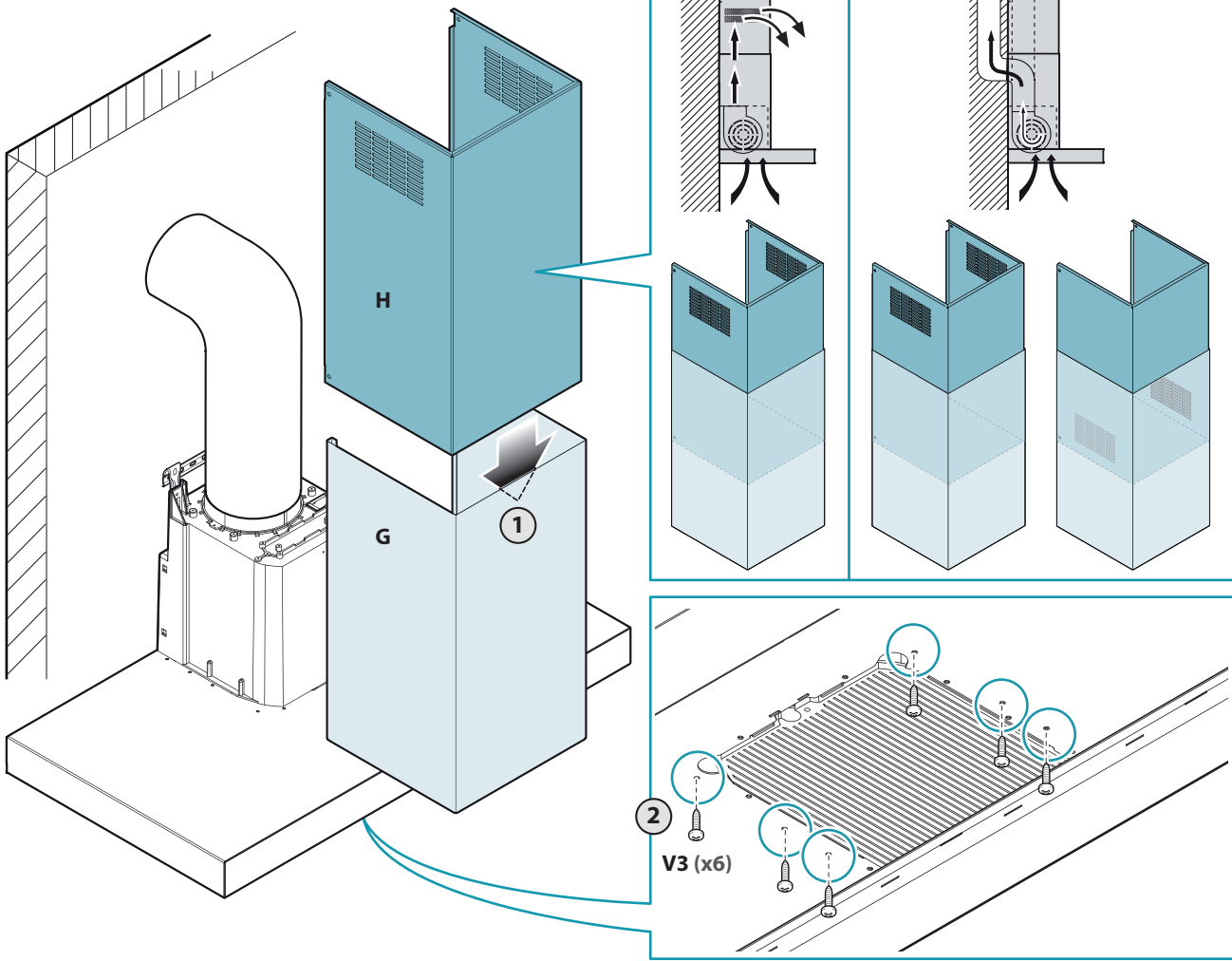


1100
 m^3/h

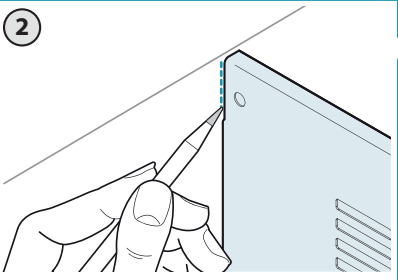
A**B****D**



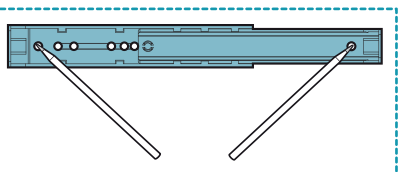
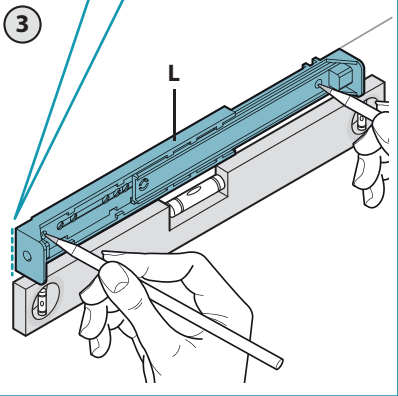
E



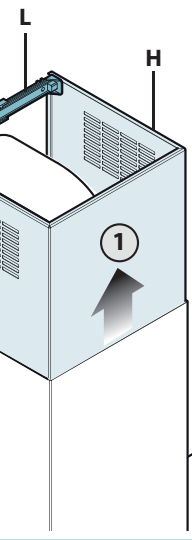
2



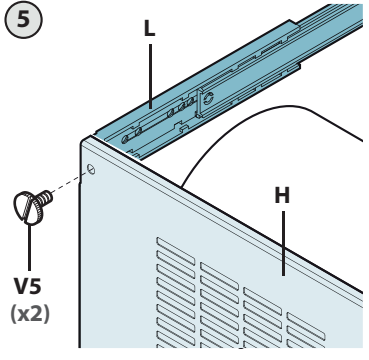
3



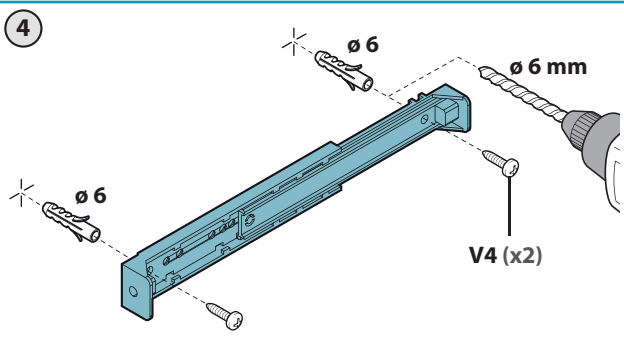
L



5

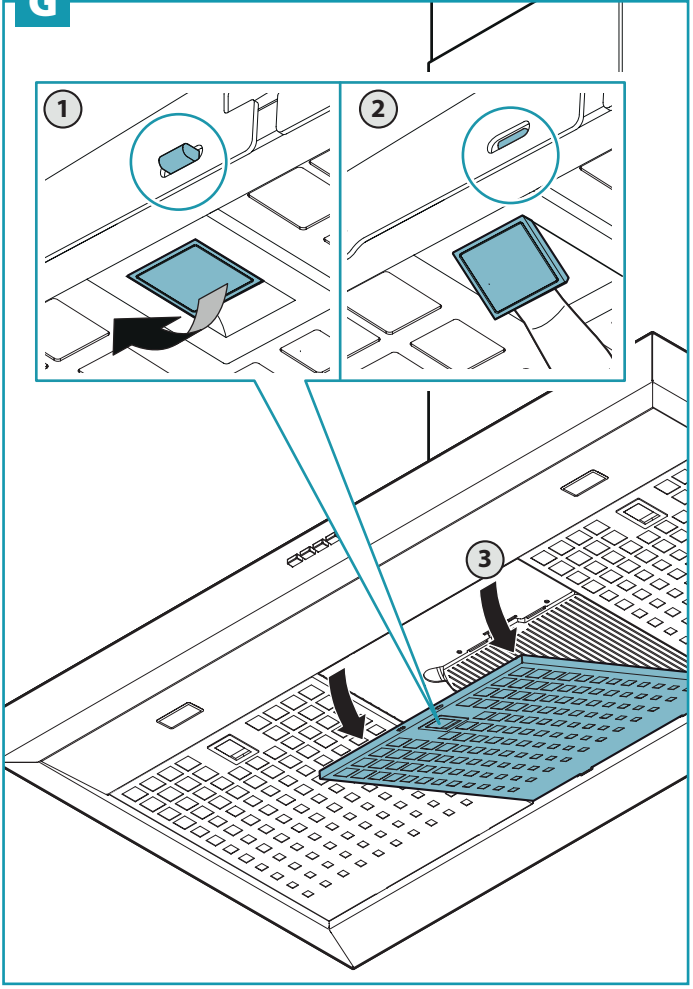


4

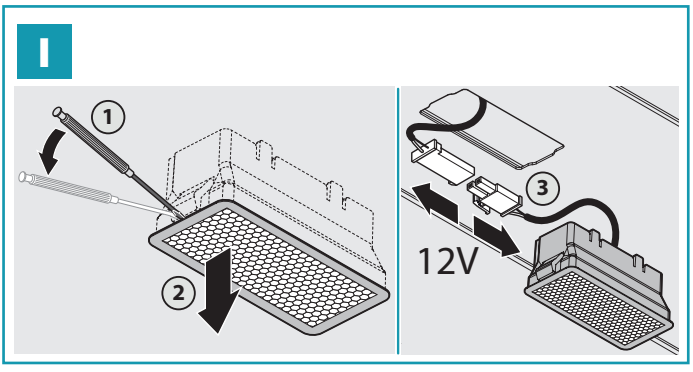


F

G



I



SAFETY INSTRUCTIONS AND WARNINGS

INSTALLATION WARNINGS

TECHNICAL SAFETY



Installation operations are to be carried out by skilled and qualified installers in accordance with the instructions in this booklet and in compliance with the regulations in force.

- Before installing the hood, check the integrity and function of each part. Should anomalies be noted, do not proceed with installation and contact the Dealer.
- Do NOT install the hood if an aesthetic defect has been detected. Put it back into its original package and contact the dealer. No claim can be made for aesthetic defects once the hood has been installed.
- During installation, always use personal protective equipment (e.g. accident-prevention shoes) and adopt prudent and proper conduct.
- **The fixing kit (screws, plugs, and brackets) supplied with the hood can only be used on masonry walls:** should it be necessary to install the hood onto walls in a different material, assess other fixing systems keeping the wall resistance and weight of the hood in mind (indicated on page 2).
- Keep in mind that installations with different types of fixing systems from those supplied, or which are not compliant, can cause electrical and mechanical seal danger.
- Do not modify the electrical, mechanical and functional structure of the equipment.
- Do not install the hood outdoors and do not expose it to atmospheric agents (rain, wind, etc.).
- After the stainless steel hood has been installed, it will need to be cleaned to remove any residues from the protection adhesive as well as any grease and oil stains which, if not removed, can cause irreversible damage to the hood surface. To do so the manufacturer recommends using the supplied moist wipes, which are also available sold separately.

ELECTRICAL SAFETY



The electrical system to which the hood is to be connected must be according to standard and compulsorily supplied with earthed connection in compliance with safety regulations in the country of use. It must also comply with European standards regarding radio antistatic properties.

- Before installing the hood, check that the electrical mains power supply corresponds with what is reported on the identification plate located inside the hood.
- The socket used to connect the installed equipment to the electrical power supply must be within reach: if this is not possible, install a mains switch in an accessible position in order to disconnect the hood when required.
- Any changes to the electrical system required to install the hood must be carried out by a qualified electrician.
- The maximum length of the flue fixing screws (supplied by the manufacturer) must be 10 mm. Use of non-compliant screws with these instructions can lead to danger of an electrical nature.
- It is dangerous to change, or try to change, the features of this equipment. Do not try to solve the problem yourself in the event of equipment malfunction, but contact the Dealer or an authorised Servicing Department for repairs.
- **When installing the hood, disconnect the equipment by removing the plug or switching off the main switch.**

FUMES DISCHARGE SAFETY

- **Do not connect the equipment to discharge pipes of fumes produced from combustion (for example boilers, fireplaces, etc.)**
- Before installing the hood, ensure that all standards in force regarding discharge of air out of the room have been complied with.

USER WARNINGS

GENERAL WARNINGS



These warnings have been drawn up for your personal safety and those of others. You are therefore kindly asked to read the booklet carefully in its entirety before installing and using the equipment or carrying out cleaning operations.

- The Manufacturer declines all responsibility for any damage caused directly, or indirectly, to persons, things and pets as a consequence of failing to comply with the safety warnings indicated in this booklet.
- It is imperative that this instructions booklet is kept together with the equipment for any future consultation. If the equipment is sold or transferred to another person, make sure that the booklet is also supplied so that the new user can be made aware of the hood's operation and relative warnings.
- Installation operations are to be carried out by a skilled and qualified installer in accordance with the instructions in this booklet and in compliance with the regulations in force.
- **DO NOT use the hood if the power supply cable or other components are damaged.** Disconnect the hood from the electrical power supply and contact the Dealer or an authorised Servicing Department for repairs. Insist on original spare parts. **Do not personally try to carry out repairs or replacements. Interventions carried out by incompetent and unauthorised persons can cause damage, even serious, to things and/or persons not covered by the Manufacturer's warranty.**
- Do not modify the electrical, mechanical and functional structure of the equipment. Any changes to the electrical system required to install the hood must be carried out by a qualified electrician.

INTENDED USE

- **The equipment is solely intended to be used to extract fumes generated from cooking food in non-professional domestic kitchens:** any other use is improper, can cause damage to persons, things and pets and exempts the Manufacturer from any liability.
- The equipment can be used by children above the age of 8 and by persons with reduced physical, sensory and mental abilities, or with no experience or knowledge, as long as they do so under supervision or after having received relative instructions regarding safe use of the equipment and understanding of the dangers connected to it. Children are not to play with the equipment. Cleaning and maintenance operations intended for the user must not be carried out by children without supervision.

USE AND CLEANING WARNINGS

- **Before cleaning or carrying out maintenance operations, disconnect the equipment by removing the plug or switching off the main switch.**
- Do not use the hood with wet hands or bare feet.
- Always check that all electrical parts (lights, extractor fan) are off when the equipment is not used.
- The maximum overall weight of any objects placed or hung (if applicable) on the hood must not exceed 1.5 Kg.
- Check the deep-fryers during use: Overheated oil can catch fire.
- Do not light naked flames under the hood.
- Do not flambé foods under the hood.
- Never use the hood without the metal anti-grease filters: in this case, grease and dirt will deposit in the equipment and compromise its operation.
- Accessible parts of the hood can be hot if used together with cooking appliances.
- Do not carry out any cleaning operations when parts of the hood are still hot.
- There can be a risk of fire if cleaning is not carried out according to the methods and products indicated in this booklet.
- Disconnect the main switch when the equipment is not used for long periods of time.



If other appliances that use gas or other fuels are being used at the same time (boiler, stove, fireplaces, etc.), make sure the room where the fumes are extracted is well-ventilated, in compliance with the current regulations.

WARNINGS IN CASE OF MALFUNCTION

- **DO NOT use the hood if the power supply cable or other components are damaged.** Disconnect the hood from the electrical power supply and contact the Dealer or an authorised Servicing Department for repairs. Insist on original spare parts. **Do not personally try to carry out repairs or replacements. Interventions carried out by incompetent and unauthorised persons can cause damage, even serious, to things and/or persons not covered by the Manufacturer's warranty.**

The manufacturer reserves the right to make changes to the equipment at any time and without prior notice. Printing, translation and reproduction, even partial, of this manual are bound by the Manufacturer's authorisation.

Technical information, graphic representations and specifications in this manual are for information purposes and cannot be divulged.

This manual is written in Italian. The Manufacturer is not responsible for any transcription or translation errors.

INSTALLATION (only intended for personnel qualified to install the hood)



Before installing the hood, carefully read Chap. "Safety instructions and warnings" on page 17.

TECHNICAL FEATURES

The technical specifications are reported on the identification plate located inside the hood.

POSITIONING

The minimum distance between the highest part of the equipment for cooking and the lowest part of the hood is indicated in Fig. A on page 4.

Generally, when the hood is placed on gas cookers, this distance must be at least 65 cm (25.6"). However, according to an interpretation of standard EN60335-2-31 dated 11-07-2002 of TC61 (sub-clause 7.12.1 meeting 15 agenda item 10.11), the minimum distance between the cooker and lower part of the hood can be reduced to the reported quota.

Should the instructions for the gas cooker specify a greater distance, take this into consideration.

Do not install the hood outdoors and do not expose it to atmospheric agents (rain, wind, etc.).

ELECTRICAL CONNECTION (only intended for personnel qualified to install the hood)



Disconnect the equipment from electrical mains power supply before carrying out any operations on the hood.

Make sure that the wires inside the hood are not disconnected or cut. Should this occur, contact your nearest Servicing Department. Refer to qualified personnel for electrical connections.

Connection must be carried out in compliance with the provisions of law in force.

Before connecting the equipment to the electrical mains power supply, check that:

- voltage supply corresponds with what is reported on the identification plate located inside the hood;
- the electrical system is compliant and can withstand the load of the equipment (refer to the technical specifications on the identification plate located inside the hood);
- once connected, the plug and cable do not come into contact with hot parts having temperatures that exceed 70°C
- the power supply system is effectively and properly connected to earth in compliance with regulations in force.
- the socket outlet to connect the installed equipment is within reach.

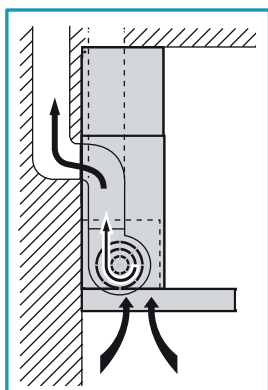
Some types of equipment can be equipped with a cable without a plug; in this case, the type of plug to use is a "standardised" one, keeping in mind that the yellow-green wire must be used for earthing, the blue wire must be used for neutral, and the brown wire must be used for the phase.. The power supply cable must be assembled with a plug suitable for the load and connected to an adequate safety plug.

If the fixed equipment is not provided with a power supply cable and plug, or any other device that ensures disconnection from the electrical mains, with an opening gap of the contacts that enables total disconnection in overvoltage category III conditions, said disconnection devices must be provided in the mains power supply in compliance with installation regulations.

The yellow/green earth cable must not be cut off by the switch.

The Manufacturer declines all responsibility for failure to comply with the safety regulations.

FUMES DISCHARGE (only intended for personnel qualified to assemble the hood)



EXTERNAL EXHAUST HOOD VERSION (SUCTION)

In this version, the kitchen fumes and vapours are conveyed outside through an exhaust pipe. The air outlet fitting that extends from the upper part of the hood must be connected with the pipe that conducts the fumes and vapours to an external output.

Do not connect the equipment to discharge pipes of fumes produced from combustion (for example boilers, fireplaces, etc) and you are to comply with the regulations in force regarding external air discharge.

The fumes outlet pipe must have:

- a diameter not less than that of the hood fitting;
- a slight slope downwards (drop) in the horizontal sections to prevent any formation of condensation from flowing back to the hood;
- the minimum required number of bends;
- minimum required length (long pipes with various bends can reduce suction performance of the hood and trigger vibrations of the check valve).

If the fumes outlet pipe passes through cold environments such as attics, etc., it is possible that water condensation forms due to sudden changes in temperature. In this case, you are required to insulate the pipes.

When the kitchen hood is used simultaneously with other appliances that use gas or other fuels, the room must have sufficient ventilation, in accordance with regulations in force.

ASSEMBLY INSTRUCTIONS (only intended for personnel qualified to assemble the hood)

Phase A page 4

- Place the support bar (S) on the installation wall at a height (H) from the cooker indicated in the figure (Fig. ①).
- Use a spirit level to check the horizontal alignment and draw 2 marks at each end of the support bar, this is where the holes will be drilled (Fig. ② - ③).
- Drill the holes, insert 2 expansion plugs (ø 8mm) and fasten the bar with the relative screws (V1) (Fig. ④).



The fixing kit (screws, plugs, and brackets) supplied with the hood can only be used on masonry walls: should it be necessary to install the hood onto walls in a different material, assess other fixing systems keeping the wall resistance and weight of the hood in mind (indicated on page 2).

Phase B page 4

- Hook the hood onto the support bar (Fig. ①).
- Adjust the alignment of the hood by using the fixing screws (Fig. ②). The upper screw (B) adjusts the distance from the wall, the lower one (C) adjusts vertical scrolling.
- To prevent the hood from falling due to a pressure below, fasten it to the wall with expansion plugs and relative screws (V2) using the appropriate holes on the back of the hood (Fig. ③).

Phase D page 4

EXTERNAL EXHAUST HOOD VERSION (SUCTION)

- Connect the air outlet connection of the hood to the external discharge with a suitable pipe.

Phase E page 5

- Insert the extension (H) in the chimney (G) (Fig. ①) and fasten the assembly to the body of the hood using screws (V3) (Fig. ②).
- With external exhaust (suction) versions, it is possible to insert extension (H) with the slots facing downwards so that they are not visible when the installation height allows it.

Phase F page 5

- Slide the extension (H) until it is positioned at the desired height (Fig. ①).
- Following what is indicated in Fig. ②, draw a line on the wall that will be used to position the bracket (L) correctly.
- Place the bracket (L) on the wall by following the line drawn on it. With a spirit level, check the horizontal alignment and mark the 2 drilling points at the ends (Fig. ③).
- Drill the holes, insert 2 expansion plugs (ø 6mm) and fasten the bracket (L) with the relative screws (V4) (Fig. ④).
- Tighten the extension (H) to the bracket (L) using screws (V5) (Fig. ⑤).
- Electrically power the hood in accordance with regulations in force.

OPERATION


WHEN SHOULD THE HOOD BE SWITCHED ON AND OFF?

Switch on the hood at least one minute before starting to cook: this enhances the airflow to convey fumes and vapours towards the suction surface. After cooking, leave the hood operating until complete extraction of all vapours and odours. If required, by means of the Timer function, it is possible to set hood auto switch-off after 15 minutes of operation.

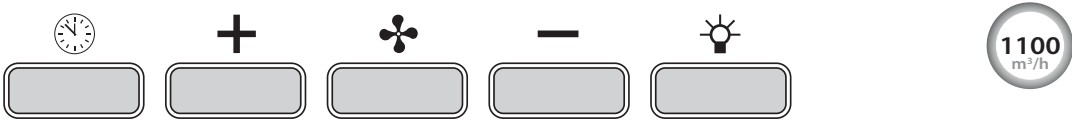








WHICH SPEED IS TO BE SELECTED?

The **first** speed is a low consumption energy-saving way of keeping the air clean, the **second** speed is used in normal conditions, and the **third** speed is used when there are strong odours and vapours.

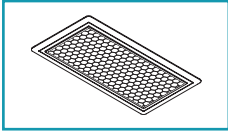
WHEN SHOULD THE FILTERS BE WASHED OR REPLACED?

The hood is assembled with two different types of filters: metal ones (washable) and active carbon ones (non-washable). The former must be cleaned every 30 hours of use (for versions with electronic push button control panel, the fixed red light  indicates that they need to be washed), the latter are to be replaced every 3-4 months, depending on the use of the hood. For further information, please read the chapter regarding "Maintenance" on page 21.

USE OF ELECTRONIC PUSH BUTTON CONTROL PANEL

		
	<p>Timer/Filters alarm Pressing the key with the motor active at any speed activates the Timer function: this function determines the auto switch-off of the hood after 15 minutes of operation. Activation of the function is signalled by a RED flashing light. With the Timer function active, the hood can still be switched off by the user at any time by pressing the key : the function will be automatically disabled and the RED light will turn off. Should the speed be changed with the Timer function active, the latter will be automatically disabled. On the other hand, ignition of the fixed RED light indicates a grease filter alarm: this alarm notifies that it is time to wash the metal anti-grease filters (the alarm is triggered after approximately 30 hours of use). After cleaning the filters, disable the alarm and reset the counters by keeping the key pressed for 3 seconds.</p> <p> To disassemble and assemble the anti-grease metal filters, refer to the instructions on drawing  on page 6.</p>	<p> Mode button (ON/OFF) Pressing the key switches on (or off) the hood motor: it starts at the previously selected speed prior to switching it off (desired speed function). Should you wish to use a different speed, set it by using the + and - keys.</p>
	<p> Button + By pressing the key, the motor speed increases. Speeds 1, 2 and 3 are displayed by the number of LEDs switched on, excluding the light and timer LEDs. The + key in the version with 4 speeds has an intermittent light: the 4th speed or intensity is timed and after approximately 7 minutes the motor automatically switches to 3rd speed.</p>	<p> Button - By pressing the key, the motor speed reduces. Speeds 1, 2 and 3 are displayed by the number of LEDs switched on, excluding the light and timer LEDs.</p>
	<p> Light button ON: light on (lit button) OFF: light off</p>	

LIGHTING



The range hood is equipped with high efficiency, low consumption LED spotlights with extremely long duration under normal use conditions.

Should the LED spotlight need to be replaced, proceed as shown in the figure **I** on page **6**.

MAINTENANCE



Before cleaning or carrying out maintenance operations, disconnect the equipment by removing the plug or switching off the main switch.

Regular maintenance guarantees proper operation and good performance over time.

Special attention is to be paid to the metal anti-grease filters and active carbon filters. In fact, frequent cleaning of the filters and their supports ensures that no grease is accumulated on the hood, which is dangerous and can cause fires.

EXTERNAL CLEANING

You are advised to clean the external surfaces of the hood **at least once every 15 days** to prevent oily substances and grease from sticking to them.

To clean the brushed stainless steel hood, the Manufacturer recommends using "Magic Steel" wipes. Alternatively, it can be cleaned using a damp cloth, slightly moistened with neutral, liquid detergent or denatured alcohol. Finish off cleaning by rinsing well and drying with soft cloths.



Do not use too much water next to the push button control panel and lighting devices in order to prevent humidity from reaching electronic parts. You must not use detergents containing abrasive, acid or corrosive substances or abrasive cloths: a direct consequence of not complying with these warnings will result in irreversible deterioration of the hood's surface.

The Manufacturer declines all responsibility for failure to comply with these instructions.

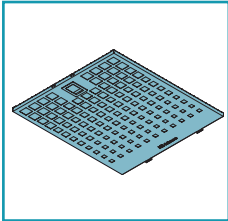
CLEANING OF INTERNAL PARTS



It is forbidden to clean electrical parts, or parts related to the motor inside the hood, with liquids or solvents.

Do not use abrasive products. All these operations are to be carried out after having disconnected the equipment from the electrical mains power supply.

METAL ANTI-GREASE FILTERS



The metal anti-grease filters are there to contain suspended grease particles: deposited on the filters, these feed on any flames released when cooking, generate unpleasant odours, and compromise the passage of air, thus reducing suction performance of the hood.

For this reason, it is advised to **frequently** wash the metal filters (**at least once a month**) leaving them to soak in boiling water and dish washing liquid for 1 hour, taking care not to bend them. Do not use corrosive, acid or alkaline detergents. Rinse them well and wait for them to be completely dry before reassembling them.

Washing in a dishwasher is permitted, however, it may cause the filter material to darken: to reduce the possibility of this problem from happening, use low-temperature washes (55°C max.).



Use the handle to take out the metal anti-grease filters (see instructions **G** on page **6**). Carry out operations in reverse order to insert them.



DISPOSAL AFTER END OF USEFUL LIFE

This symbol on products and/or in accompanying documents means that electrical and electronic products used must not be disposed of with general domestic waste. For personal treatment, recovery and recycling, you are kindly asked to take these products to designated waste collection points where they will be accepted freely. Alternatively, in other countries, it is possible to take products back to the local dealer and purchase a new similar product. Proper disposal of these products contributes to saving valuable resources and avoid potential negative effects on personal health and the environment, which may be caused by inappropriate disposal of waste. You are kindly asked to contact your local authorities for further information regarding the designated waste collection points nearest to you. Penalties for improper disposal of such waste can be applied in compliance with national regulations.

INFORMATION REGARDING DISPOSAL IN EU COUNTRIES

The EU Directive with regard to WEEE has been implemented differently by each nation, therefore, should you wish to dispose of this equipment, we advise you to contact the local authorities or the dealer to ask for the correct method of disposal.

INFORMATION REGARDING DISPOSAL IN OTHER NON-EU COUNTRIES.

This symbol is only valid in the European Union: if you wish to dispose of this product in other countries, we advise you to contact your local authorities or dealer to ask for the proper method of disposal.

Codice / Code
Matricola / Serial Number

┌

┐

└

┘