

USER MANUAL
COFFEE GRINDER

EN

كتيب الاستخدام

مطحنة القهوة

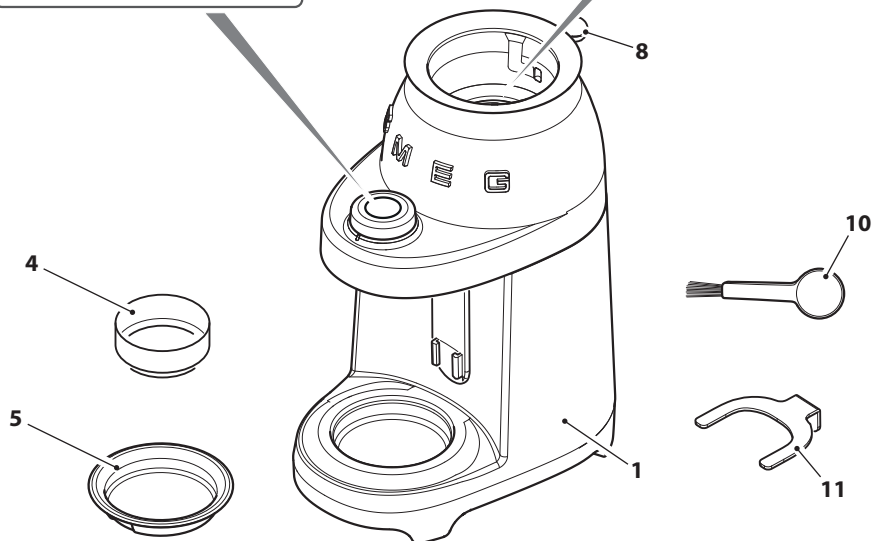
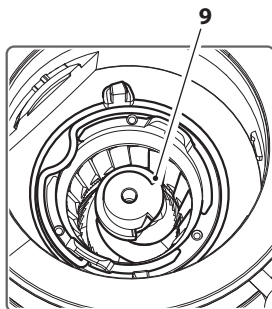
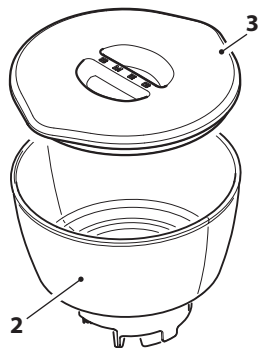
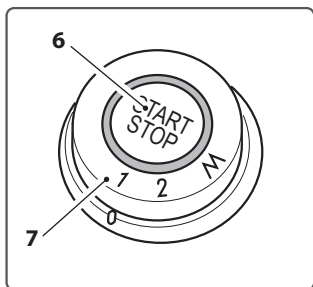
AR



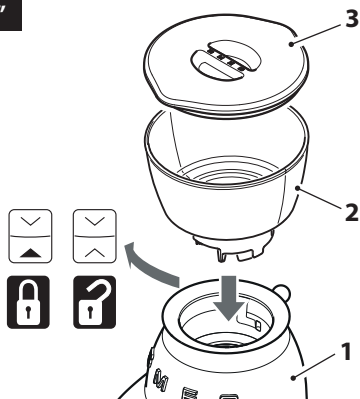
We advise you to read this manual carefully, as it contains all the instructions for managing the appliance's aesthetic and functional qualities.
For further information on the product: www.smeg.com

ننصح بقراءة هذا الكتيب بعناية حيث يضم جميع التعليمات التي تضمن الحفاظ على الخصائص الجمالية والوظيفية للمنتج الذي قمت بشرائه.
للمزيد من المعلومات عن المنتج يرجى زيارة www.smeg.com

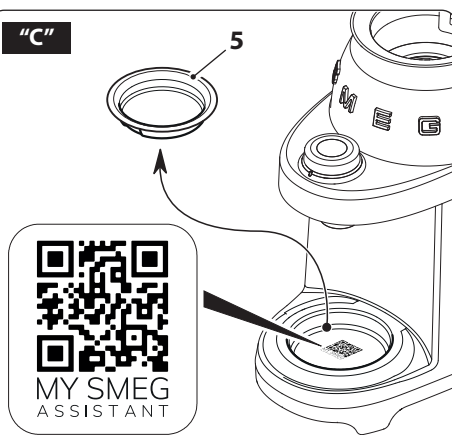
"A"

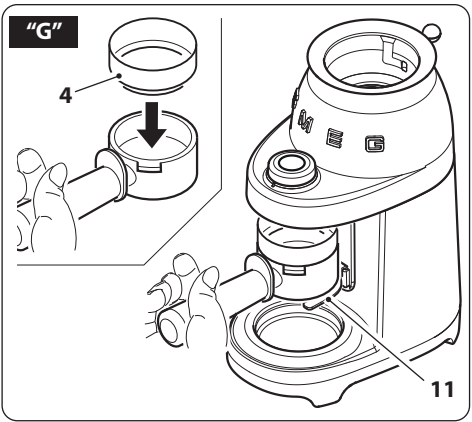
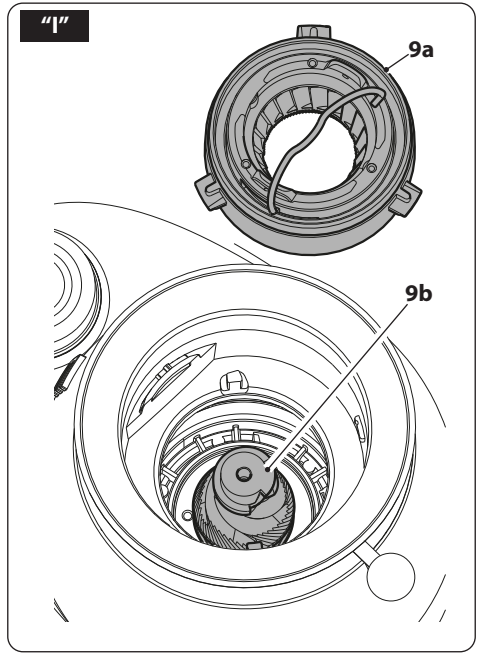
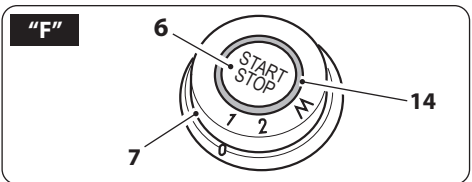
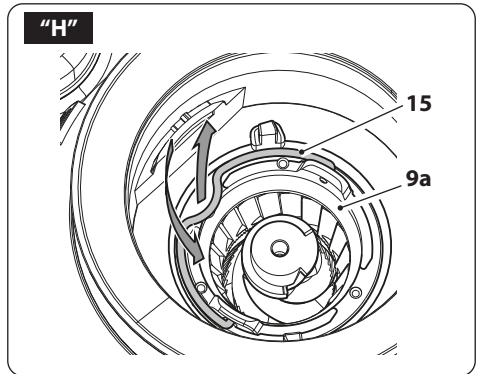
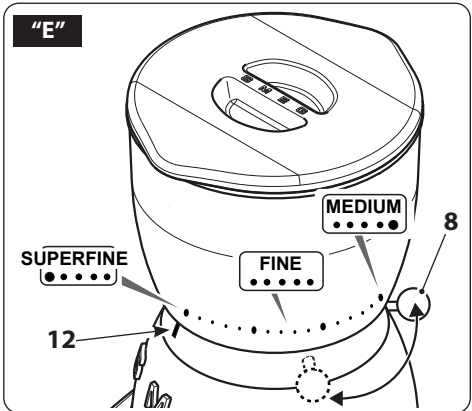
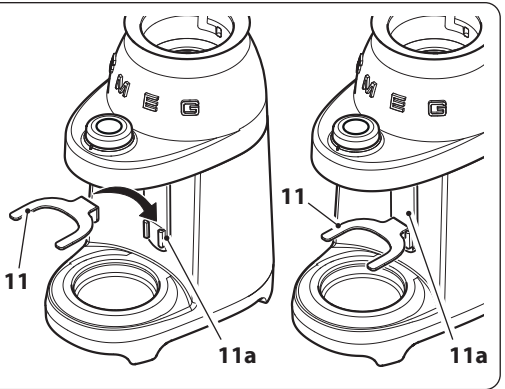
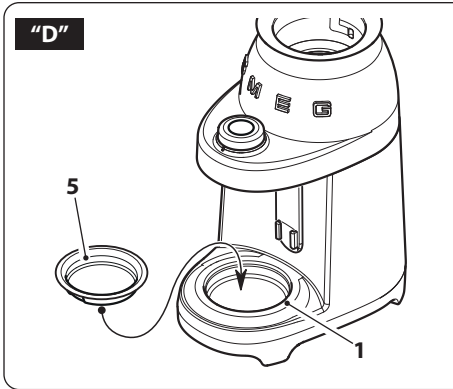


"B"



"C"





Important information for the user

معلومات هامة للمستخدم

Instructions

تحذيرات

General information on this user manual, on safety and final disposal
معلومات عامة عن دليل استخدام هذا الجهاز وسلامة استخدامه وكيفية التخلص عن الجهاز بشكل نهائي

Description

الوصف

Appliance description
وصف الجهاز

Use

الاستعمال

Information on using your appliance
معلومات عن استخدام الجهاز

Cleaning and care

التنظيف و الصيانة

Information for proper cleaning and maintenance of the appliance
معلومات لتنظيف وصيانة الجهاز بشكل صحيح

Safety instructions

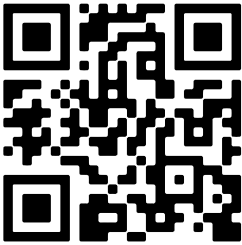
تحذير للسلامة

Information

معلومات

Advice

اقتراحات



MY SMEG
ASSISTANT

Scan the QR code for a quick access to the portal My Smeg Assistant

امسح رمز الاستجابة السريعة ضوئيًا للوصول السريع إلى بوابة My Smeg Assistant

The manufacturer reserves the right to make any changes deemed useful for improvement of its products without prior notice. The illustrations and descriptions contained in this manual are therefore not binding and are merely indicative.

”تحفظ جهة التصنيع لنفسها بالحق في القيام بجميع التعديلات التي تراها مناسبة لتحسين منتجاتها دون إندار مسبق. ولذلك، لا تعتبر الرسوم التوضيحية والأوصاف الواردة في هذا الدليل ملزمة وإنما ذات قيمة إرشادية فقط“



SAFETY

Essential safety-related warnings.

Since the machine is powered by electricity, the following safety warnings must be complied with:

- Do not touch the plug with wet hands.
- Make sure that the power outlet used is always freely accessible, because only in this way can it be unplugged when necessary.
- If the plug is to be removed from the socket, grasp the plug directly. Never pull the cable as damage may be caused.
- If the machine should suffer a malfunction, do not attempt to repair it.
Switch the appliance off, remove the plug from the power outlet and contact the Smeg Technical After-sales centre.
- If the plug or power supply cable are damaged, have them replaced exclusively by the Technical After-sales centre, so as to prevent all risks.
- Do not immerse the appliance, in water.
- Attention: disconnect the plug before cleaning.
- Do not allow the power cable to hang over the edge of the table or any other surface, or to come into contact with hot surfaces.
- Do not use the appliance for more than 90 seconds consecutively. Allow the appliance to cool down for approx. 15 minutes before re-use.

Keep the packaging material (plastic bags, expanded polystyrene) out of the reach of children.

- Cleaning and maintenance are the user's responsibility and must not be performed by unsupervised children.

- Do not position the appliance on or in proximity of electric or gas cookers, or in a heated oven.
- Make sure that there are no foreign objects inside the coffee grinder.
- Switch the appliance off and disconnect it from the electric power supply before changing the accessories or approaching the parts that move during use.

Connect the appliance

Caution! Make sure that the mains voltage and the frequency correspond with that indicated on the data plate on the bottom of the appliance.

Only connect the appliance to a current outlet installed perfectly with minimum capacity of 10A and with efficient earth.

If the appliance power outlet and plug are incompatible, have the power outlet replaced with a suitable type by qualified staff.

- This appliance must not be used by children.
- Keep the appliance and its cable out of the reach of children.
- Children must not play with the machine.
- The appliance can be used by persons with reduced physical and sensory conditions or lack of experience and knowledge, if supervised or instructed concerning safe use of the appliance by a person responsible for their safety and they understand the risks connected.
- Disconnect the appliance from the power outlet before all assembly, disassembly and cleaning operations.



Warnings

Use compliant with destination

- The appliance is intended for household and similar use, such as:
 - in the kitchen area for the staff of shops, offices and other work environments;
 - in bed and breakfast and agritourism accommodation;
 - by guests at hotels and motels, and in residential environments.
- Other uses, in restaurants, bars and cafés for example, are improper.

Manufacturer's liability

The manufacturer declines all liability for injury/damage undergone by persons and objects due to:

- use of the appliance different from that envisioned;
- the user manual not being read;
- tampering even with individual parts of the appliance;
- use of non-original spare parts;
- failure to comply with safety recommendations.




Keep these instructions carefully. Whenever the appliance is transferred to other persons, it must be accompanied by these user instructions.

DISPOSAL

Electrical appliances must not be disposed of with household waste. The appliances bearing



this symbol  are subject to European Directive 2012/19/EU. All discarded electric and electronic appliances must be disposed of separately from household waste, by taking them to relevant centres envisioned by the Country. By disposing of the discarded device correctly, damage to the environment and risks to human health will be avoided. For further information regarding the disposal of the discarded device, contact the Municipal Administration, the Disposal dept., or the shop where the device was purchased.



APPLIANCE DESCRIPTION

(Fig. A)

- 1 Motor base
- 2 Coffee bean container (240 g)
- 3 Coffee bean container lid
- 4 Dosing ring Ø 58mm
- 5 Container support plate
- 6 START/STOP button
- 7 Grinding functions selection knob
- 8 Grinding level adjustment lever
- 9 Grinder
- 10 Cleaning brush
- 11 Filter-holder support fork

IDENTIFICATION

PLATE

The identification plate states the technical data, serial number, and marking. The identification plate must never be removed.

BEFORE COMMISSIONING

(Fig. A)

- Unpack the appliance carefully and remove all packaging materials and promotional labels.
- Wash all components, except for the motor base (1) and the grinder (9), with hot water and normal washing-up liquid. Rinse all components thoroughly and dry them before use.



The grinder must never be washed and must always be kept dry. Clean the grinder with the cleaning brush provided or with a hard-bristle brush.



Before use, check that all the components are integral and do not have any cracks.

ASSEMBLY OF COMPONENTS

(Fig. B-C-D)

- Position the container (2) on the motor base (1) matching up the two reference notches "∨" "∧" on the left side of the motor body (1).
Now, rotate the container (2) clockwise until the two indications "∨" "▲" match.
- Position the lid (3) on the container (2) and press it down.
- Position the plate (5) on the motor base (1) in a way to secure it.
- Position the filter-holder support fork (11) in the relative housing (11a).

DESCRIPTION OF CONTROLS

(Fig. E-F)

Grinding adjustment lever (8)

The appliance has a lever (8), which allows the level of grinding to be adjusted appropriately to your use:

SUPERFINE	Superfine grinding
FINE	Fine grinding
MEDIUM	Medium grinding

Move the lever to make the indicator (12) correspond with the desired grinding level.



For use with EMCO2 coffee machines, it is advised to adjust the coffee grinder to the "SUPERFINE" setting.



Controls/Use

Quantity of grinding selection knob (7)

The appliance has 2 pre-set functions and a manual function, which can be selected using the knob (7).

Each function corresponds to a predefined quantity of ground coffee.

Knob icon	Quantity
1	Grinding for Single espresso
2	Grinding for Double espresso
M	Manual Function

The Manual function (M) can be used at will with any level of grinding.

USE (Fig. A-E-F-G)



Make sure the upper grinder (9A) is inserted and secured in its housing.

- Insert the plug into the power outlet.
- Lift the lid (3) and introduce the coffee beans into the container (2).



If the LED located on the knob flashes, it means that the appliance is in error condition: beans container not present or not inserted correctly.



Coffee may lose flavour quickly once ground. For excellent results, use coffee powder immediately after grinding. Store the ground coffee container in a dark, cool and dry environment. Make sure the coffee powder level is lower than the container maximum level mark and that the container lid is closed well and screwed on tightly.

Grinding the coffee in to the espresso coffee filter-holder (Fig.D-F-G)

- If the dosing ring (58mm) is to be used, position it on the compatible filter holder.
- Position the filter-holder support fork (11) in the relative attachment (11a).
- Position the filter-holder under the dispensing cone.
- Select the grinding level.
- Select program "1" or program "2" according to the function desired.
- Press the START/STOP button (6) to start grinding. For all pre-set programs, grinding will end automatically.
- When grinding has been completed, remove the filter-holder.



The dosing ring (4) prevents the coffee powder from falling, thus helping to reduce dirtying and waste. Compatible with Smeg 58 mm filter-holders.



Filter-holder not supplied.



If the manual grinding operating time exceeds the safety time set (90 seconds), the motor stops automatically.



During the grinding phase, do not turn the knob (7) from one program to another and do not move the grain selection lever (8).



If a finer level of grinding than that currently used is to be set, it is highly recommended to remove the grinder and clean it to remove any residual beans, before proceeding with a new grinding operation. See the **CLEANING AND MAINTENANCE** section to remove the grinder.



A beans locking system allows the container (2) to be raised safely from the motor base (1), in a way to prevent the beans escaping.



The coffee grinder has an auto-off function (stand-by), in the event it is not used after 90 seconds. Press the **START/STOP** button to re-activate the product.

GRINDING TIMES

(Fig. E-F)

The functions envision pre-set ground coffee supply settings. However, depending on personal taste, the pre-set amount of ground coffee can be increased or decreased, thus customising the different functions.

Customise the amount of grinding for espresso coffee

- Make sure that the grinding indicator (12) is positioned at an adequate grinding level for espresso coffee (SUPERFINE).
- Turn the knob (7) to "1".
- Press the **START/STOP** button (6) to start grinding and hold it down for the desired time; the ring (14) flashes during the programming phase.
- On releasing the button, grinding stops, the ring stops flashing and the new setting is memorised.



Repeat the same procedure to customise the amount of grinding for a double espresso by turning the knob (7) to "2".

Restoring factory values

To reset the factory values:

- Turn the knob (7) to program "M".
- Press the **START/STOP** button (6) and hold it down for 5 seconds. The ring (14) flashes 5 times indicating that all factory-set values have been reset.

CLEANING AND MAINTENANCE

(Fig. A-H-I)

- Make sure the coffee bean container (2) is empty and then activate manual mode (M) to remove any coffee residues from the grinder.



Cleaning and maintenance



Before carrying out any cleaning operation, ALWAYS disconnect the plug from the power outlet.
Never immerse the motor base (1) in water or other liquids.

- Remove the container (2) by turning it anticlockwise.
- Remove any coffee beans present in the grinder using the cleaning brush (10) supplied.
- Lift the handle (15) and turn the upper grinder (9a) anti-clockwise to release and remove it.
- Clean the upper grinder (9a) and the lower grinder (9b) and the coffee outlet cavity using a brush with hard bristles or the cleaning brush (10) supplied.
- Re-mount the upper grinder (9a) making the two notches " v " " ^ " m a t c h a n d rotating clockwise to fix it " v " " ^ " .
- The coffee bean container (2), the lid (3) and the plate (5) can be washed using warm water and neutral detergent.
- The motor base (1) can be cleaned using a damp cloth, avoiding the use of detergents or abrasive materials.

Cleaning and maintenance



What To Do If.....

Problem	Possible causes	Solution
The appliance does not work.	Unplugged.	Plug in.
	The coffee bean container is not inserted correctly.	Check that the coffee bean container is correctly inserted in the motor base.
The led on the knob flashes.	The motor thermal protection has activated automatically.	Wait (approx. 30 minutes) for the thermal protection to reset.
	The coffee bean container is not inserted correctly.	Check that the coffee bean container is correctly inserted in the motor base. See the Assembly of Components paragraph to assemble the container.
The appliance stops during operation.	The motor thermal protection has activated automatically.	Wait (approx. 30 minutes) for the thermal protection to reset.



Cleaning and maintenance

Problem	Possible causes	Solution
The appliance works but does not dispense ground coffee.	No coffee beans in the relative container.	Load the coffee beans.
	Grinder blocked.	Remove the grinder and check there are no objects blocking rotation.
The grinding level set is incorrect or difficult.	The top of the grinder (9a) is missing.	Insert and secure the upper grinder (9a) in its housing.
	Grinders worn.	Replace the grinders by taking the appliance to an authorised after-sales centre.



Contact local technical support if the problem is not solved or in case of other types of faults.