

PRECAUTIONS	22
General safety instructions	22
Installation	24
Appliance purpose	26
This user manual	26
Manufacturer's liability	26
Identification plate	27
Disposal	27
Energy efficiency information	27
To save energy	27
How to read the user manual	27
DESCRIPTION	28
General description	28
USE	28
Precautions	28

Using the hob	29
CLEANING AND MAINTENANCE	30
Cleaning the hob	30
Cleaning the surfaces	31
What to do if...	31
INSTALLATION	31
Gas connection	31
Gas types and Countries	34
Burner and nozzle specifications tables	35
Electrical connection	36
Section cut from the countertop	36
Mounting	37
Fixing to the built-in cabinet	38
Instructions for the installer	38

These instructions apply only to the destination countries listed on the appliance's data plate.

This is a class 3 built-in hob.

PRECAUTIONS

General safety instructions

Risk of personal injury

- **WARNING:** During use the appliance and its accessible parts become very hot. Keep children well away from the appliance.
- Protect hands with heat resistant gloves during use.
- Never try to put out a fire or flames with water: Turn off the appliance and smother the flames with a fire blanket or other appropriate cover.
- This appliance may only be used by children aged 8 years and over, and by people of reduced physical, sensory or mental capacity, or lacking in experience in the use of electrical appliances, provided

that they are supervised or have been given instructions on the safe use of the appliance and of the hazards associated with it.

- Children must not play with the appliance.
- Keep children under the age of eight at a safe distance unless they are constantly supervised.
- Keep children under the age of 8 away from the appliance when it is in use.
- Cleaning and maintenance must not be carried out by unsupervised children.
- Make sure that the flame-spreader crowns are correctly positioned in their housings with their respective burner caps.
- The cooking process must

- always kept under control. A short cooking process must be continuously monitored.
- **WARNING:** Cooking foods containing fat and/or oil without monitoring them can be dangerous and can cause a fire.
 - Fats and oils can catch fire if they overheat. Do not leave the appliance unattended while preparing foods containing oils or fats. If fats or oils catch fire, never put water on them. Place the lid on the saucepan and turn off the burner.
 - Do not place metal objects, such as dishes or cutlery, on the surface of the hob during cooking as they may overheat.
 - **WARNING:** leaving food unattended when cooking using fat or oil can be dangerous and can cause a fire. **DO NOT** attempt to extinguish a fire with water. Turn off the appliance and smother the flames, for example with a lid or a blanket.
 - Do not cook foods in closed tins or containers or plastic containers.
 - Do not insert pointed metal objects (cutlery or utensils) into the slots in the appliance.
 - Do not use or store flammable materials near the appliance or directly underneath the hob.
 - Switch off the appliance immediately after use.
 - Do not pull the cable to unplug the appliance (if present).
 - **DO NOT USE AEROSOLS IN THE VICINITY OF THIS APPLIANCE WHILST IT IS IN USE.**
 - **DO NOT MODIFY THIS APPLIANCE.**
 - Always wear personal protective equipment (PPE) before carrying out any work on the appliance (installation, maintenance, positioning or moving).
 - Do not clean the appliance if it is still hot or in operation.
 - Before performing any work on the appliance, switch off the power supply.
 - Do not try to repair the appliance yourself or without the assistance of a qualified technician.
 - If the power cable becomes damaged, contact technical support immediately to arrange for it to be replaced in order to avoid possible hazards.
 - **WARNING:** A gas cooking appliance produces heat, humidity and combustion products in the room where it is installed. Make sure there is good ventilation, especially when the appliance is in use: keep the natural ventilation openings open or install a mechanical ventilation device.

- Intensive and prolonged use of the appliance may require additional ventilation, for example opening a window or more effective ventilation; for example by increasing the power of any mechanical suction devices.
- If any liquid does boil over or spill, remove the excess from the hob.
- Take care not to spill acid substances such as lemon juice or vinegar on the hob.
- Do not spill sugar or sweet mixtures on the hob during cooking.

Risk of damaging the appliance

- Do not sit on the appliance.
- Do not use the appliance as a support surface.
- Do not obstruct ventilation openings and heat dispersal slots.
- Do not use the hob if the pyrolytic cycle is taking place inside any oven installed below.
- Do not use steam jets to clean the appliance.
- Never leave the appliance unattended during cooking operations where fats or oils could be released, as these could then heat up and catch fire. Be very careful.
- Fire hazard: Never leave objects on the cooking surfaces.
- **DO NOT FOR ANY REASON USE THE APPLIANCE AS A SPACE HEATER.**
- Cooking vessels or griddle plates should be placed inside the perimeter of the hob.
- All pans must have smooth, flat bottoms.
- Do not place materials or substances that could melt or catch fire (paper, plastic or aluminium foil) on the appliance while it is in use.
- Place the cookware directly onto the grids above the burners.
- Do not put empty pans or frying pans on burners that are lit.
- Do not use rough or abrasive materials or sharp metal scrapers.
- Do not use cleaning products containing chlorine, ammonia or bleach on parts made of steel or that have metallic surface finishes (e.g. anodizing, nickel- or chromium-plating).
- Do not wash removable parts such as the hob pan support grids, flame-spreader crowns and burner caps in the dishwasher.
- This appliance is not designed to operate with external timers or with remote-control systems.

Installation

- **THIS APPLIANCE MUST NOT BE INSTALLED IN BOATS OR**

CARAVANS.

- This appliance must not be installed on a dishwasher.
- Position the appliance into the cabinet cut-out with the help of a second person.
- Before installation, make sure that the local distribution conditions (type and pressure of the gas) and the regulation of the appliance are compatible.
- This appliance is not connected to a system for extracting combustion products. It should be installed and connected in compliance with current installation regulations. Pay particular attention to the requirements regarding ventilation.
- The settings for this appliance are shown on the gas settings label.
- Have the gas connection performed by authorised personnel.
- Have the electrical connection performed by authorised technical personnel.
- Installation using a hose must be carried out so that the length of the hose does not exceed 2 metres when fully extended for steel hoses and 1.5 metres for rubber hoses.
- The gas connection hoses must not come into contact with moving parts of the built-in module (for example a drawer) and must not be routed through a space that could cause it to be pinched.
- If required, use a pressure regulator that complies with current regulations.
- After carrying out any operation, check that the tightening torque of gas connections is between 10 Nm and 15 Nm.
- At the end of the installation, check for any leaks with a soapy solution, never with a flame.
- Check that the carcass has the required openings.
- Check that the carcass material is heat resistant.
- Installation and servicing should be carried out by qualified personnel in accordance with current standards.
- The appliance must be connected to earth in compliance with electrical system safety standards.
- Use cables that can withstand temperatures of at least 90°C.
- Run the power cable in the rear part of the unit. Make sure that it does not come into contact with the lower part of the hob or a built-in oven below it.
- Be careful when connecting additional electrical appliances. Connection cables must not come into contact with

hot cooking zones.

- The tightening torque of the screws of the terminal supply wires must be 1.5 - 2 Nm.
- The power cable must only be installed or replaced by a qualified technician.
- If the power cable becomes damaged, contact technical support immediately to arrange for it to be replaced in order to avoid possible hazards.
- Always use any necessary/required personal protective equipment (PPE) before performing any work on the appliance (installation, maintenance, positioning or movement).
- Before performing any work on the appliance, switch off the power supply.
- Allow the appliance to be disconnected after installation, via an accessible plug or a switch in the case of a fixed connection.
- Fit the power line with an all-pole circuit breaker with a contact separation distance sufficient to provide complete disconnection in category III overvoltage conditions, pursuant to installation regulations.
- You should make sure that the appliance is working correctly (rotation of knobs, positioning of the pan supports etc.) only

once it has been installed and secured to the unit.

- This appliance can be used up to a maximum altitude of 2,000 metres above sea level.

Appliance purpose

This appliance is intended for cooking food in the home environment. Every other use is considered inappropriate. It cannot be used:

- in employee kitchens, shops, offices and other working environments.
- in farms/farmhouses.
- by guests in hotels, motels and residential environments.
- In bed and breakfast accommodation.

This user manual

- This user manual is an integral part of the appliance and must therefore be kept in its entirety and within the user's reach for the whole working life of the appliance.
- Read this user manual carefully before using the appliance.
- The explanations in this manual include images, which describe all that regularly appears on the display. However, it should be kept in mind that the appliance may be equipped with an updated version of the system, and as such, all that appears on the display may differ from those in the manual.

Manufacturer's liability

The manufacturer declines all liability for damage to persons or property caused by:

- use of the appliance other than that specified;
- failure to comply with the instructions in the user manual;
- tampering with any part of the appliance;
- use of non-original spare parts.

Identification plate

The identification plate bears the technical data, serial number and brand name of the appliance. Do not remove the identification plate for any reason.

Disposal



This appliance conforms to the WEEE European directive (2012/19/EU) and must be disposed of separately from other waste at the end of its service life.

The appliance does not contain substances in quantities sufficient to be considered hazardous to health and the environment, in accordance with current European directives.



Power voltage Danger of electrocution

- Disconnect the mains power supply.
- Unplug the appliance.

To dispose of the appliance:

- Cut the power cable and remove it.
- Deliver the appliance to the appropriate recycling centre for electrical and electronic equipment waste, or return it to the retailer when purchasing an equivalent product, on a one for one basis.

Our appliances are packaged in non-polluting and recyclable materials.

- Deliver the packing materials to the appropriate recycling centre.



Plastic packaging Danger of suffocation

- Do not leave the packaging or any part of it unattended.
- Do not let children play with the plastic bags.

Energy efficiency information

The information according to the European ecodesign directive can be found in a separate document together with the product instructions.

This information can be found in the "Product information sheet" that can be downloaded from the page for the specific product on the website.

To save energy

- The diameter of the base of the pan must not extend beyond the lines printed on the glass

ceramic surface.

- Pans must not be placed outside the perimeter of the hob or on the display.
- When buying a pan, check whether the diameter indicated is that of the base or the top of the pan, as the top is almost always larger than the base.
- When preparing dishes with long cooking times, you can save time and energy by using a pressure cooker, which also helps to retain vitamins contained in the food.
- Make sure that the pressure cooker contains enough liquid as, if there is not enough and it overheats, this may cause damage to both the pressure cooker and the cooking zone.
- If possible, always cover pans with a suitable lid.
- Choose a pan suitable for the quantity of food to be cooked. A large, half-empty saucepan leads to a waste of energy.



Under certain circumstances, if the hob and the oven are used at the same time, the maximum power limit of the electrical system might be exceeded.

How to read the user manual

This user manual uses the following reading conventions:



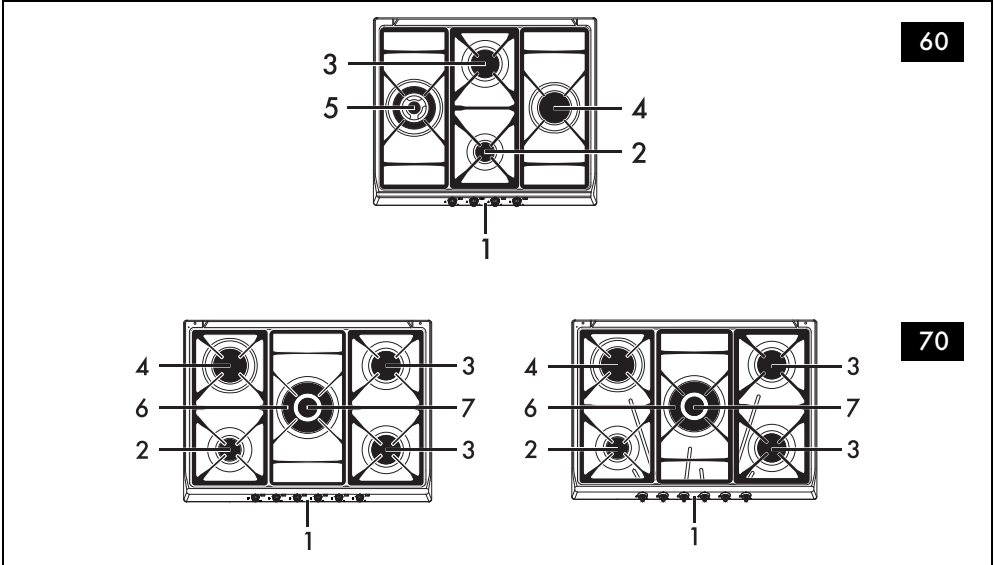
Warning/Caution



Information/Advice

DESCRIPTION

General description



1 Control panel

2 Auxiliary burner (**AUX**)

3 Semi-rapid burner (**SR**)

4 Rapid burner reduced (**RR**)

5 Ultra-rapid burner (**UR3**)

6 Ultra-rapid burner with external crown (**UR2 ext.**)

7 Ultra-rapid burner with internal crown (**UR2 int.**)

Front cooking zone

Rear cooking zone

Right centre cooking zone

Left centre cooking zone








External centre zone

Internal centre zone

Front cooking zone

Rear cooking zone

Burner knobs

For lighting and adjusting the hob burners. Press and turn the knobs anti-clockwise to  /  in order to light the relevant burners. Turn the knobs to the zone between the maximum  /  and minimum  /  setting to adjust the flame. Return the knobs to the position  to turn off the burners.

USE

Precautions



See General safety instructions.

A gas leak can cause an explosion.

If you smell gas or there are faults in the gas system:

- Immediately turn off the gas supply or close

the valve on the gas cylinder.

- Extinguish all naked flames and cigarettes.
- Do not turn on power switches or appliances and do not remove plugs from power sockets. Do not use phones or mobile phones inside the building.
- Open the window in order to ventilate the room.
- Call customer assistance services or your gas supplier.

Malfunctions

Any of the following indicate a malfunction and you should contact a service centre.

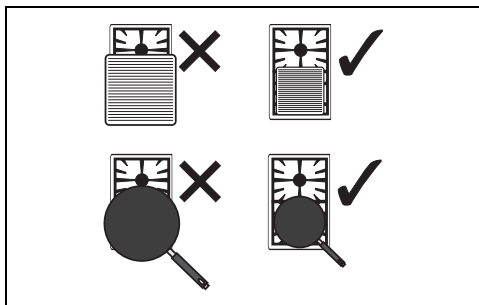
- The burners do not ignite properly.
- It is difficult to keep the burners lit.
- The burners go out when the appliance is in use.
- It is difficult to turn the gas cocks.

Practical tips for using the hob

For better burner efficiency, to minimise gas consumption and to prevent damage to the hob, use pans with lids and of suitable size for the burner, so that the flames do not reach up the sides of the pan. Once the contents come to the boil, turn down the flame far enough to ensure that the liquid does not boil over.

Burner	Pan diameter
AUX	12 - 14 cm
SR	16 - 20 cm
RR	22 - 26 cm
UR3	22 - 26 cm
UR2 in + UR2ext	22 - 26 cm


Use of containers




When cooking, to avoid burns, damage to the hob or top, all containers or steak pans must be

positioned within the perimeter of the hob.




At the end of each use, always check that the knobs are in position  (off).

Using the hob

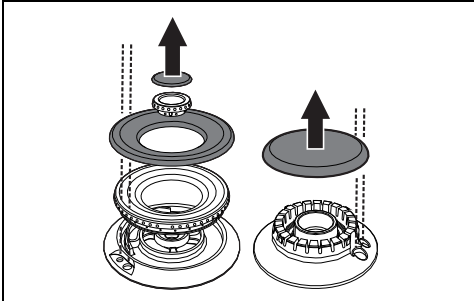
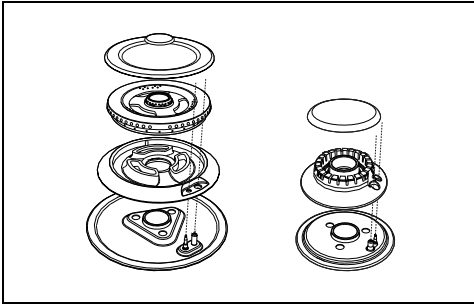
All the appliance's control and monitoring devices are located together on the front panel. The burner controlled by each knob is shown next to the knob. The appliance is equipped with an electronic ignition device. Simply press the knob and turn it anti-clockwise to the maximum flame symbol, until the burner ignites. If the burner does not light in the first 15 seconds, turn the knob to  and wait 60 seconds before trying again. After lighting, keep the knob pressed in for a few seconds to allow the thermocouple to heat up. The burner may go out when the knob is released: In this case, the thermocouple has not heated up sufficiently.

Wait a few moments and repeat the operation. Keep the knob pressed in longer.



In case of an accidental switching off, a safety device will be tripped, cutting off the gas supply, even if the gas cock is open. Return the knob to  and wait at least 60 seconds before lighting it again.

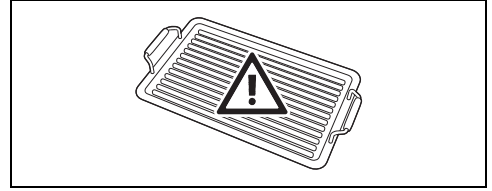
Correct positioning of the flame-spreader crowns and burner caps



Before lighting the hob burners, make sure that the flame-spreader crowns are correctly positioned in their housings with their respective burner caps. Make sure that the holes in the burners are aligned with the igniters and thermocouples. Also ensure that the flame-

spreader crowns are correctly engaged in the burner holes.

Precautions when using the griddle



A few precautions are necessary if you wish to use a griddle:

- The griddle must not extend beyond the edge of the hob.
- Do not place the griddle over more than one burner at the same time.
- The griddle can be pre-heated on the burner at maximum power for no more than 10 minutes.
- Make sure that the burner flame does not extend beyond the edge of the griddle.
- Keep a distance of at least 160 mm between the griddle and the side and/or rear wall, especially if it is placed on an Ultra-Rapid burner.
- It is not recommended to use earthenware or stoneware griddles.
- Never use the griddle for more than 40 minutes.

CLEANING AND MAINTENANCE

Cleaning the hob

Cooking hob pan support grids

Remove the pan support grids and clean them in lukewarm water and non-abrasive detergent. Make sure to remove any encrustations. Dry them thoroughly and return them to the hob.



The continuous contact between the pan supports and the flame can cause modifications to the enamel over time in those parts exposed to heat. This is a completely natural phenomenon which has no effect on the operation of this component.

Carefully remove any encrustation, then wait until they are perfectly dry. Replace the flame-spreader crowns, making sure that they are correctly positioned in their housings with their respective burner caps.

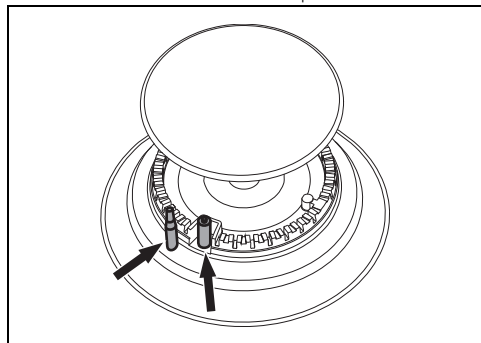
Igniters and thermocouples

For correct operation the igniters and thermocouples must always be perfectly clean. Check them frequently and clean them with a damp cloth if necessary. Remove any dry

Flame-spreader crown and burner caps

For easier cleaning, the flame-spreader crowns and the burner caps can be removed. Wash them in hot water and non-abrasive detergent.

residues with a wooden toothpick or a needle.



Cleaning the surfaces

To keep the surfaces in good condition, they should be cleaned regularly after use. Let them cool first.

Ordinary daily cleaning

Always and only use specific products that do not contain abrasives or chlorine-based acids. Pour the product onto a damp cloth and wipe the surface, rinse thoroughly and dry with a soft cloth or a microfibre cloth.

Food stains or residues

Do not use steel sponges and sharp scrapers as they will damage the surface. Use normal, non-

abrasive products and a wooden or plastic tool, if necessary. Rinse thoroughly and dry with a soft cloth or a microfibre cloth.

What to do if...

The hob does not work:

- Make sure that the hob is connected and that the main switch is turned on.
- Make sure that there is no power failure.
- Make sure that the fuse has not blown. In this case replace the fuse.
- Make sure that the circuit breaker of the residential electrical system has not tripped. In this case, reset the circuit breaker.

The cooking results are unsatisfactory:

- Make sure that the hob is properly ventilated and that the air inlets are unobstructed.

The hob smokes:

- Let the hob cool down and clean it once cooking is complete.
- Make sure that the food has not spilled out of the pan and use a larger cooking vessel, if needed.

The fuses blow or the circuit breaker of the residential electrical system trips repeatedly.

- Call Technical Support or an electrician.

INSTALLATION



The appliance must be installed by a qualified technician and according to the regulations in force.



Appliance factory set for: natural gas G20 at a pressure of 20 mbar.

Gas connection

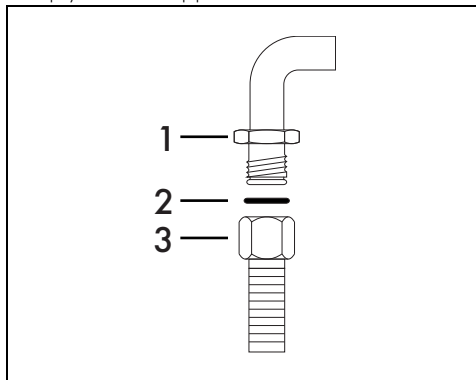


See General safety instructions.

Connection to the gas mains can be made using a continuous wall steel hose in compliance with the guidelines established by the standards in force. To use other types of gas, see the chapter "Adaptation to different types of gas". The appliance's gas connector has a 1/2" external thread (ISO 228-1).

Connection with a steel hose

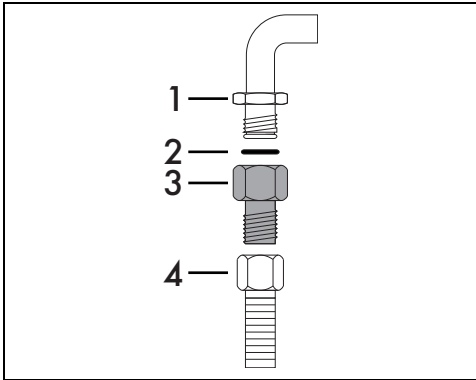
Make the connection to the gas mains using a continuous wall steel hose whose specifications comply with the applicable standard.



Carefully screw the connector 3 to the gas connector 1 of the appliance, placing the seal 2 between them.

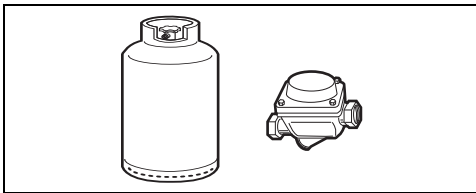
Connection with a steel hose with conical fitting

Make the connection to the gas mains using a continuous wall steel hose whose specifications comply with the applicable standard.



Carefully screw the hose connector 3 to the appliance's gas connector 1 (1/2" thread ISO 228-1), placing the seal 2, provided, between them. Apply insulating material to the thread of connector 3 and then screw the steel hose 4 onto the connector 3.

Connection to LPG



Use a pressure regulator and make the connection on the gas cylinder following the guidelines set out in the standards in force.

The supply pressure must comply with the values indicated in the "Burner and nozzle characteristics table".

Room ventilation

The appliance should be installed in rooms that have a permanent air supply in accordance with the standards in force. The room where the appliance is installed must have enough air flow for the regular combustion of gas and the necessary air change in the room itself. The air vents, protected by grilles, must be the right size to comply with current regulations and positioned so that no part of them is obstructed, not even partially.

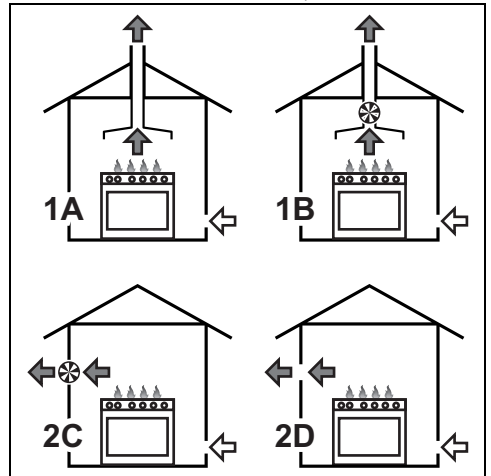
The room must be kept adequately ventilated in order to eliminate the heat and humidity

produced by cooking: In particular, after prolonged use, you are recommended to open a window or to increase the speed of any fans.

Extraction of the combustion products

The combustion products may be extracted by means of hoods connected to a natural draught chimney whose efficiency is certain or via forced extraction. An efficient extraction system requires precision planning by a specialist qualified in this area and must comply with the positions and clearances indicated by the applicable standards.

When the job is complete, the installer must issue a certificate of conformity.



- 1 Extraction using a hood
- 2 Extraction without a hood
- A Extraction with a single natural draught chimney
- B Extraction with a single chimney with extractor fan
- C Extraction directly outdoors with wall- or window-mounted extractor fan
- D Extraction directly outdoors through wall



Air



Combustion products



Extractor fan

Adaptation to different types of gas

If other types of gas are to be used, the nozzles must be replaced and the primary air must be

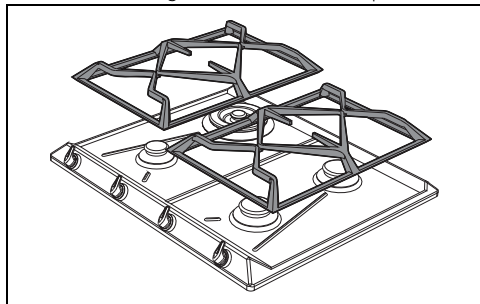
adjusted. The top of the hob has to be removed in order to replace the nozzles and adjust the burners.



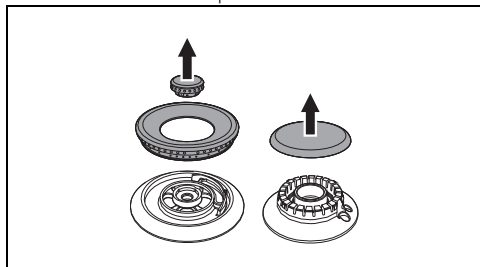
In order to be able to replace the nozzles, the appliance must be removed from the built-in unit.

Removing the hob top

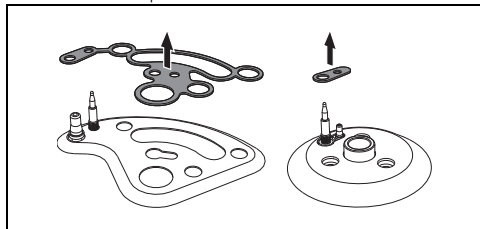
1. Remove the grids from the hob top.



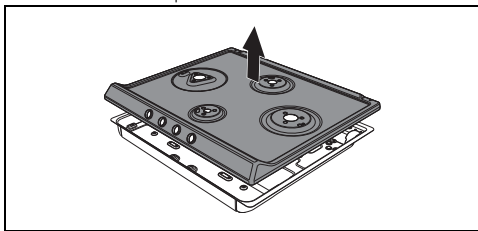
2. Remove the flame-spreader crowns and relative burner caps.



3. Remove the knobs lifting them from their housing.
4. Remove the seals from the igniters and thermocouples of each burner.

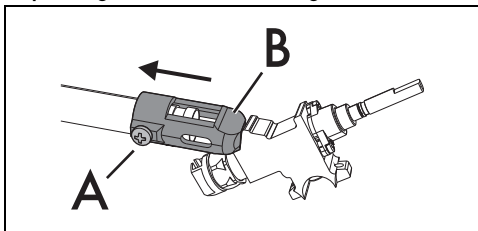


5. Lift the hob top and remove it.

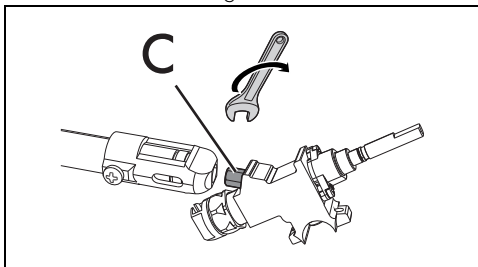


6. To reassemble the appliance, follow the previous instructions in reverse order.

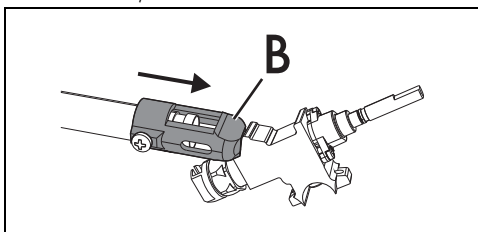
Replacing the nozzles/air regulation



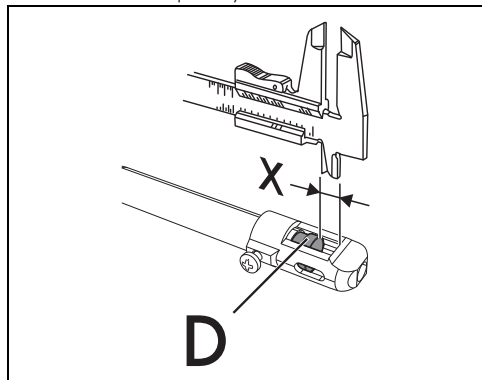
7. Unscrew screw "A" and push air regulator "B" as far as it will go.



8. Use a spanner to remove the nozzles "C" and install the new ones for the required gas supply, following the indications given in the relevant table (see "Gas types and countries").



9. Reposition support "B" so that nozzle "C" is covered completely.



10. Move the Venturi tube "D" to adjust the air flow until distance "X" is reached as indicated in the paragraph (see Table "Burner and nozzle characteristics" - "Primary air adjustment (mm)") and then secure the tube by means of screw "A".

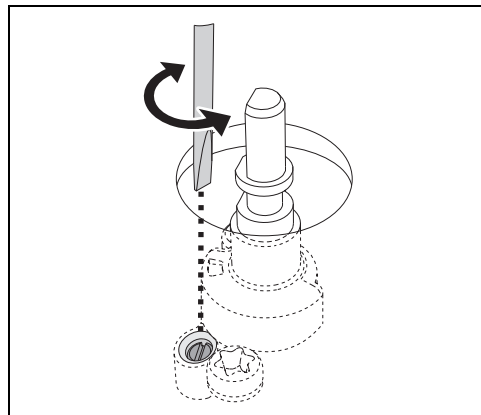
11. After adjusting each burner, reassemble the appliance correctly.



The nozzle tightening torque must be no more than 3 Nm.

Adjusting the minimum setting for natural or town gas

1. Light the burner and turn it to the minimum position.
2. Remove the gas tap knob and turn the adjustment screw next to the gas cock



3. Refit the knob and verify that the burner flame is stable.
4. Turn the knob rapidly from the maximum to the minimum setting: The flame should not go out.
5. Repeat the operation on all the gas taps.

Adjusting the minimum setting for LPG

Tighten the screw located at the side of the cock spindle clockwise all the way.



Following adjustment to a gas other than the one originally set in the factory, replace the gas setting label on the appliance with the one corresponding to the new gas. The label is inserted inside the nozzle pack (where present).

Lubricating the gas cocks

Over time the gas cocks may become difficult to turn and get blocked. Clean them internally and replace the lubrication grease.



Lubrication of the gas cocks should be performed by a specialised technician.

Gas types and Countries

Gas types		IT	GB IE	FR BE	ES	PT	RU	SE DK	FI NO	PL	HU
1 Natural Gas G20											
G20	20 mbar	•	•		•	•	•	•	•	•	
G20/25	20/25 mbar			•							
2 Natural Gas G20											
G20	25 mbar										•
3 Natural Gas G25.1											
G25.1	25 mbar										•

Gas types	IT	GB IE	FR BE	ES	PT	RU	SE DK	FI NO	PL	HU
4 Natural Gas G2.350										
G2.350 13 mbar									•	
5 LPG G30/31										
G30/31 28-30/37 mbar	•	•	•	•	•	•				
G30/31 30/30 mbar							•	•		•
6 LPG G30/31										
G30/31 37 mbar									•	
7 Town Gas G110										
G110 8 mbar	•						•			

It is possible to identify the available gas types based on the country the appliance is to be installed in. Refer to the heading number to identify the correct values in the "Burner and nozzle characteristics tables".

Burner and nozzle specifications tables

1 Natural Gas G20 - 20 mbar	AUX	SR	RR	UR2 int + ext	UR3
Rated heating capacity (kW)	1.10	1.80	2.60	1.10 + 3.90	3.90
Nozzle diameter (1/100 mm)	73	95	115	73 + 140	140
Reduced flow rate (W)	400	500	750	400 + 1200	1400
Primary air (mm)	1	1.5	1	2 + 3	1.5
2 Natural Gas G20 - 25 mbar	AUX	SR	RR	UR2 int + ext	UR3
Rated heating capacity (kW)	1.10	1.80	2.60	1.10 + 3.90	3.9
Nozzle diameter (1/100 mm)	73	87	110	73 + 132	132
Reduced flow rate (W)	400	500	750	400 + 1200	1400
Primary air (mm)	1	1	1	3 + 4	1.5
3 Natural Gas G25.1 - 25 mbar	AUX	SR	RR	UR2 int + ext	UR3
Rated heating capacity (kW)	1.00	1.80	2.60	1.10 + 3.90	3.90
Nozzle diameter (1/100 mm)	76	98	123	76 + 150	150
Reduced flow rate (W)	400	500	750	400 + 1200	1400
Primary air (mm)	1	1	0.5	1.5 + 3	1.5
4 Natural Gas G2.350 - 13 mbar	AUX	SR	RR	UR2 int + ext	UR3
Rated heating capacity (kW)	1.10	1.80	2.60	1.10 + 3.90	3.90
Nozzle diameter (1/100 mm)	100	126	160	100 + 200	200
Reduced flow rate (W)	400	500	750	400 + 1200	1400
Primary air (mm)	1	1	1	2 + 2	3
5 LPG G30/31 - 30/37 mbar	AUX	SR	RR	UR2 int + ext	UR3
Rated heating capacity (kW)	1.10	1.8	2.6	1.0 + 3.50	3.90
Nozzle diameter (1/100 mm)	48	62	76	48 + 87	95
Reduced flow rate (W)	400	500	750	400 + 1200	1400
Primary air (mm)	1.5	1.5	1.5	4 + 10	4
Rated flow rate G30 (g/h)	80	131	189	73 + 255	284
Rated flow rate G31 (g/h)	79	129	186	71 + 250	279
6 LPG G30/31 - 37 mbar	AUX	SR	RR	UR2 int + ext	UR3
Rated heating capacity (kW)	1.10	1.80	2.60	1.10 + 3.70	3.90
Nozzle diameter (1/100 mm)	48	60	73	48 + 85	89
Reduced flow rate (W)	450	500	800	400 + 1400	1600
Primary air (mm)	1.5	1.5	1.5	4 + 10	4
Rated flow rate G30 (g/h)	80	131	189	80 + 269	284
Rated flow rate G31 (g/h)	79	129	186	79 + 264	276

7 Town gas G110 – 8 mbar	AUX	SR	RR	UR2 int + ext	UR3
Rated heating capacity (kW)	1.10	1.80	2.60	1.10 + 3.70	3.80
Nozzle diameter (1/100 mm)	132	165	210	132 + 290	290
Reduced flow rate (W)	400	500	750	400 + 1200	1400
Primary air (mm)	0.5	1	0.5	1 + 3	1.5

The nozzles not provided are available at Authorised Service Centres.

Electrical connection



See General safety instructions.

General information

Check the mains characteristics against the data indicated on the plate.

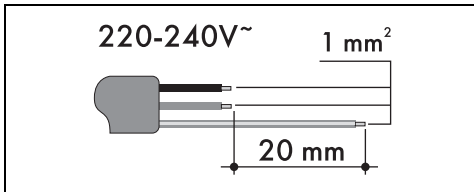
The identification plate bearing the technical data, serial number and brand name is visibly positioned on the appliance.

Do not remove this plate for any reason.

The appliance must be connected to ground using a wire that is at least 20 mm longer than the other wires.

The appliance can work in the following modes:

- 220-240 V 1N~



The values indicated refer to the cross-section of the internal conductor.



The aforementioned power cables are sized taking into account the coincidence factor (in compliance with standard EN 60335-2-6).

Fixed connection

Fit the power line with an all-pole circuit breaker with a contact separation distance sufficient to provide complete disconnection in category III overvoltage conditions, pursuant to installation regulations.

For the Australian/New Zealand market:

The circuit breaker incorporated in the fixed connection must comply with AS/NZS 3000.

Connection with plug and socket

Make sure that the plug and socket are of the same type.

Avoid using adapters, gang sockets or shunts as these could cause overheating and a risk of burns.

Section cut from the countertop

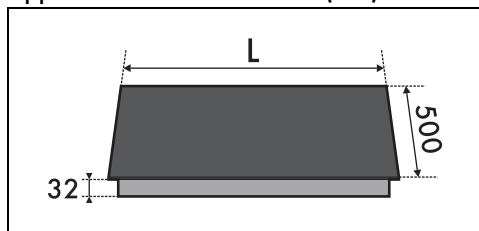
Safety instructions for positioning and installation



See General safety instructions.

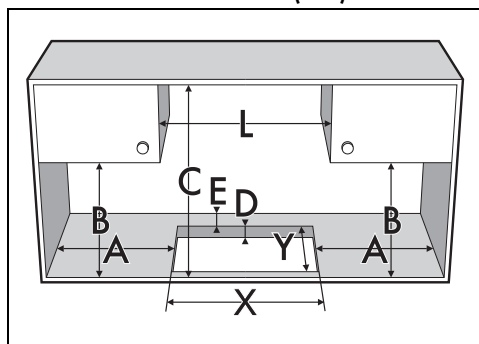
- Installation can be carried out on various materials such as masonry, metal, solid wood or plastic laminated wood as long as they are heat resistant (>90°C).
- Veneers, adhesives or plastic coatings on adjacent furniture should be temperature-resistant (>90°C), otherwise they might warp over time.
- If the piece of furniture does not have the required recess opening, either it will have to be cut or masonry work carried out by a competent technician.
- The minimum clearance between exhaust hoods and the cooking surface must be at least the distance indicated in the exhaust hood installation instructions.
- The minimum clearances must also be respected for the edges of the hob on the back as indicated in the assembly instructions.
- If the appliance is to be installed above an oven, the oven must be fitted with a cooling fan.

Appliance overall dimensions (mm)



	L
60 cm models	600
70 cm models	700

Built-in cabinet dimensions (mm)



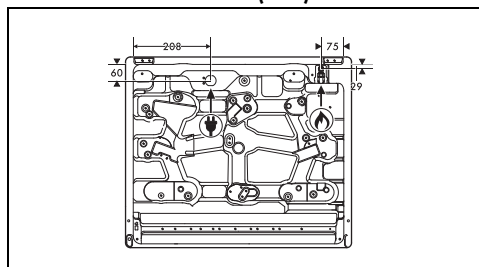
Mod. (mm)	X (mm)	Y (mm)
600	555 - 560	478÷482
700	555 - 560	478÷482

A (mm)	B (mm)	C (mm)*	D (mm)	E (mm)
min 150	min 460	min 750	20÷40	min 50

*If there is a piece of furniture above the hob. In the case of a hood refer to the dimensions indicated in the relevant manual.

**70 cm models with central UR.

Connection dimensions (mm)



Electrical connection

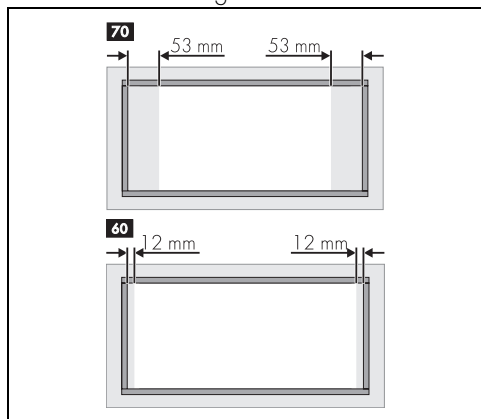


Gas connection

Hob seal

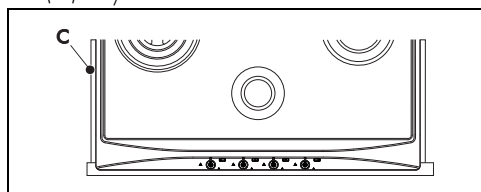
To prevent leakage of liquid between the frame of the hob and the countertop, place the adhesive seal provided along the entire outer edge of the hob before assembly.

1. Refer to the dimensions in the figure, bearing in mind that the front and rear sides of the seal must brush against the hole.



Do not use silicone to secure the hob. This would make it impossible to remove the hob without damaging it.

2. Use light pressure to make the seal stick to the edge around the hole cut in the worktop.
3. Carefully trim the surplus away from edge (C) beyond the seal.

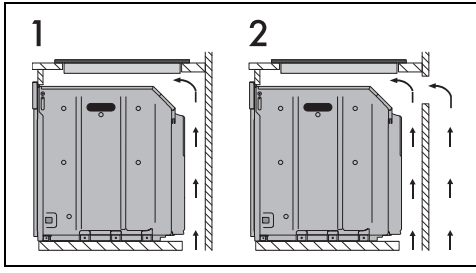


Mounting

Over built-in oven unit

The clearance between the hob and the kitchen units or other built-in appliances must be enough to ensure sufficient ventilation and air discharge. If installed above an oven, a space must be left between the bottom of the hob and the top of

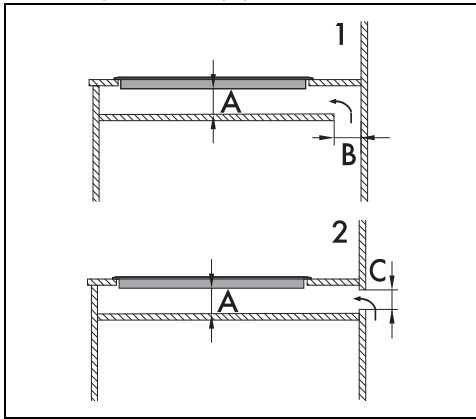
the appliance installed below.



- 1 Opens on bottom
- 2 Opens on bottom and back

On neutral compartment

If there are other pieces of furniture under the hob, a double-layer wooden base must be installed at least 20 mm from the bottom of the hob to avoid any accidental contact. It must only be possible to remove the double-layer base using suitable equipment.

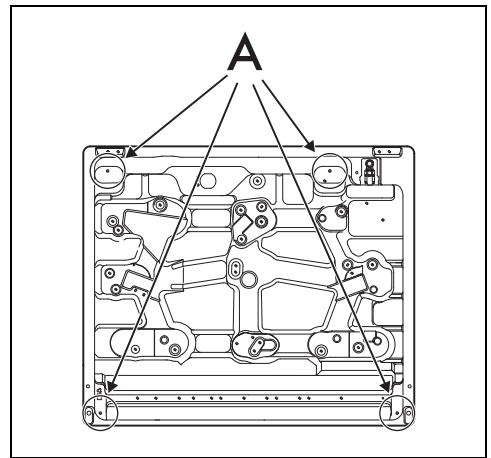


- 1 Opens on bottom
 - 2 Opens on rear
- A min. 10 mm - max. 50 mm
 B max. 50 mm
 C max. 50 mm

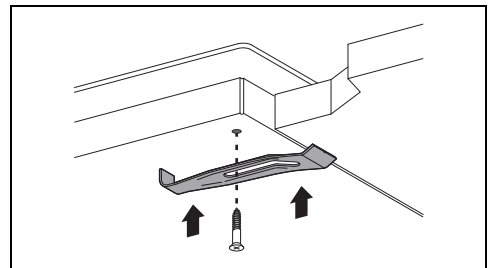
! Failure to install the double-layer wooden base exposes the user to possible accidental contact with sharp or hot parts.

Fixing to the built-in cabinet

In order to ensure fixing to the built-in cabinet and optimum centring, the supplied fixing brackets must be screwed into the holes in the bottom casing.



Screw the fixing brackets into the dedicated holes to properly fasten the hob to the built-in structure.



Instructions for the installer

- If you use a plug to connect to the power supply, the plug must be accessible after installation.
- Do not bend or trap the power cable.
- The appliance must be installed according to the installation diagrams.
- Do not try to unscrew or force the threaded elbow of the fitting. You may damage this part of the appliance, which may void the manufacturer's warranty.
- Use soap and water to check for gas leaks on all connections. DO NOT use naked flames to search for leaks.
- Turn on all the burners separately and at then all together to make sure that the gas valve, burner and ignition are working properly.
- Turn the burner knobs to the minimum position and check that the flame is stable for each individual burner and all the burners together.
- If the appliance does not work correctly

after having carried out all the checks, contact your local Authorised Service Centre.

- Once the appliance has been installed, please explain to the user how to use it correctly.