

MANUALE D'USO

FORNO DA INCASSO

IT

INSTRUCTION MANUAL

BUILT-IN OVEN

EN

MANUEL D'UTILISATION

FOUR ENCASTRABLE

FR

GEBRAUCHSANWEISUNG

EINBAUBACKOFEN

DE

GEBRUIKSAANWIJZING

INBOUWOVEN

NL

MANUAL DE USO

HORNO EMPOTRADO

ES

MANUAL DE UTILIZAÇÃO

FORNO DE ENCASTRAR

PT

РУКОВОДСТВО ПО ЭКСПЛУАТАЦИИ

ВСТРАИВАЕМЫЙ ДУХОВОЙ ШКАФ

RU

INSTRUKCJA UŻYTKOWNIKA

PIEKARNIK DO ZABUDOWY

PL

FMI625CN



ITALIANO

Gentile Cliente, desideriamo ringraziarLa per la fiducia accordataci.
Scegliendo un nostro prodotto, Lei ha optato per soluzioni in cui la ricerca estetica, abbinata ad una progettazione tecnica innovativa, offre oggetti unici che diventano elementi d'arredo.
Augurandole di apprezzare appieno le funzionalità del Suo elettrodomestico, Le porgiamo i nostri più cordiali saluti.

ENGLISH

Dear customer, we would like to thank you for your confidence in us.
By choosing one of our products, you have opted for solutions where research for beauty meets innovative technical design to provide unique objects which become pieces of furniture.
We hope you get the most out of your household appliance.
Kindest regards.

FRANÇAIS

Cher Client, nous souhaitons vous remercier pour la confiance que vous nous accordez.
En choisissant l'un de nos produits, vous avez opté pour des solutions dont la recherche esthétique, associée à une conception technique innovante, offre des objets uniques qui deviennent des éléments de décoration. Tout en vous souhaitant d'apprécier pleinement les fonctions de votre appareil électroménager, nous vous présentons nos salutations les plus cordiales.

DEUTSCH

Sehr geehrter Kunde, wir danken Ihnen für Ihr Vertrauen.
Mit der Wahl eines unserer Produkte haben Sie sich für Lösungen entschieden, deren Ästhetik und innovativer technischer Entwurf Einrichtungsgegenstände von besonderem Design schaffen.
In der Hoffnung, dass Sie die Funktionen Ihres Haushaltsgerätes voll und ganz genießen und schätzen werden, verbleiben wir mit freundlichen Grüßen.

NEDERLANDS

Geachte klant, we danken u hartelijk voor het in ons gestelde vertrouwen.
Door voor een van onze producten te kiezen hebt u gekozen voor oplossingen met een esthetiek en innovatief technisch ontwerp die resulteren in unieke voorwerpen die een onderdeel van uw meubilair zullen worden.
We hopen dat u de functionaliteiten van uw huishoudtoestel ten volle zal waarderen.
Met hoogachting

ESPAÑOL

Estimado Cliente, deseamos darle las gracias por la confianza que ha depositado en nosotros.
Al elegir uno de nuestros productos, usted ha optado por soluciones en que la búsqueda estética, combinada con una proyectación técnica innovadora, ofrece objetos únicos que se convierten en elementos de decoración.
Deseándole que pueda apreciar plenamente las funcionalidades de su electrodoméstico, le enviamos nuestros saludos más cordiales.

PORTUGUÊS

Caro Cliente, queremos agradecer-lhe pela confiança que em nós deposita.
Ao escolher um produto nosso, optou por soluções em que a procura estética, combinada com uma concepção técnica inovadora, oferece objetos únicos que se transformam em elementos de decoração. Desejando-lhe que desfrute totalmente das funcionalidades do seu eletrodoméstico, enviamos-lhe os nossos mais sinceros cumprimentos.

РУССКИЙ

Уважаемый клиент! Благодарим вас за оказанное нам доверие.
Приобретенная вами продукция нашей марки предоставляет решения, в которых изысканная эстетика в сочетании с инновационным техническим дизайном воплощена в уникальные изделия, идеально сочетающиеся с элементами интерьера.
Надеемся, что вы в полной мере оцените разнообразные функции вашего электроприбора. Выражаем вам наше глубокое уважение.

POLSKI

Szanowni Klienci, dziękujemy za okazane nam zaufanie.
Wybierając jeden z naszych produktów, wybrali Państwo rozwiązanie, które łącząc walory estetyczne z innowacyjnym wzornictwem technicznym, oferuje unikatowe przedmioty wyposażenia wnętrz.
Mamy nadzieję, że będą Państwo mogli w pełni korzystać z funkcjonalności tego urządzenia.
Serdecznie pozdrawiamy.

Contents

1	Instructions	28
1.1	General safety instructions	28
1.2	Instructions for using microwaves	29
1.3	To Reduce the Risk of Injury to Persons Grounding Installation	30
1.4	Manufacturer liability	31
1.5	Appliance purpose	32
1.6	Identification plate	32
1.7	Disposal	32
1.8	This user manual	33
1.9	How to read the user manual	33
2	Description	34
2.1	Names of Oven Parts and Accessories	34
2.2	Specifications	35
3	Use	36
3.1	Turntable Installation	36
3.2	Utensils	36
3.3	Materials you can use in microwave oven	37
3.4	Materials to be avoided in microwave oven	38
3.5	Operation Instructions	38
4	Cleaning and maintenance	47
4.1	Instructions	47
5	Installation	48

We advise you to read this manual carefully, which contains all the instructions for maintaining the appliance's aesthetic and functional qualities.

For further information on the product: www.smeg.com



1 Instructions

IMPORTANT SAFETY INSTRUCTIONS

PLEASE READ CAREFULLY AND RETAIN FOR FUTURE USE.

1.1 General safety instructions

Risk of personal injury

- **WARNING:** If the door or the door seal is damaged, the oven must not be used until it has been repaired by a competent person.
- **WARNING:** It is hazardous for anyone other than a competent person to carry out any service or repair operation which involves the removal of a cover which offers protection against exposure to microwave energy.
- **WARNING:** Liquids and other foods must not be heated in sealed containers since they are liable to explode.
- **WARNING:** During use the appliance and its accessible parts become very hot.
- Never touch the heating elements during use.
- Keep children under eight years of age at a safe distance if they are not constantly supervised.
- This appliance may be used by children aged at least 8 and by people of reduced physical and mental capacity, or lacking in experience in the use of electrical appliances, as long they are supervised or instructed by adults who are responsible for their safety.
- Children must never play with the appliance.
- The appliance must never be cleaned by unsupervised children.
- Switch off the appliance immediately after use.
- If smoke is emitted, switch off or unplug the appliance and keep the door closed in order to stifle any flames.
- Never attempt to extinguish a flame or fire with water.
- Have qualified personnel carry out installation and assistance interventions according to the standards in force.
- Do not modify this appliance.
- Do not insert pointed metal objects (cutlery or utensils) into the slots in the appliance.
- Do not try to repair the appliance yourself or without the intervention of a qualified technician.
- If the power supply cable is damaged, contact technical support immediately and they will replace it.



Risk of damaging the appliance

- Do not use abrasive or corrosive detergents on glass parts (e.g. powder products, stain removers and metallic sponges).
- Use wooden or plastic utensils.
- Do not use a steam jet to clean the appliance.
- Do not obstruct ventilation openings and heat dispersal slots.
- Never leave the appliance unattended during cooking operations where fats or oils could be released.
- Do not use the appliance to heat rooms for any reason.
- Do not rest any weight or sit on the open door of the appliance.
- Take care that no objects are stuck in the doors.

1.2 Instructions for using microwaves

- Check the appliance visually during the cooking of foods in plastic or paper containers.
- Use the microwave only for the preparation of food for consumption. Other types of applications are strictly forbidden (e.g. drying clothes, warming slippers, sponges, wet cloths or the like, dehydrating foods) because they can lead to the risk of injury or fire.
- Clean the appliance constantly and remove any food residue.
- Do not use the microwave to dry food.
- Do not use the microwave to heat oils or fry.
- Do not use the appliance to heat foods or beverages containing alcohol.
- Baby food should not be heated in sealed containers. Remove the cover or the teat (in the case of baby bottles). Always check the preparation's temperature once heating has completed, it should not be too high. For an even temperature and to avoid scalding stir or shake the contents.
- Do not heat eggs in their shells or whole hard boiled eggs; they may explode even after the



Instructions

heating process has completed.

- Before cooking food with a hard skin or peel (e.g. potatoes, apples, etc.) it is necessary to puncture the skin.
- Do not heat food contained within food packages.
- Do not use the microwave functions when the oven is empty.
- Use cookware and utensils that are suitable for use in a microwave oven.
- Do not use aluminium containers to cook food.
- Do not use dishes with metallic decorations (gold-plated or silver).
- The appliance operates in the 2.4GHz ISM band.
- In compliance with the provisions relating to electromagnetic compatibility the appliance belongs to group 2 and class B (EN 55011).

The instructions for use for fixed appliances and built-in appliances being used equal or higher than 900 mm above the floor and having detachable turntables shall state that care should be taken not to displace the turntable when removing containers from the appliance. This is not applicable for appliances with horizontal bottom hinged door.

This appliance complies with the standards and directives currently in force concerning safety and electromagnetic compatibility. It is however recommended for pacemaker wearers to maintain a minimum distance of 20-30cm between the microwave when it is operating and the pacemaker. Consult the pacemaker manufacturer for more information.



1.3 To Reduce the Risk of Injury to Persons Grounding Installation



Power voltage Danger of electrocution

- Electric Shock Hazard Touching some of the internal components can cause serious personal injury or death. Do not disassemble this appliance.
- Electric Shock Hazard
- Improper use of the grounding can result in electric shock.
- Do not plug into an outlet until appliance is properly installed and grounded.
- This appliance must be grounded. In the event of an electrical short circuit, grounding reduces the risk of electric shock by providing an escape wire for the electric current.
- Consult a qualified electrician or serviceman if the grounding instructions are not completely understood or if doubt exists as to whether the appliance is properly grounded.
- If it is necessary to use an extension cord, use only a 3-wire extension cord.

- The long cord should be arranged so that it will not drape over the counter top or tabletop where it can be pulled on by children or tripped over unintentionally.

1.4 Manufacturer liability

The manufacturer declines all liability for damage to persons or property caused by:

- Use of the appliance other than the one envisaged;
- Non-observance of the user manual provisions;
- Tampering with any part of the appliance;
- Use of non-original spare parts.

1. A short power-supply cord is provided to reduce the risks resulting from becoming entangled in or tripping over a longer cord.
2. If a long cord set or extension cord is used:
 - The marked electrical rating of the cord set or extension cord should be at least as great as the electrical rating of the appliance.
 - The extension cord must be a grounding-type 3-wire cord.



Instructions

1.5 Appliance purpose

- This appliance is intended for cooking food in the home environment. Every other use is considered inappropriate. It cannot be used:
 - in employee kitchens, shops, offices and other working environments.
 - in farms/agritourism establishments.
 - by guests in hotels, motels and residential environments.
 - in bed and breakfast establishments.
- The appliance is not designed to operate with external timers or with remote-control systems.

1.6 Identification plate

- The identification plate bears the technical data, serial number and brand name of the appliance. Do not remove the identification plate for any reason.

1.7 Disposal



This appliance must be disposed of separately from other waste (Directives 2002/95/EC, 2002/96/EC, 2003/108/EC). The appliance does not contain substances in quantities sufficient to be considered hazardous to health and the environment, in accordance with current European directives.



Power voltage

Danger of electrocution

- Disconnect the main power supply.
- Disconnect the power cable from the electrical system.

To dispose of the appliance:

- Cut the power supply cable and remove it along with the plug (if present).
- Deliver the appliance to the appropriate recycling centre for electrical and electronic equipment waste, or return it to the retailer when purchasing an equivalent product, on a one for one basis.

Our appliances are packed in non-polluting and recyclable materials.

- Deliver the packing materials to the appropriate recycling centre.



Plastic packaging

Danger of suffocation

- Do not leave the packaging or any part of it unattended.
- Do not let children play with the packaging plastic bags.



1.8 This user manual

This user manual is an integral part of the appliance and must therefore be kept in its entirety and within the user's reach for the whole working life of the appliance.

- Read this user manual carefully before using the appliance.

1.9 How to read the user manual

This user manual uses the following reading conventions:

Instructions



General information on this user manual, on safety and final disposal.

Description



Description of the appliance and its accessories.

Use



Information on the use of the appliance and its accessories, cooking advice.

Cleaning and maintenance



Information for proper cleaning and maintenance of the appliance.

Installation



Information for the qualified technician: Installation, operation and inspection.



Safety instructions



Information



Advice

1. Use instruction sequence.

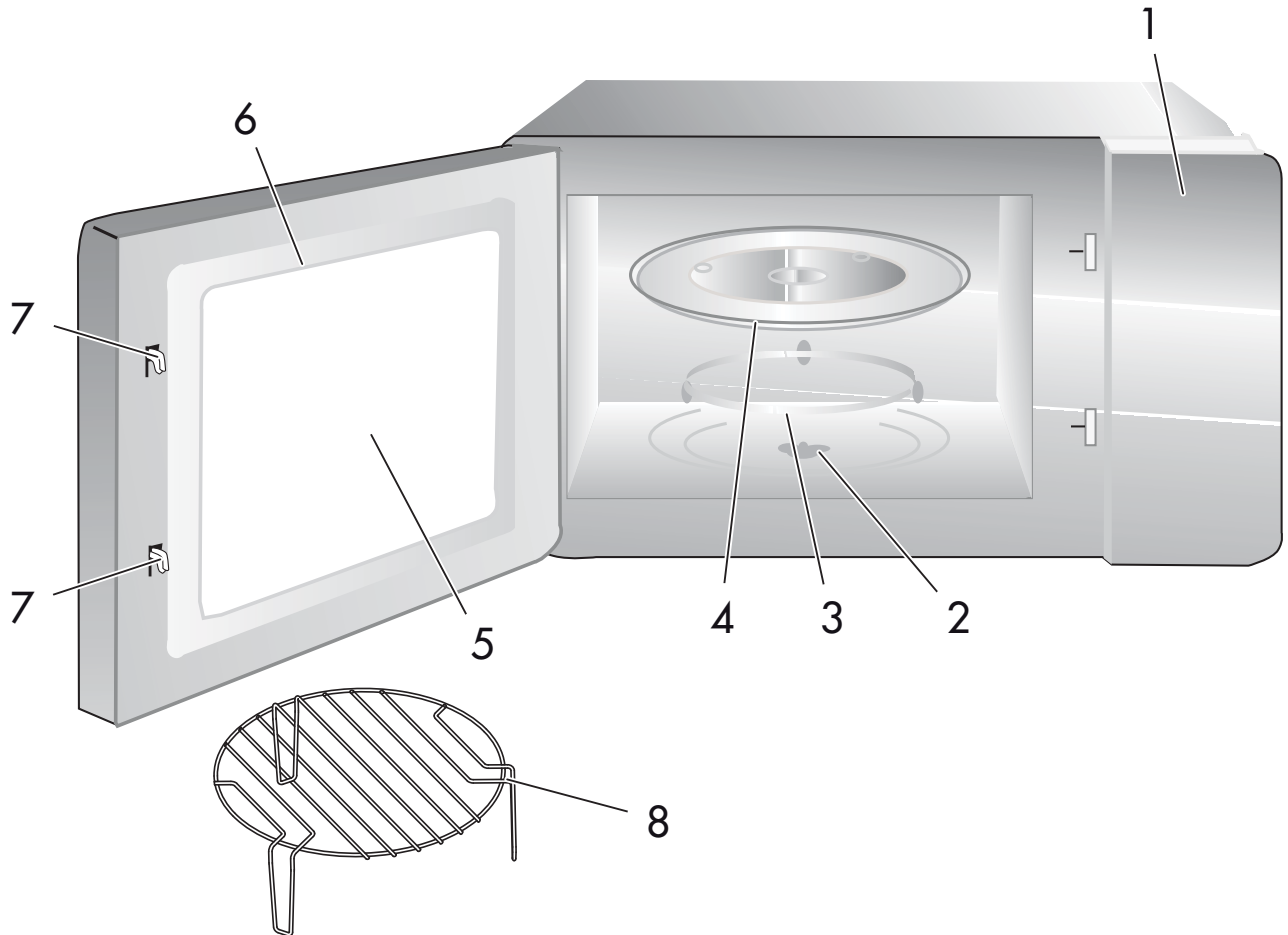
- Single use instruction.



Description

2 Description

2.1 Names of Oven Parts and Accessories



1 Control panel

2 Turntable shaft

3 Turntable ring assembly

4 Glass tray

5 Observation window

6 Door assembly

7 Safety interlock system

8 Grill Rack (Can not be used in microwave function and must be placed on the glass tray)



2.2 Specifications

Model:	FMI625CN.
Rated Voltage:	230V~50Hz
Rated Input Power (Microwave):	1450W
Rated Output Power (Microwave):	900W
Rated Input Power (Grill):	1100W
Rated Input Power (Convection):	2500W
Oven Capacity:	25L
Turntable Diameter:	315mm
External Dimensions:	595x470x388mm
Net Weight:	Approx. 21.5kg



Use

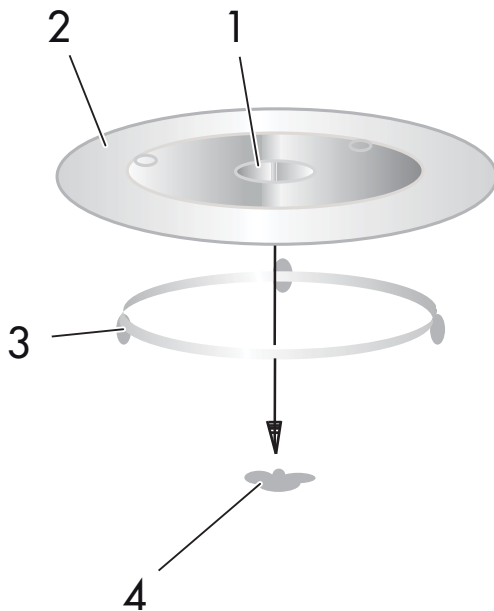
3 Use

Remove the oven and all materials from the carton and oven cavity.

Your oven comes with the following accessories:

- Glass tray.
- Turntable ring assembly.
- Instruction Manual.

3.1 Turntable Installation



1. Hub (underside)
2. Glass tray
3. Turntable shaft
4. Turntable ring assembly

- Never place the glass tray upside down. The glass tray should never be restricted.
- Both glass tray and turntable ring assembly must always be used during cooking.
- All food and containers of food are always placed on the glass tray for cooking.

- If glass tray or turntable ring assembly cracks or breaks, contact your nearest authorized service center.

3.2 Utensils



Caution

Personal Injury Hazard

It is hazardous for anyone other than a competent person to carry out any service or repair operation that involves the removal of a cover which gives protection against exposure to microwave energy.

See the instructions on "Materials you can use in microwave oven". There may be certain non-metallic utensils that are not safe to use for microwaving. If in doubt, you can test the utensil in question following the procedure below.

Utensil Test:

1. Fill a microwave-safe container with 1 cup of cold water (250 ml) along with the utensil in question.
2. Cook on maximum power for 1 minute.
3. Carefully feel the utensil. If the empty utensil is warm, do not use it for microwave cooking.
4. Do not exceed 1 minute cooking time.



3.3 Materials you can use in microwave oven

Utensils	Remarks
Browning dish	Follow manufacturer's instructions. The bottom of browning dish must be at least 3/16 inch (5mm) above the turntable. Incorrect usage may cause the turntable to break.
Dinnerware	Microwave-safe only. Follow manufacturer's instructions. Do not use cracked or chipped dishes.
Glass jars	Always remove lid. Use only to heat food until just warm. Most glass jars are not heat resistant and may break.
Glassware	Heat-resistant oven glassware only. Make sure there is no metallic trim. Do not use cracked or chipped dishes.
Oven cooking bags	Follow manufacturer's instructions. Do not close with metal tie. Make slits to allow steam to escape.
Paper plates and cups	Use for short-term cooking/warming only. Do not leave oven unattended while cooking.
Paper towels	Use to cover food for reheating and absorbing fat. Use with supervision for a short-term cooking only.
Parchment paper	Use as a cover to prevent splattering or a wrap for steaming.
Plastic	Microwave-safe only. Follow the manufacturer's instructions. Should be labeled "Microwave Safe". Some plastic containers soften, as the food inside gets hot. "Boiling bags" and tightly closed plastic bags should be slit, pierced or vented as directed by package.
Plastic wrap	Microwave-safe only. Use to cover food during cooking to retain moisture. Do not allow plastic wrap to touch food.
Thermometers	Microwave-safe only (meat and candy thermometers).
Wax paper	Use as a cover to prevent splattering and retain moisture.



Use



3.4 Materials to be avoided in microwave oven


Utensils	Remarks
Aluminum tray	May cause arcing. Transfer food into microwave-safe dish
Food carton with metal handle	May cause arcing. Transfer food into microwave-safe dish.
Metal or metal- trimmed utensils	Metal shields the food from microwave energy. Metal trim may cause arcing.
Metal twist ties	May cause arcing and could cause a fire in the oven.
Paper bags	May cause a fire in the oven.
Plastic foam	Plastic foam may melt or contaminate the liquid inside when exposed to high temperature.
Wood	Wood will dry out when used in the microwave oven and may split or crack

3.5 Operation Instructions

Clock Setting

When the microwave oven is electrified, the screen will display "0:00", buzzer will ring once.

1. Press  twice to select clock function, the hour figures will flash.
2. Press "+" or "-" to adjust the hour figures, the input time should be within 0--23.
3. Press , the minute figures will flash.
4. Press "+" or "-" to adjust the minute figures, the input time should be within 0--59.

5 Press  to finish clock setting. ":" will flash, and the time will light.



1) The clock function will not work if the clock is not set.

2) During the process of clock setting, if you press "stop/clear", the oven will go back to the previous status automatically.



Microwave Cooking

1. Press **P** once, the screen will display "P100".
2. Press "+" or "-" to choose the power you want, and "P100", "P80", "P50", "P30" or "P10" will display for each added press. Then press "Start/+30Sec./Confirm" to confirm, and press "+" or "-" to set cooking time from 0:05 to 95:00.
3. Press "Start/+30Sec./Confirm" again to start cooking.

Example: If you want to use 80% microwave power to cook for 20 minutes, you can operate the oven as the following steps:

1. Press **P** once, the screen displays "P100".
2. Press "+" once to choose 80% microwave power.
3. Press "Start/+30Sec./Confirm" to confirm, and the screen displays "P 80".
4. Press "+" or "-" to adjust the cooking time until the oven displays "20:00".
5. Press "Start/+30Sec./Confirm" to start cooking.



The step quantities for the adjustment time of the coding switch are as follow:

- 0-1 min: 5 seconds
- 1-5 min: 10 seconds
- 5-10 min: 30 seconds
- 10-30 min: 1 minute
- 30-95 min: 5 minutes

Grill or Combi. Cooking

"Micro./Grill/Conve./Combi" Pad instructions

Order	Display	Microwave Power
1	P100	100%
2	P80	80%
3	P50	50%
4	P30	30%
5	P10	10%



Use

1. Press **P** repeatedly until "G" display. Then press "+" or "-" to choose the cooking mode you want, and "G", "C-1", "C-2", "C-3" or "C-4" will display for each added press.
2. Then press "Start/+30Sec./Confirm" to confirm, and press "+" or "-" to set cooking time from 0:05 to 95:00.

3. Press "Start/+30Sec./Confirm" again to start cooking.



If half the grill time passes, the oven sounds twice, and this is normal. In order to have a better effect of grilling food, you should turn the food over, close the door, and then press "Start/+30Sec./Confirm" to continue cooking. If no operation, the oven will continue working.

Dysplay	Microwave	Grill	Convection
C-1	•		•
C-2	•	•	
C-3		•	•
C-4	•	•	•



Convection Cooking (With preheating function)

The convection cooking can let you to cook the food as a traditional oven. Microwave is not used. It is recommended that you should preheat the oven to the appropriate temperature before placing the food in the oven.

1. Press **P** repeatedly until 130 degrees displays.
2. Press "+" OR "-" to select the convection temperature. The temperature can be chosen from 130 degrees to 220 degrees.
3. Press "Start/+30Sec./Confirm" to confirm the temperature.
4. Press "Start/+30Sec./Confirm" to start preheating. When the preheating temperature arrives, the buzzer will sound twice to remind you to put the food into the oven. And the preheated temperature is displayed and flash.
5. Put the food into the oven and close the door. Press "+" OR "-" to adjust the cooking time. (The maximum setting time is 95 minutes.)
6. Press "Start/+30Sec./Confirm" key to start cooking.




Cooking time cannot be input until the preheating temperature arrives.

- If the temperature arrives, door must be opened to input the cooking time.
- If the time not input in 5 minutes, the oven will stop preheating. The buzzer sound five times and turn back to waiting states.


Convection Cooking (Without preheating function)

1. Press **P** repeatedly until 130 degrees displays.
2. Press "+" or "-" to select the convection temperature. The temperature can be chosen from 130 degrees to 220 degrees.
3. Press the "Start/+30Sec./Confirm" to confirm the temperature
4. Press "+" or "-" to adjust the cooking time. (The maximum setting time is 95 minutes.)
5. Press the "Start/+30Sec./Confirm" key to start cooking.

Defrost By Weight

1. Press , once, and the oven will display "dEF1".
2. Press "+" OR "-" to select the weight of food from 100 to 2000 g.
3. Press "Start/+30Sec./Confirm" to start defrosting.


Defrost By Time

1. Press , twice, and the oven will display "dEF2".
2. Press "+" OR "-" to select the defrost time. the MAX time is 95 minutes.
3. Press "Start/+30Sec./Confirm" to start defrosting.



Use

Kitchen Timer

1. Press  once, the screen will display 00:00.
2. Press "+" or "-" to enter the correct timer. (The maximum cooking time is 95 minutes.)
3. Press "Start/+30Sec./Confirm" to confirm setting.
4. When the kitchen time is reached, clock indicator will go out. The buzzer will ring 5 times. If the clock has been set (24-hour system), the screen will display the current time.

Auto Menu

1. Press "+" or "-" to choose the menu, and "A1" to "A10" will display, which means auto reheat, potato, meat, vegetable, fish, pasta, soup, cake, pizza and chicken.
2. Press "Start/+30Sec./Confirm" to confirm.
3. Press "+" or "-" to choose the default weight as the menu chart.
4. Press "Start/+30Sec./Confirm" to start cooking.



The kitchen Time is different from 24-hour system. Kitchen Timer is a timer.

Multi-section cooking

At most 2 sections can be set for cooking. In multi-section cooking, if one section is defrosting, then defrosting shall be placed in the first section automatically. When the first section is over, the buzzer will sound a beep to start the second section.



The automatic menu procedure:


Menu	Weight	Display	Power
A1 AUTO REHEAT	150g	150g	100%
	250g	250g	
	350g	350g	
	450g	450g	
	600g	600g	
A2 POTATO	1 (about 230g)	1	100%
	2 (about 460g)	2	
	3 (about 690g)	3	
A3 MEAT	150g	150g	100%
	300g	300g	
	450g	450g	
	600g	600g	
A4 VEGETABLE	150g	150g	100%
	350g	350g	
	500g	500g	
A5 FISH	150g	150g	80%
	250g	250g	
	350g	350g	
	450g	450g	
	650g	650g	
A6 PASTA	50g (with 450g cold water)	50g	80% microwave
	100g (with 800g cold water)	100g	
	150g (with 1200g cold water)	150g	
A7 SOUP	200ml	200	100%
	400ml	400	
	600ml	600	
A8 CAKE	475g	475g	Preheat to 180 °C
A9 PIZZA	200g		C-4
	300g		
	400g		
A10 CHICKEN	500g	500g	C-4
	750g	750g	
	1000g	1000g	
	1200g	1200g	



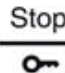
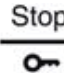
Speedy Cooking

1. In waiting state, press "Start/+30Sec./Confirm" key to cook with 100% power level for 30 seconds. Each press on the same key can increase 30 seconds. The maximum cooking time is 95 minutes.
2. During the microwave, grill, convection, combination cooking and the defrost by time process, press "Start/+30Sec./Confirm" to increase the cooking time.
3. In waiting state, press "_" to set cooking time with 100% microwave power, then press "Start/+30Sec./Confirm" to start cooking.

Inquiring Function

1. In states of microwave, grill, combination and convection cooking, press **P**, the current power will be displayed for 2-3 seconds.
2. In cooking state, press  to inquire the time and the time will display for 3 seconds.

Lock-out Function for Children

1. Lock: In waiting state, press  for 3 seconds, there will be a long beep denoting entering the children-lock state and the current time will display if the time has been set, otherwise, the screen will display "0:00".
2. Lock quitting: In locked state, press  for 3 seconds, there will be a long "beep" denoting that the lock is released.

Specification


1. "Start/+30Sec./Confirm" must be pressed to continue cooking if the door is opened during cooking;
2. Once the cooking programme has been set, "Start/+30Sec./Confirm" is not pressed in 5 minutes. The current time will be displayed. The setting will be cancelled.
3. The buzzer sounds once by efficient press, inefficient press will be no response.
4. The buzzer will sound five times to remind you when cooking is finished.

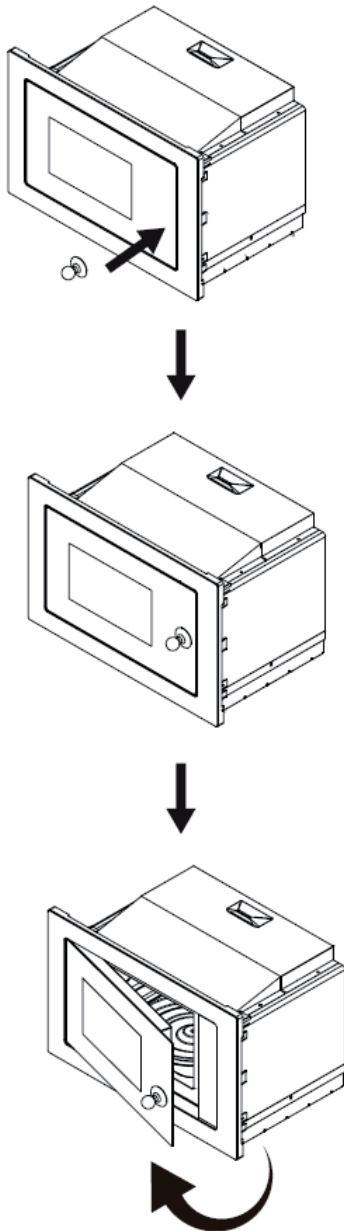
The oven lamp

After cooking, the oven lamp will turn off if the door is closed. If the door is opened over 10 minutes without any operation, the lamp will off automatically.



Open the oven door

Press  button, the oven door will be opened. If the button does not work, please open the door by the sucker. Refer to the following figures.





Use

Troubleshooting

Normal	
Microwave oven interfering TV reception	Radio and TV reception may be interfered when microwave oven operating. It is similar the interference of small electrical appliances, like mixer, vacuum cleaner, and electric fan. It is normal
Dim oven light	In low power microwave cooking, oven light may become dim. It is normal.
Steam accumulating on door, hot air out of vents	In cooking, steam may come out of food. Most will get out from vents. But some may accumulate on cool place like oven door. It is normal.
Oven started accidentally with no food in.	It is forbidden to run the unit without any food inside. It is very dangerous.

Trouble	Possible Cause	Remedy
Oven can not be started.	(1) Power cord not plugged in tightly	Unplug. Then plug again after 10 seconds
	(2) Fuse blowing or circuit breaker works.	Replace fuse or reset circuit breaker (repaired by professional personnel of our company)
	(3) Trouble with outlet	Test outlet with other electrical appliances.
Oven does not heat.	(4) Door not closed well	Close door well.



4 Cleaning and maintenance

4.1 Instructions

Be sure to unplug the appliance from the power supply.

1. Clean the cavity of the oven after using with a slightly damp cloth.
2. Clean the accessories in the usual way in soapy water.
3. The door frame and seal and neighbouring parts must be cleaned carefully with a damp cloth when they are dirty.
4. Do not use harsh abrasive cleaners or sharp metal scrapers to clean the oven door glass since they can scratch the surface, which may result in shattering of the glass.
5. Cleaning Tip---For easier cleaning of the cavity walls that the food cooked can touch: Place half a lemon in a bowl, add 300ml (1/2 pint) water and heat on 100% microwave power for 10 minutes. Wipe the oven clean using a soft, dry cloth.



Installation

5 Installation

1. This appliance is only intended for domestic use.
2. This oven is intended for built-in use only. It is not intended for counter-top use or for use inside a cupboard.
3. The appliance must only be connected to a properly installed earthed socket.
4. The mains voltage must correspond to the voltage specified on the rating plate.
5. The socket must be installed and connecting cable must only be replaced by a qualified electrician. If the plug is no longer accessible following installation, an all-pole disconnecting device must be present on the installation side with a contact gap of at least 3mm.
6. Adapters, multi-way strips and extension leads must not be used. Overloading can result in a risk of fire

Electrical connection

The oven is fitted with a plug and must be only connected to a properly installed earthed socket.

In accordance with the appropriate regulations, the socket must only be installed and the connecting cable must only be replaced by a qualified electrician. If the plug is no longer accessible following installation and all-pole isolating switch must be present on the installation side with a contact gap at least 3mm.

A. Built-in furniture

The built-in cabinet shall not have a rear wall behind the appliance.

Minimum installation height is 85cm.

Do not cover ventilation slots and air intake points.



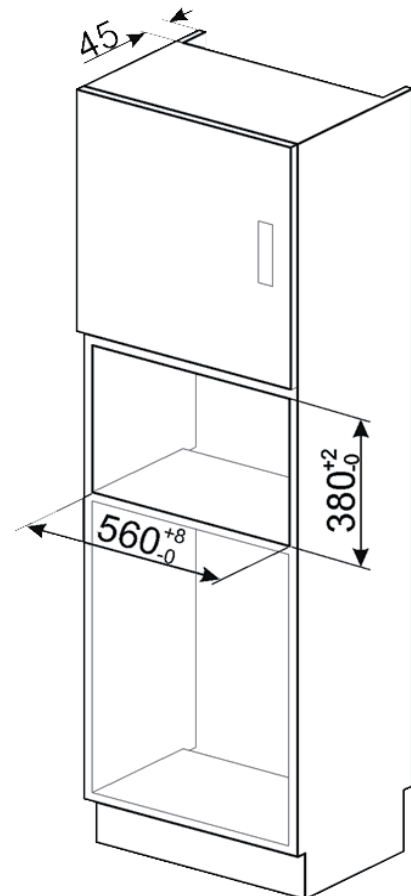
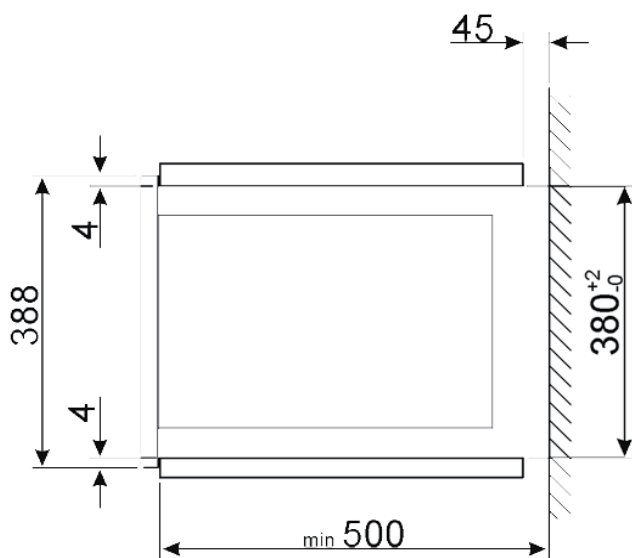
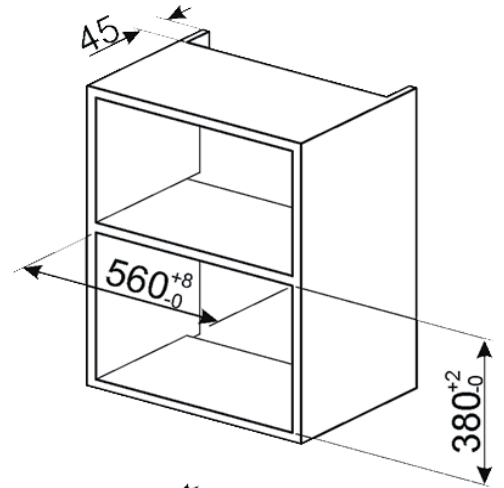
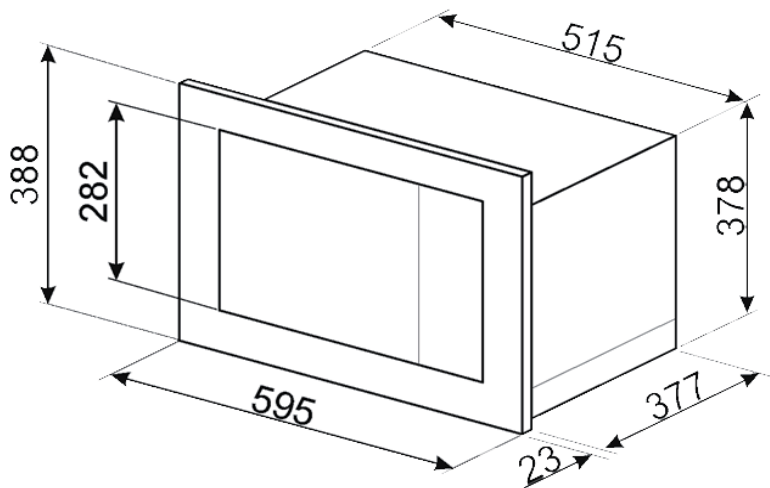
High temperatures inside the oven after use

Danger of burns

- The accessible surface may be hot during operation.

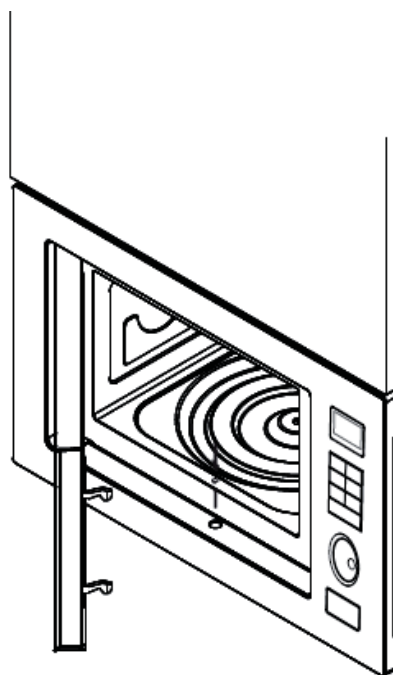
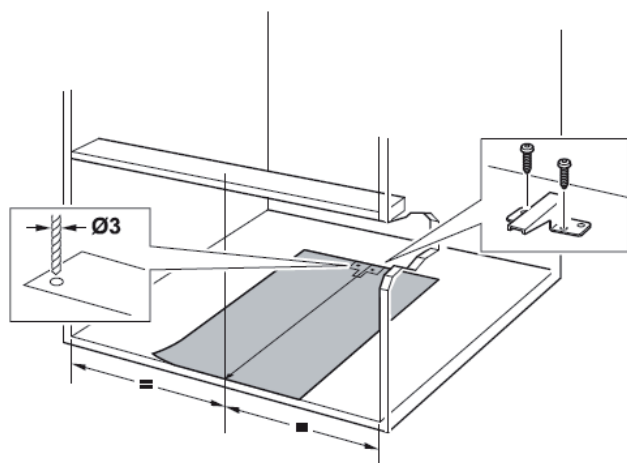
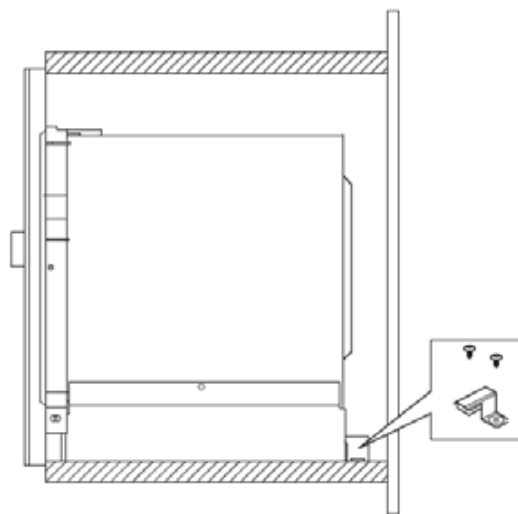
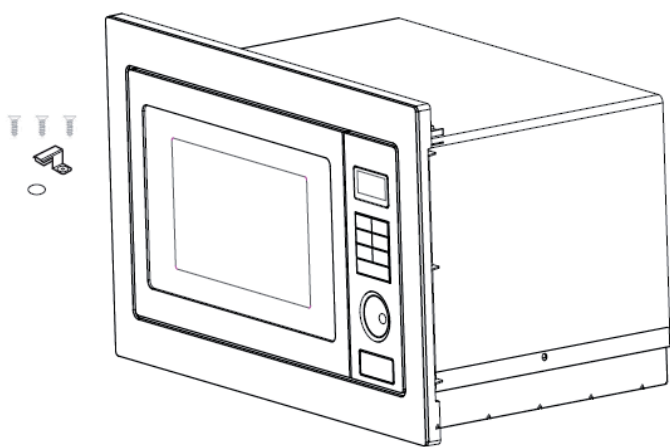


Appliance overall dimensions (mm)





Installation



Il costruttore si riserva di apportare senza preavviso tutte le modifiche che riterrà utili al miglioramento dei propri prodotti. Le illustrazioni e le descrizioni contenute in questo manuale non sono quindi impegnative ed hanno solo valore indicativo.

The manufacturer reserves the right to make any changes deemed useful for improvement of its products without prior notice. The illustrations and descriptions contained in this manual are therefore not binding and are merely indicative.

Le fabricant se réserve la faculté d'apporter, sans préavis, toutes les modifications qu'il jugera utiles pour l'amélioration de ses produits. Les illustrations et les descriptions figurant dans ce manuel ne sont pas contraignantes et n'ont qu'une valeur indicative.

Der Hersteller behält sich vor, ohne vorherige Benachrichtigung alle Änderungen vorzunehmen, die er zur Verbesserung seiner Produkte für nützlich erachtet. Die in diesem Handbuch enthaltenen Illustrationen und Beschreibungen sind daher unverbindlich und dienen nur zur Veranschaulichung.

De fabrikant behoudt zich het recht voor zonder waarschuwing alle wijzigingen aan te brengen die hij nodig acht om zijn producten te verbeteren. De afbeeldingen en de beschrijvingen die aanwezig zijn in deze handleiding zijn niet bindend, en hebben enkel een aanduidende waarde.

El fabricante se reserva el derecho a aportar sin aviso previo todas las modificaciones que considere útiles para la mejora de sus propios productos. Las ilustraciones y las descripciones contenidas en este manual no comprometen, por tanto, al fabricante y tienen un valor meramente indicativo.

O fabricante reserva-se o direito de efetuar, sem aviso prévio, qualquer modificação que vise o melhoramento dos respectivos produtos. As ilustrações e descrições contidas neste manual, não são, por isso, vinculativas e possuem apenas valor indicativo.

Производитель оставляет за собой право вносить без предупреждения все изменения, которые посчитает полезными для улучшения собственной продукции. Рисунки и описания, содержащиеся в данном Руководстве по эксплуатации, не имеют обязательств и имеют ознакомительный характер.

Producent zastrzega sobie prawo do nanoszenia, bez uprzedniego powiadomienia, wszelkich zmian, które uzna za stosowne w celu ulepszenia swoich produktów. Rysunki i opisy zawarte w niniejszej instrukcji nie są zobowiązujące i mają charakter przykładowy.

SMEG S.p.A.

Via Leonardo Da Vinci, 4
42016 San Girolamo di
Guastalla (RE)
ITALY

www.smeg.com