



DOLCE & GABBANA

MANUALE D'USO  
INSTRUCTION MANUAL

USER MANUAL  
COFFEE GRINDER

كتيب الاستخدام  
مطحنة القهوة

EN  
AR



## Important information for the user

معلومات هامة للمستخدم



### Instructions

تحذيرات

General information on this user manual, on safety and final disposal

معلومات عامة عن دليل استخدام هذا الجهاز وسلامة استخدامه وكيفية التخلص عن الجهاز بشكل نهائي



### Description

الوصف

Appliance description

وصف الجهاز



### Use

الاستعمال

Information on using your appliance

معلومات عن استخدام الجهاز



### Cleaning and care

التنظيف و الصيانة

Information for proper cleaning and maintenance of the appliance

معلومات لتنظيف وصيانة الجهاز بشكل صحيح



### Safety instructions

تحذير للسلامة



### Information

معلومات



### Advice

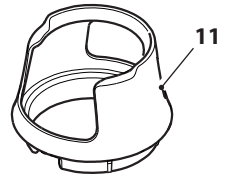
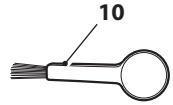
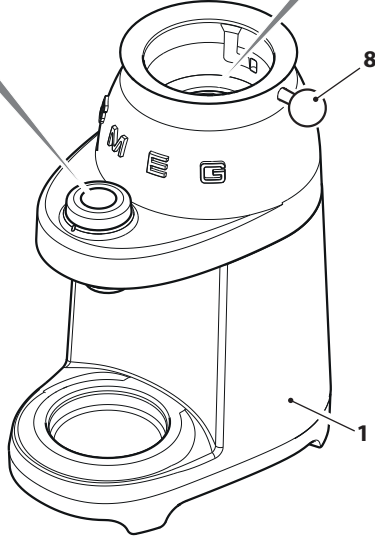
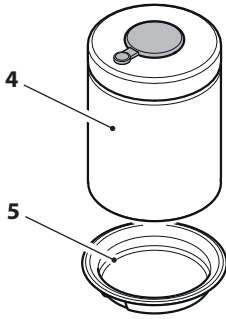
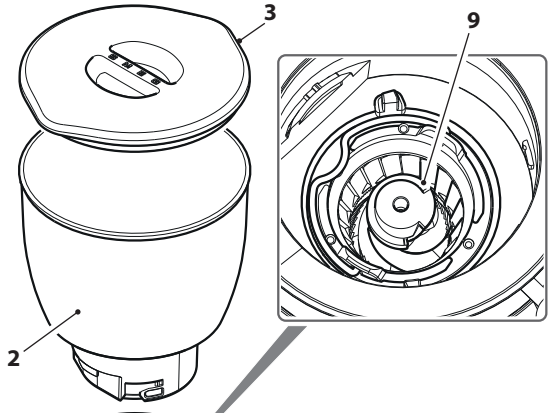
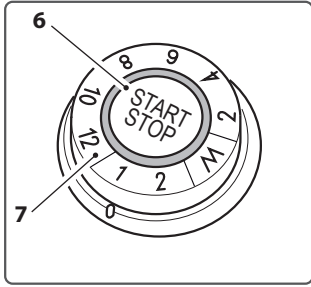
اقتراحات

Dear Customer, Thank you for choosing this special edition Smeg – Dolce&Gabbana, Blu Mediterraneo small domestic appliance. Smeg and Dolce&Gabbana have combined their artistic talents to create a unique collection, made in Italy by Smeg with unmistakable Dolce&Gabbana design touches. We hope you enjoy using your new appliance! Kindest regards.

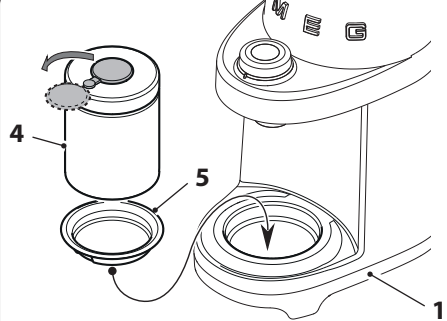
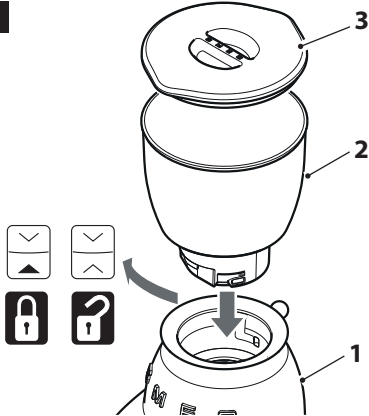
نشكرك على اختيار هذا الإصدار الخاص من Smeg – Dolce&Gabbana Blu Mediterraneo. قامت شركتي Smeg – Dolce&Gabbana بدمج مواهبهما الفنية لإخراج تشكيلة فريدة من نوعها، مصنوعة في إيطاليا بواسطة شركة Smeg وباللمسات التصميمية الخالية من الأخطاء لشركة Dolce&Gabbana. نأمل أن تستمتع باستخدام هذا الجهاز الجديد! مع أطيب التمنيات

**SMEG S.p.A.**

"A"

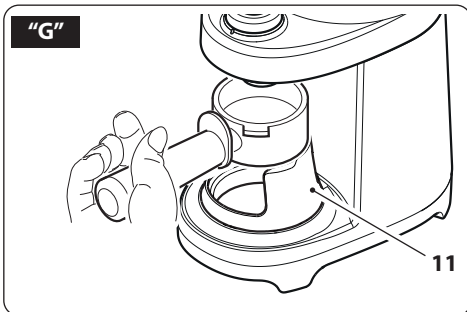
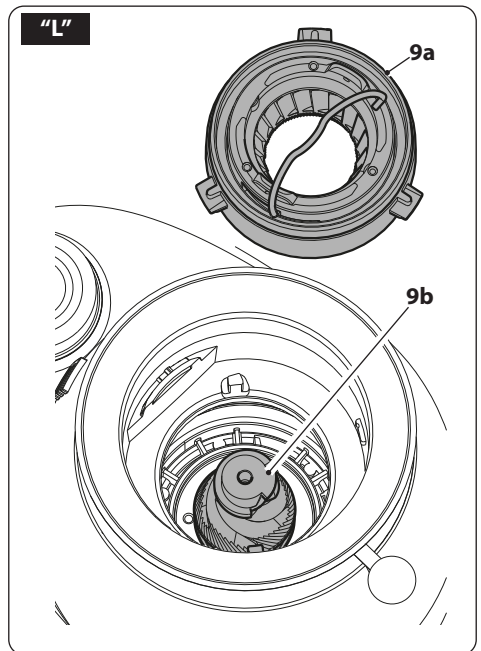
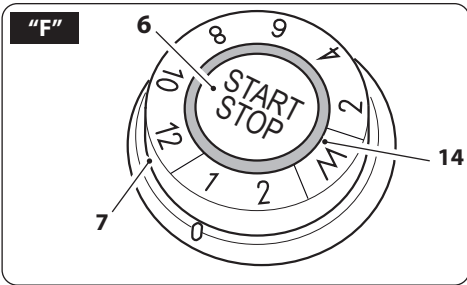
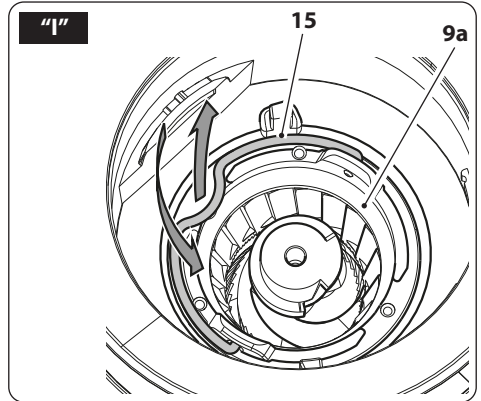
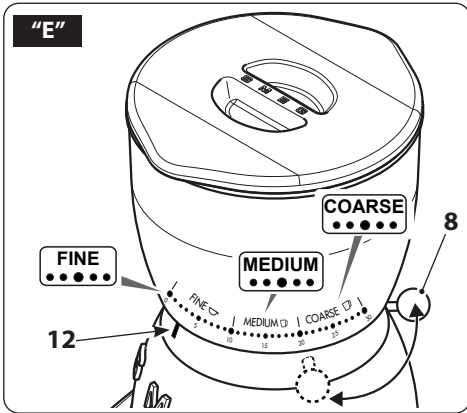
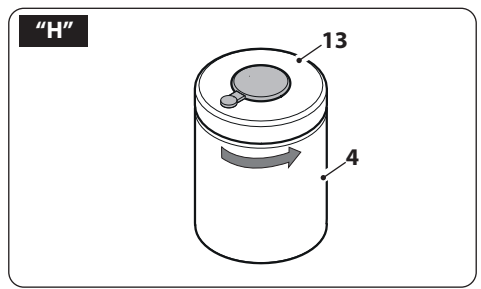
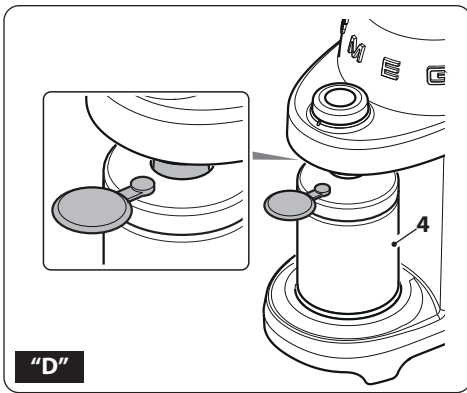


"B"



"C"







## Recommendations

### SAFETY

#### Essential safety recommendations.

Since the appliance operates with electric current, the following safety recommendations must be followed:

- Do not touch the plug with wet hands.
- Make sure that the power outlet used is always freely accessible, because only in this way can it be unplugged when necessary.
- To remove the plug from the power outlet, grip the plug directly. Never pull the cable, it could be damaged.
- If the appliance should break down, do not attempt to repair it.

Switch the appliance off, remove the plug from the power outlet and contact the Smeg Technical After-sales centre.

- If the plug or power supply cable are damaged, have them replaced exclusively by the Technical After-sales centre, so as to prevent all risks.
- Do not immerse the appliance in water.
- Attention: disconnect the plug before cleaning.
- Do not allow the power supply cable to dangle over the edge of the table or other surface or to come into contact with hot surfaces.
- Do not use the appliance for more than 90 seconds consecutively. Leave the appliance to cool down for approx. 15 minutes before using it again.

Keep the packaging material (plastic bags, expanded polystyrene) out of the reach of children.

- Do not position the appliance on or in proximity of electric or gas cookers, or in a heated oven.
- Verify that there are no foreign objects inside the coffee grinder.
- Switch off the appliance and disconnect from supply before changing accessories or approaching parts that move in use.

### Connect the appliance

**Warning!** Make sure that the mains voltage and the frequency correspond with those indicated on the data plate on the bottom of the appliance.

Only connect the appliance to a current outlet installed perfectly with minimum capacity of 10A and with an efficient earth.

If the plug and power outlet are incompatible, have the power outlet replaced with a suitable type by qualified staff.

- This appliance must not be used by children.
- Keep this appliance and the cable out of the reach of children.
- Children must not play with the appliance.
- The appliance can be used by persons with reduced physical and sensory conditions or lack of experience and knowledge, if supervised or instructed concerning safe use of the appliance by a person responsible for their safety and they understand the risks connected.
- Disconnect the appliance from the power outlet before all assembly, disassembly and cleaning operations.



## Use compliant with destination

- The appliance is intended for household and similar use, such as:
  - in the kitchen area for the staff of shops, offices and other work environments;
  - in bed and breakfast and agritourism accommodation;
  - by guests at hotels and motels, and in residential environments.
- Other uses, in restaurants, bars and cafes for example, are improper.

## Manufacturer's liability

The manufacturer declines all liability for damage undergone by persons and objects due to:

- use of the appliance different from that envisioned;
- user manual has not been read;
- tampering of individual parts of the appliance;
- use of non-original spare parts;
- failure to comply with safety recommendations.



Keep these instructions carefully. Whenever the appliance is transferred to other persons, they must also be given these user instructions.

## DISPOSAL

Electrical appliances must not be disposed of with household waste. The appliances



that have this symbol are subject to the European Directive 2012/19/EU. All discarded electric and electronic appliances must be disposed of separately from household waste, by taking them to relevant centres envisioned by the Country. By disposing of the discarded appliance correctly, damage to the environment and risks to health will be avoided. For further information regarding disposal of the discarded appliance, contact the Municipal Administration, the Disposal dept. or the shop where the appliance was purchased.





## DESCRIPTION OF THE APPLIANCE (Fig. A)

- 1 Motor base
- 2 Coffee bean container (350 g)
- 3 Coffee bean container lid
- 4 Ground coffee container with lid
- 5 Container support plate
- 6 START/STOP button
- 7 Grinding functions selection knob
- 8 Grinding level adjustment lever
- 9 Grinder
- 10 Cleaning brush
- 11 Centring filter support

## IDENTIFICATION PLATE

The identification plate states the technical data, serial number, and marking. The identification plate must never be removed.

## BEFORE FIRST USE (Fig. A)

- Unpack the appliance carefully and remove all packaging materials and promotional labels.
- Wash all components, except for the motor base (1) and the grinder (9), with hot water and normal washing-up liquid. Rinse all components thoroughly and dry them before using them.



The grinder must never be washed and must always be kept dry. Clean the grinder with the cleaning brush provided or with a hard-bristle brush.



Before use, check that all components are integral and have no cracks.

## ASSEMBLY OF COMPONENTS (Fig. B-C-D)

- Place the container (2) on the motor base (1) matching up the two reference notches "∨" "∧" on the left side of the motor body (1). Next rotate the container (2) clockwise until the two "∨" "▲" indications match.
- Position the lid (3) on the container (2) and press it down.
- Position the plate (5) on the motor base (1) in a way to secure it.
- Open the silicone cap of the ground coffee container (4) and position it on the plate (5).
- Make sure that the rubber dispenser cone is centred in the hole of the container lid (4) as shown in Fig. D.

## DESCRIPTION OF CONTROLS (Fig. E-F)

### Grinding adjustment lever (8)

The appliance has a lever (8), which allows to adjust the level of grinding appropriate to your use:

<b>FINE</b>	Fine grinding
<b>MEDIUM</b>	Medium grinding
<b>COARSE</b>	Coarse grinding


Move the lever to make the indicator (12) correspond with the desired grinding level.




## Quantity of grinding selection knob (7)

The appliance has 8 pre-set functions and a manual function, which can be selected using the knob (7).

Each function corresponds to a predefined quantity of ground coffee.

Knob icon	Quantity
	<b>1</b> Grinding for single Espresso
	<b>2</b> Grinding for double Espresso
<b>2</b>	Grinding for 2 cups
<b>4</b>	Grinding for 4 cups
<b>6</b>	Grinding for 6 cups
<b>8</b>	Grinding for 8 cups
<b>10</b>	Grinding for 10 cups
<b>12</b>	Grinding for 12 cups
<b>M</b>	Manual function

In relation to the selected quantity, it is advised to adjust the coffee grain by moving the indicator (12) as indicated in the table below.

Use	Level of Grinding indicator (12)	Functions knob (7)
Espresso coffee machine	FINE	<b>1 - 2</b> 
Moka		
Filter coffee machine	MEDIUM	<b>2</b>
		<b>4</b>
		<b>6</b>
		<b>8</b>
French Press	COARSE	<b>10</b>
		<b>12</b>

The Manual function (M) can be used at will with any level of grinding.

## USE (Fig. A-E-F-G-H)



Make sure the upper grinder (9A) is inserted and secured in its seat.

- Insert the plug into the power outlet.
- Lift the lid (3) and introduce the coffee beans into the container (2).



If the LED located on the knob blinks, it means that the appliance is in error condition: beans container not present or not inserted correctly.

## Grinding the coffee into the container (4)

- Position the powder container (4) on the plate (5) being careful to open the silicon cap.
- Select the desired level of grinding by positioning the indicator (12) on the gradation desired.
- Select the desired quantity by rotating the knob (7) and making the red indicator of the ring match with the desired program: from "2" to "12".
- Press the START/STOP button (6) to start grinding. For all pre-set programs, grinding will end automatically, excluding the manual function (M).
- When grinding has been completed, remove the container (4) from the appliance.
- To withdraw the ground coffee from the container (4), open it by turning the lid (13) anti-clockwise and remove it.



## Description/Use



Grind coffee in proper quantity, make sure that coffee powder is lower than the ground coffee container maximum level mark.



During manual operation mode (M), remain near the coffee grinder: it is necessary to press START/STOP again to stop grinding. Make sure to stop grinding before that coffee powder exceeds the ground coffee container maximum level mark.



Coffee may lose flavour quickly once ground. For optimal results, use coffee powder immediately after grinding. Store the ground coffee container in a dark, fresh and dry environment. Make sure the coffee powder level is lower than the container maximum level mark and that the container lid is firmly closed and screwed.

### Grinding the coffee into the espresso coffee filter-holder

- Use the relevant accessory (11) supplied and fix it as indicated in Figure G to facilitate centring of the filter-holder. Position any filter-holder under the dispensing cone.
- Select the FINE grinding level.
- Select the "1 ☐" or "2 ☐" program according to the capacity of its filter.
- Press the START/STOP button (6) to start grinding. For all pre-set programs, the grinding will end automatically.
- When grinding has been completed, remove the filter-holder.



Filter-holder not supplied.



If the manual grinding operating time exceeds the safety time set (90 seconds), the motor stops automatically.



During the grinding phase, do not rotate the knob (7) from one program to another and do not move the grain selection lever (8).



If a finer level of grinding than that currently used is to be set, it is highly recommended to remove the grinder and clean it, removing any residual beans, before proceeding with a new grinding operation. See the CLEANING AND MAINTENANCE section to remove the grinder.



A beans locking system allows to safely raise the container (2) from the motor base (1) avoiding beans leakage.



The coffee grinder has an auto-switch-off button (stand-by) if it is not used after 90 seconds. Press the START/STOP button to re-activate the product.



### GRINDING TIMES (Fig. E-F)

The functions envision pre-set supply settings of ground coffee. However, depending on personal taste, the pre-set amount of ground coffee can be increased or decreased, thus customising the different functions.

#### Customise the amount of grinding for espresso coffee

- Make sure that the grinding indicator (12) is positioned at an adequate grinding level for espresso coffee (FINE).
- Turn the knob (7) to "1 ☕".
- Press the START/STOP button (6) to start grinding and hold it down for the desired time; the lock nut (14) flashes during the programming phase.
- On releasing the button, grinding stops, the lock-nut stops flashing and the new setting is memorised.



By modifying the amount of single espresso coffee ground, the amount of double espresso coffee is also modified automatically.

#### Customising the amount of ground coffee for American/French press coffee

- Make sure that the grinding indicator (12) is positioned at an adequate grinding level for American/French press coffee (MEDIUM/COARSE).
- Turn the knob (7) to "2".
- Press the START/STOP button (6) to start grinding and hold it down for the desired time; The lock nut (14) flashes during the programming phase.
- On releasing the button, grinding stops, the lock-nut stops flashing and the new setting is saved.



By modifying the amount of American/French press coffee ground, for the 2-cup selection, the amount of espresso coffee for the other pre-set functions present on the knob is modified automatically (from 2 to 12).

#### Resetting factory values

To reset the factory values:

- Turn the knob (7) onto program "12".
- Press the START/STOP button (6) and hold it down for 5 seconds. The lock-nut (14) flashes 5 times indicating that all factory-set values have been reset (for Espresso functions and Filter Coffee/French Press functions).



# Cleaning and maintenance

## CLEANING AND MAINTENANCE

### (Fig. A-H-I-L):

- Make sure the coffee bean container (2) is empty and then run in manual mode (M) to remove any coffee residue from the grinder.



Before carrying out any cleaning operation, ALWAYS disconnect the plug from the power outlet.  
Never immerse the motor base (1) in water or other liquids.

- Remove the container (2) by turning it anti-clockwise.
- Remove any coffee beans present in the machine using the cleaning brush (10) supplied.
- Lift the handle (15) and turn the upper grinder (9a) anti-clockwise to release it and then remove it.
- Clean the upper grinder (9a) and the lower grinder (9b) and the coffee outlet cavity using a brush with hard bristles or the supplied cleaning brush (10).
- Re-mount the upper grinder (9a) making the two notches "∨" "∧" correspond and rotating clockwise to fix it "∨" "▲"
- The ground coffee bean container (2,4), the lid (3), and the plate (5) can be washed using warm water and neutral detergent.
- The motor base (1) can be cleaned using a damp cloth, avoiding the use of detergents or abrasive materials.

# Cleaning and maintenance



## What To Do If.....

Problem	Possible causes	Solution
The appliance does not work.	Plug not connected.	Connect the plug.
	The coffee bean container is not inserted correctly.	Check that the coffee bean container is correctly inserted in the motor base.
	The motor thermal protection is activated automatically after 90 seconds of continuous operation.	Wait (approx. 15 minutes) for the thermal protection to reset.
The Led on the knob blinks.	The coffee beans container is not inserted correctly.	Check that the beans container is correctly inserted on the motor base. See the Assembly of Components paragraph to assemble the container.
The appliance stops during operation.	The motor thermal protection is activated automatically after 90 seconds of continuous operation.	Wait (approx. 15 minutes) for the thermal protection to reset.
The appliance works but ground coffee does not escape.	No coffee beans in the relative container.	Load the coffee beans.
	Grinder blocked.	Remove the grinder and check there are no objects blocking rotation.
The set grinding level is incorrect or difficult.	The upper part of the grinder (9a) is missing.	Insert and secure the upper grinder (9a) in its seat.
	Grinders worn.	Replace the grinders by taking the appliance to an authorised after-sales centre.



Contact local technical support if the problem is not solved or in case of other types of faults.

The manufacturer reserves the right to make any changes deemed useful for improvement of its products without prior notice. The illustrations and descriptions contained in this manual are therefore not binding and are merely indicative.

”تحفظ جهة التصنيع لنفسها بالحق في القيام بجميع التعديلات التي تراها مناسبة لتحسين منتجاتها دون إنذار مسبق. ولذلك، لا تعتبر الرسوم التوضيحية والأوصاف الواردة في هذا الدليل ملزمة وإنما ذات قيمة إرشادية فقط“