



DOLCE & GABBANA

INSTRUCTION MANUAL

INSTRUCTIONS MANUAL

CITRUS JUICER

EN

MODE D'EMPLOI

PRESSE-AGRUMES

FR

MANUAL DE USO

EXPRIMIDOR DE CÍTRICOS

ES



---

**Important information for the user**  
**Informations importantes pour l'utilisateur**  
**Información importante para el usuario**

---



**Instructions / Instructions / Instrucciones**



**Description / Description / Descripción**



**Use / Usage / Uso**



**Cleaning and maintenance / Nettoyage et entretien / Limpieza y mantenimiento**



**Safety instructions / Directives de sécurité / Instrucciones de seguridad**



**Information / Informations / Información**



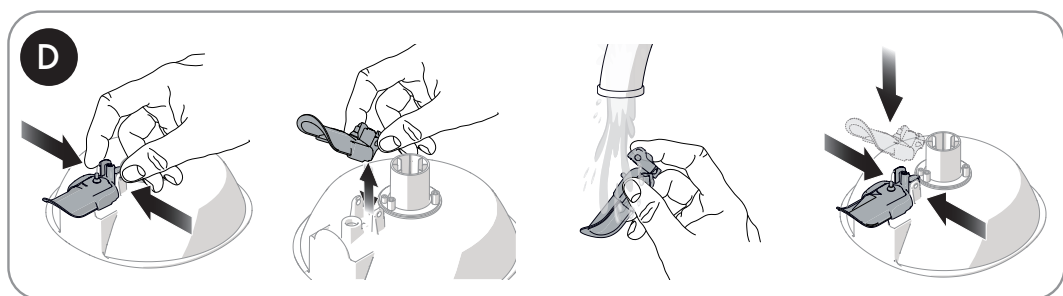
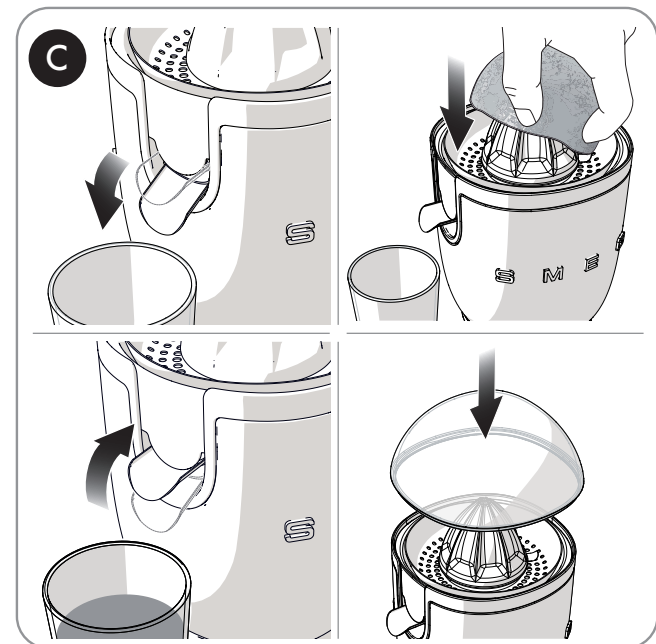
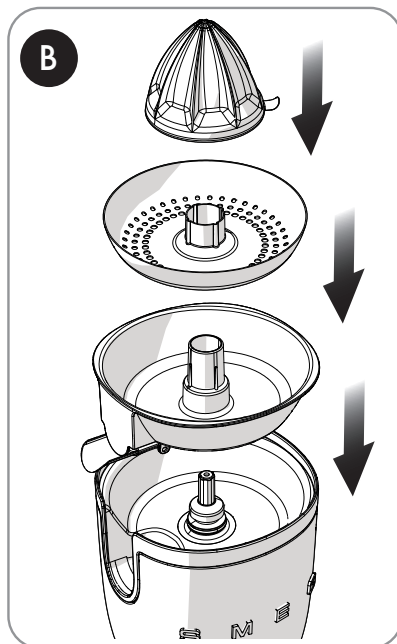
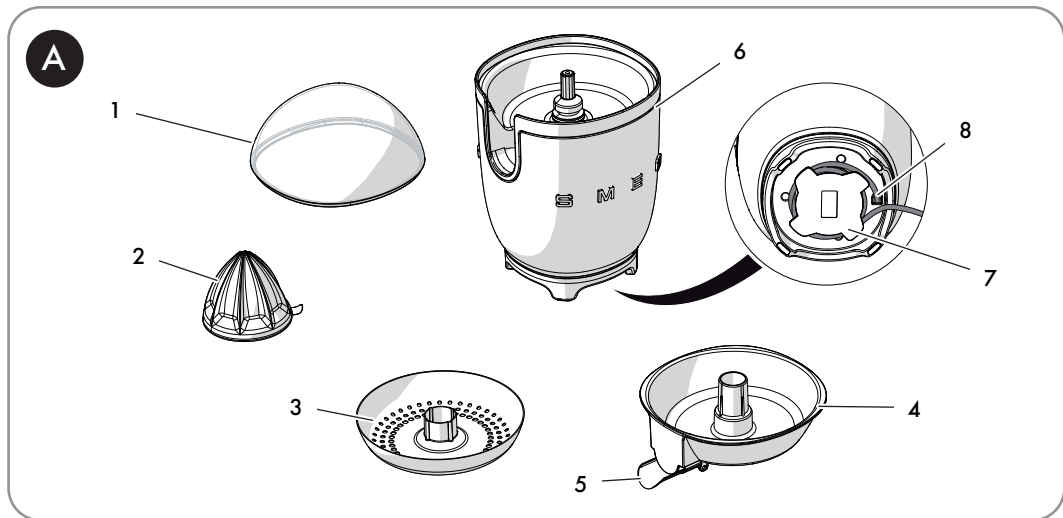
**Advice / Conseil / Recomendaciones**

Dear Customer, Thank you for choosing this special edition Smeg – Dolce&Gabbana, Blu Mediterraneo small domestic appliance. Smeg and Dolce&Gabbana have combined their artistic talents to create a unique collection, made in Italy by Smeg with unmistakable Dolce&Gabbana design touches. We hope you enjoy using your new appliance! Kindest regards.

Cher client, Nous vous remercions d'avoir acheté un petit appareil électroménager de l'édition spéciale Smeg – Dolce&Gabbana, Blu Mediterraneo. Smeg et Dolce&Gabbana associent leurs veines artistiques donnant vie à une collection unique, originale Made in Italy, réalisée par Smeg avec une créativité unique signée Dolce&Gabbana. Nous espérons que vous pourrez apprécier pleinement votre appareil électroménager, nous vous présentons nos salutations les plus cordiales.

Estimado/a cliente, Le agradecemos por haber escogido un pequeño electrodoméstico de la edición especial Smeg – Dolce&Gabbana, Blu Mediterraneo. Smeg y Dolce&Gabbana unen sus espíritus artísticos, dando vida a una colección única, original «Made in Italy», realizada por Smeg con la inconfundible expresividad creativa de Dolce&Gabbana. Deseamos que disfrute al máximo de todas las funciones de su electrodoméstico, le enviamos nuestros saludos más cordiales.





# IMPORTANT SAFEGUARDS



**WARNING:** If the instructions contained in this manual are not followed precisely, fire or explosion may result causing property damage, personal injury or death.



## READ AND SAVE THESE INSTRUCTIONS

Your safety and the safety of others are very important.

We have provided many important safety messages throughout this manual and on the appliance.

Read all the instructions before using the appliance and always obey all safety messages.



## RECOGNIZE SAFETY INFORMATION

This is a safety alert symbol. This symbol alerts you to potential hazards that can result in severe personal injury or death.

## UNDERSTAND SIGNAL WORDS

A signal word - DANGER, WARNING or CAUTION - is used with the safety alert symbol. DANGER denotes the most serious hazards. It means you could be killed or seriously injured if you do not immediately follow the instructions. WARNING means you could be killed or seriously injured if the instructions are not followed. CAUTION indicates a potentially hazardous situation, which, if not avoided, could result in minor to moderate injury.

## WARNING



- This appliance is intended for use in the home only.
- Use this appliance only for its intended purpose. The manufacturer cannot be held liable for damage caused by improper use of this appliance.
- This appliance complies with current safety regulations. Improper use of this appliance can result in personal injury and material damage.
- Read all the instructions before installing or using the appliance for the first time.
- Keep these operating instructions in a safe place and pass them on to any future user.



# IMPORTANT SAFEGUARDS

The safety messages will inform you of potential hazards, on how to avoid the risk of injury and what can occur if the instructions are not followed.

**IMPORTANT:** Observe all codes and ordinances in force.

**WARNING:** For your safety, the instructions contained in this manual must be followed to minimize the risk of fire or explosion and to prevent property damage, personal injury or death.

Do not store or use gasoline or other flammable vapors, liquids or materials near this or any other appliance.



**NOTE:** This appliance is NOT designed for installation in manufactured (mobile) homes or in recreational vehicles (RVs).

**DO NOT** install this appliance outdoors.

# IMPORTANT SAFEGUARDS



## WARNING



To reduce the risk of fire, electrical shock, personal injury, or damage when using the appliance, follow basic safety precautions, including the following:

Follow all safety precautions to ensure safe use of the appliance.

- Before using the appliance, read this user manual carefully.
- Do not use the appliance outdoors.
- Turn off the appliance immediately after use.
- Do not leave the appliance unattended while it is running.
- Unplug the appliance from the electric outlet before cleaning and after each use.
- Do not immerse the appliance, the power cord or plug in water or any other liquid.
- Do not use the appliance if the power cord or plug is damaged or if the appliance has been dropped or damaged in any way.
- Do not let the cord hang over the edge of a table or counter.
- If the power cord is damaged, contact the technical support service to get a replacement and to avoid possible hazards.
- Make sure the power cord does not come in contact with sharp edges.
- Do not place the appliance on or near switched-on gas or electric burners, inside an oven, or near heat sources.
- Never attempt to repair the appliance yourself or without the help of a qualified technician.
- In case of malfunction, have the appliance repaired by a qualified technician.
- Do not make any changes to the appliance.
- Never try to extinguish a flame/fire with water: turn off the appliance, unplug it from the outlet and cover the flame with a lid or a fire blanket.
- Turn the appliance OFF, then unplug from the outlet when not in use, before assembling or disassembling parts and before cleaning. To unplug, grasp the plug and pull from the outlet. Never pull from the power cord.
- The appliance may be used by children from 8 years of age provided they are supervised or instructed on the safe use of the appliance and provided they understand the risks involved.
- Cleaning and maintenance can be performed by children from 8 years of age if supervised.
- Children should not play with the appliance. Keep the appliance out of the reach of children.





# IMPORTANT SAFEGUARDS

## For this appliance

- During operation, avoid contact with the moving parts. Keep hands, hair, clothing and tools away from moving parts during operation to prevent injury or damage to the appliance.
- Always unplug the juicer if left unattended, before assembly and disassembly of components and before cleaning.
- Unplug the juicer from the outlet when it is not in operation, before cleaning and in case of malfunction.
- Allow the juicer to cool before cleaning.
- Do not lift, pull or move the juicer by pulling on the cord. Always pick up the juicer by the motor base to move it.
- Do not overfill the juice collector.
- Do not use the juicer for more than 3 consecutive minutes. Danger of the motor overheating!
- Do not use the juicer in combination with parts or accessories from other manufacturers.
- Use only original spare parts from the manufacturer. The use of spare parts not recommended by the manufacturer may cause fire, electric shock or injury to persons.
- Place the juicer only on flat, dry surfaces.
- Before starting up the juicer, make sure that it is properly assembled.
- Avoid spraying liquid onto the juicer's motor base or cord or getting them wet. In case of contact with liquid, immediately unplug the cord from the electrical outlet and dry thoroughly: Risk of electric shock!
- Avoid leaving dry pulp residues on surfaces of the juicer.
- Before use, make sure that the filter and spout are not blocked by pieces of pulp.
- Keep the juicer empty and clean before and after use.
- Do not use the juicer for storing objects.
- Do not use abrasive cleaners or sharp objects to clean or remove residual pulp from the citrus juicer's components.

**SAVE THESE INSTRUCTIONS**

# IMPORTANT SAFEGUARDS



## 1 Instructions

This user manual is an integral part of the appliance and must therefore be kept in its entirety and in an accessible place for the whole working life of the appliance.

### 1.1 Intended use

- Only use the appliance indoors and at a maximum altitude of 2000 metres.
- This appliance is intended for household use and similar applications such as:
  - staff kitchen areas in shops, offices and other working environments
  - bed and breakfast facilities / farm accommodation
  - by guests in hotels, motels and other residential accommodations.
- Any other use, for example in restaurants, coffee bars and coffee shops is considered improper.
- The appliance may be used to extract the juice of citrus fruit (oranges, grapefruit and lemons). Every other use is considered improper. Do not use the appliance for anything other than its intended use.
- The appliance is not designed to operate with external timers or with remote-control systems.
- The appliance is not to be used by persons (including children) with reduced physical, sensory or mental capabilities, or lack of experience and knowledge, unless they have been given supervision or instruction.
- Children being supervised not to play with the appliance.
- Keep the appliance out of the reach of children younger than 8.
- Cleaning and maintenance may be carried out by children who are at least 8 years old only if they are supervised by an adult.

### 1.2 General safety instructions

- Unplug the appliance before replacing moving or removable parts (for example, the juicing cone, strainer and juice collector).
- Do not leave the appliance unattended while it is operating.
- Do not immerse the appliance, the motor base, the power cord or the plug in water or any other liquid.
- Do not use the appliance if the power cable or plug appears to be damaged or if the appliance has been dropped or damaged in any way.
- In the event of a fault, or if the power cable is damaged, the appliance must be repaired only by a qualified technician or an authorised technical support centre.
- Prevent the power cable from coming into contact with sharp edges.
- Do not pull on the cord to unplug it from the power socket.
- Do not place the appliance above or near lit hob burners or electric rings, inside an oven or near other heat sources.
- Do not try to repair the appliance yourself or without the assistance of a qualified technician.
- Any modifications to the appliance will make the warranty invalid.
- Disconnect the appliance from the power socket before assembly, disassembly and cleaning, and as soon as you have finished using it.



# IMPORTANT SAFEGUARDS

## 1.3 Caution

- Disconnect the appliance from supply before changing accessories or approaching parts that move in use. Keep hands, hair and clothing, and utensils away from moving parts during operation to prevent personal injury and/or damage to the appliance.
- Always disconnect the citrus juicer from the power socket if it is left unattended and before assembly, disassembly or cleaning.
- Unplug the citrus juicer when it is not being used, before cleaning it and if you notice any fault.
- Let the citrus juicer cool down before cleaning.
- Do not lift, pull or move the citrus juicer using its cable. Always hold the citrus juicer by its motor body when moving it.
- Do not overfill the juice collector.
- Do not use the citrus juicer for long periods. The motor could overheat. If it stops because of prolonged use, allow the motor to cool down for 15-20 minutes.
- Do not use the citrus juicer with parts or accessories of other manufacturers.
- Only use original spare parts. The use of spare parts not approved by the manufacturer could lead to fires, electric shocks or personal injury.
- Only place the citrus juicer on level and dry surfaces.
- Ensure that the citrus juicer is correctly assembled before operating it.
- Avoid spraying liquid on the motor body and cable of the citrus juicer or getting them wet. In the event of contact with liquid, immediately unplug the citrus juicer and dry it thoroughly: Electric shock hazard!

- Before use, check that the strainer and spout are not blocked by pulp residue.
- Keep the citrus juicer clean and empty before and after each use.
- Do not use the citrus juicer for storing objects.

## 1.4 Manufacturer liability

The manufacturer shall not be liable for injuries or property damage caused by:

- Any use of the appliance other than the one it was designed for.
- Not having read the user manual.
- Tampering with any part of the appliance.
- The use of non-original spare parts.
- Not following the safety instructions.

# IMPORTANT SAFEGUARDS



## 1.5 Disposal



This appliance must be disposed of separately from other waste (Directive 2012/19/EU).

- The appliance does not contain substances in quantities sufficient to be considered hazardous to health and the environment, in accordance with current European directives.
- Old electrical equipment must not be disposed of with household waste! In accordance with the law in force, electrical appliances at the end of their life should be taken to separate collection facilities for electrical and electronic waste. This way, valuable materials from old appliances can be recycled and the environment can be protected. For more information, please contact your local authorities or recycling center employees.

Note that non-polluting and recyclable materials are used for packaging the appliance.

- Dispose of the packaging materials at appropriate differentiated waste collection centers.



### Plastic packaging

#### Danger of suffocation

- Do not leave the packaging or any part of it unattended.
- Do not let children play with the plastic bags.



### Danger of electrocution

- Plug into an earthed 3-pin socket.
- Do not remove the earth pin.
- Do not use an adapter.
- Do not use an extension cord.
- Failure to follow these instructions could result in death, fire, or electrical shock.
- Unplug the citrus juicer before cleaning it.
- Do not immerse the motor base in water or other liquids.



### Danger of sudden start-up

- Make sure the citrus juicer is unplugged before fitting or removing the juicer components.



## Moving parts

### Risk of personal injury or damage to the appliance

- Do not operate the citrus juicer for long periods. Leave the motor to cool down before operating it again.
- Do not insert fingers, forks or spoons into the spout. This could cause personal injury or damage the appliance.
- Keep hands, hair, loose jewellery, ties or clothing, spatulas and other objects away from the citrus juicer's cone and strainer to avoid personal injury or damage to the appliance.
- Do not touch the juicing cone or the strainer while the citrus juicer is plugged in.



## Improper use

### Risk of damage to surfaces

- Do not use steam jets to clean the appliance.
- Do not use cleaning products containing chlorine, ammonia or bleach on parts with metallic finishes (e.g. anodised, nickel- or chrome-plated).
- Do not use abrasive or corrosive detergents (e.g. powder products, stain removers and metallic scourers).
- Do not use rough or abrasive materials or sharp metal scrapers.

## 2 Product description (Fig. A)

- 1) Dust cover
- 2) Juicing cone
- 3) Strainer
- 4) Juice collector
- 5) Anti-drip spout
- 6) Motor body
- 7) Built-in cord wrap
- 8) Anti-slip feet



The components intended to come into contact with food are made of materials that comply with the provisions of current legislation.

## 3 Use

### 3.1 Before first use

- 1) Remove any labels and stickers from the citrus juicer.
- 2) Carefully wash the components of the citrus juicer and leave to dry completely (see "4.2 Cleaning the components of the citrus juicer").

### 3.2 Operation (Fig. B)

- 1) Insert the juice collector (4) in its housing above the motor body (6).
- 2) Fit the strainer (3) on the juice collector (4), then fit the cone (2) on the strainer (3).

### 3.3 Using the citrus juicer (Fig. C)

- 1) Cut the citrus fruit in half.
- 2) Place the citrus juicer on a level and dry surface.
- 3) Open the non-drip spout (5) by lowering it, and position a glass or other recipient underneath.
- 4) Insert the plug into the power socket.



- 5) Press the citrus half onto the juicing cone (2), ensuring that the non-drip spout (5) is open. The motor will start up automatically.
- 6) Once all the juice has been extracted, remove the citrus half from the cone (2) to stop the motor automatically.
- 7) Close the non-drip spout (5).
- 8) Once you have finished using the citrus juicer, thoroughly wash and dry the components (see "4.2 Cleaning the components of the citrus juicer").
- 9) Place the dust cover over the product (1)

## 4.2 Cleaning the components of the citrus juicer

The juicing cone (2), lid, (1) strainer (3) and juice collector (4) can also be washed in the dishwasher.

For best results, the anti-drip spout (5) can be detached and washed separately under running water (Fig. D).

Dry the components thoroughly, ensuring you fit the dust cover (1) when the appliance is not in use.



### Tips and suggestions for the user

- Do not press the citrus fruit down too hard onto the cone in order to prevent the bitter pith being extracted with the juice.
- Do not use hard or sharp objects to remove pulp so as not to scratch or damage the strainer or juicing cone.

## 4 Cleaning and maintenance

- Do not leave citrus pulp to dry on the citrus juicer surfaces.
- Do not use harsh detergents or sharp objects to wash or remove pulp residue from the citrus juicer's components.

### 4.1 Cleaning the motor base

To keep the outer surface of the motor base in good condition, it should be cleaned regularly after use. Let the appliance cool down first. Use a soft, damp cloth with mild detergent.



## Cleaning and maintenance

### 4.4 What to do if...

Problem	Cause	Solution
The appliance does not work.	The plug is not properly inserted in the power socket	Insert the plug into the power socket. Do not use adaptors or extensions. Make sure that the main circuit breaker is on.
	The cable is defective	Have the cable replaced at an Authorised Service Centre.
	Lack of power	Make sure that the main circuit breaker is on.
	Motor protection cut-out triggered due to continuous and prolonged use of the appliance	Wait 15/20 minutes for the motor to cool down.



If the problem has not been resolved or in the case of other types of fault, contact your local technical support centre.

The manufacturer reserves the right to make any changes deemed necessary for the improvement of its products without prior notice. The illustrations and descriptions contained in this manual are therefore not binding and are merely indicative.

Le fabricant se réserve le droit d'apporter toute modification jugée nécessaire pour l'amélioration de ses produits sans avis préalable. Les illustrations et les descriptions contenues dans ce manuel ne sont donc pas contraignantes et sont simplement indicatives.

El fabricante se reserva el derecho de realizar sin previo aviso cualquier modificación que considere necesaria para la mejora de sus productos. Por tanto, las ilustraciones y descripciones incluidas en este manual no son vinculantes y son puramente indicativas.