

Contents

1	IMPORTANT SAFETY INSTRUCTIONS	4
1.1	Definition	4
1.2	State of California Proposition 65 Warning	4
1.3	Intended purpose	5
1.4	Installation warnings	5
1.5	Installation cautions	6
1.6	Usage warnings	7
1.7	Usage cautions	9
1.8	Disposal Warning	9
1.9	How to read the user manual	10
2	Description	11
2.1	General Description	11
2.2	Description of parts	12
2.3	Control panel	13
2.4	Available accessories	14
3	Use	15
3.1	Instructions	15
3.2	Preliminary operations	15
3.3	First use	15
3.4	Using the accessories	17
3.5	Using the refrigerator compartment	18
3.6	Noises during operation	19
3.7	Turning the appliance off	19
3.8	Food storage advice	20
4	Cleaning and maintenance	21
4.1	Instructions	21
4.2	Cleaning the appliance	21
4.3	Defrosting	22
4.4	What to do if...	23
5	Installation	25
5.1	Electrical connection	25
5.2	Positioning	25

We advise you to read this manual carefully, as it contains all the instructions for maintaining the appliance's aesthetic and functional qualities.

For further information on the product: www.smeg.com



Instructions

1 IMPORTANT SAFETY INSTRUCTIONS

WARNING: If the instructions contained in this manual are not followed precisely, fire or explosion may result causing property damage, personal injury or loss of life.

READ AND SAVE THESE INSTRUCTIONS

1.1 Definition



DANGER:

not following instructions immediately may result in loss of life or severe injuries.



WARNING:

not following instructions may result in loss of life or severe injuries.



CAUTION:

indicates a potentially hazardous situation which, if not avoided, may result in minor to moderate injury.



NOTE:

Important information.

1.2 State of California Proposition 65 Warning



WARNING

This product can expose you to chemicals including vinyl chloride, which is known to the State of California to cause cancer and birth defects or other reproductive harm. For more information go to www.P65Warnings.ca.gov.



1.3 Intended purpose

This appliance is intended to be used in household and similar applications such as:

- staff kitchen areas in shops, offices and other working environments;
- farm houses and by clients in hotels, motels and other residential type environments;
- bed and breakfast type environments;
- catering and similar non-retail applications.
- This appliance is intended for indoor household use only.
- This appliance is suitable for the refrigeration and storage of fresh and frozen food.
- This appliance is not designed or manufactured for professional use.

1.4 Installation warnings



WARNING

- Use two or more people to move and install this appliance.
- The appliance is heavy and it must be secured during transport and installation.

- Do not install this appliance:
 - outdoor,
 - in manufactured (mobile) homes, in recreational vehicles (RVs) or boat.
 - near a heater or flammable material,
 - in a room where there is a risk of freezing,
 - in direct sunlight or exposed to heat from stoves.
- Always place the appliance in a dry and well ventilated room.
- Depending on its climate class, the appliance can be used in different temperature conditions. The climate class is specified on the nameplate of the appliance.
- Observe all codes and ordinances in force.
- Plug into a grounded 3-prong outlet.
- Do not remove ground prong.
- Do not use an adapter plug.
- Do not use an extension cord.
- Do not twist or tie the power cord.
- Do not pull or bend the power cord.



Instructions

- Do not damage the power cord when moving the appliance.
- Have the wall outlet and circuit checked by a qualified electrician to make sure the outlet is properly grounded.
- Unplug the refrigerator before servicing.
- Only qualified service personnel should perform repairs. Service personnel must disconnect the power supply before servicing this unit.
- Never unplug an appliance by pulling the power cord. Always grip the plug firmly and pull straight out from the outlet to prevent damaging the power cord.
- Do not damage or puncture refrigerant tubing.
- Do not damage the refrigerant circuit.
- Do not attempt to repair or replace any part of this appliance unless specifically recommended in this manual. Any other servicing should be done by a qualified technician.
- Do not scatter the packing materials. Sort the various items of waste and take them to the nearest specialized waste collection facility.
- Do not use sharp instruments, rubbing alcohol, flammable fluids, or abrasive cleaners to remove tape glue. Wipe with warm water only.
- Keep ventilation openings, in the appliance enclosure or in the built-in structure, clear of obstruction.
- Do not use mechanical, electrical or chemical products other than those recommended by the manufacturer to speed up the defrosting process.

1.5 Installation cautions



CAUTION

- Leave the appliance standing vertically for at least two hours before turning it on for the first time.
- Leave sufficient space around the appliance and install it on a flat surface.



- Never use the open door to lever the appliance into place when fitting.
- Avoid exerting too much pressure on the door when open.
- Pay attention not to scratch or damage the floor when installing the appliance.
- Do not wiggle or drag the appliance when trying to move it, as floor damage could occur.
- Never cover or block the appliance's ventilation openings.
- Do not leave children unattended:
 - Children should not be left alone or unattended in the area where the appliance is being used. Never allow children to sit or stand on any part of the appliance.
- Never allow children to play with the refrigerator and let them use the drawers, shelves and others parts of the appliance only as described in this handbook.
- Do not attempt to repair, disassemble or modify the appliance yourself.
- Do not damage the refrigerant circuit.
- Do not use the appliance if the power plug or cord is damaged.
- Do not use electrical appliances inside the food storage compartments of the appliance, unless they are of the type recommended by the manufacturer.
- Use nonflammable cleaner.
- Do not climb, stand or hang on the shelves in the refrigerator. This could result in severe injuries or in damage to the appliance.

1.6 Usage warnings



WARNING

- Read all instructions.
- This appliance is not intended for use by people (including children) with reduced physical, sensory or mental capabilities, or lack of experience and knowledge, unless they have been given supervision or instruction concerning use of the appliance by a person responsible for their safety.



Instructions

- Bottles containing strong alcoholic drinks must be tightly closed and stored vertically.
- Never touch frozen product straight from the freezer or put it in your mouth. This can cause burn injury due to very low temperatures.
- Do not store explosive or flammable substances, such as gasoline in or in the vicinity of this refrigerator or use gasoline or other flammable vapors or liquids in the vicinity of this or any other appliance.
- Do not store or use gasoline or other flammable vapors, liquids or materials near this or any other appliance.
- Do not store objects on the top of the appliance.
- Do not store bottled or canned liquids in the freezer compartment.
- Unplug your appliance before cleaning and making repairs.
- Always unplug the appliance from the power mains in the event of a breakdown, maintenance, when replacing the light bulb or cleaning.
- Do not insert the power plug into a wall socket with wet hands.
- Use nonflammable cleaner.
- Do not use sharp objects when removing ice and frost in order not to damage the appliance's walls.
- Do not defrost or clean the appliance with a steam cleaner.
- Do not use a hair dryer to dry the inside of the refrigerator.
- Do not sit or lean on the door or any open drawers.
- Do not store inflammable, explosive or volatile substances.
- Do Not Use Water on Grease Fires - Smother fire or flame or use dry chemical or foam-type extinguisher.



- Organic compounds, acids and essential oils can corrode the seals and plastic surfaces if left in contact with them for extended periods.
- Bottles containing strong alcoholic drinks must be tightly closed and stored vertically.
- Do not put frozen food straight from the freezer compartment into your mouth.
- Never move the appliance by pulling on the door or the handle.
- Do not use the appliance to cool rooms for any reason.
- Wear proper apparel. Loose-fitting or hanging garments should never be worn while using the appliance.
- Observe maximum storage times and expiration dates of frozen goods.

1.7 Usage cautions



CAUTION

- For safety reasons and to avoid damage to your appliance, never sit, stand or lean on the refrigerator door.
- Never cover or block the appliance's ventilation openings.
- Do not refreeze frozen foods which have partly or completely defrosted.
- Do not strike or apply too much force to any glass surface.

1.8 Disposal Warning



DANGER

- Risk of child entrapment. Before you throw away your old refrigerator/freezer:
 - Remove doors.
 - Leave shelves in place so children may not easily climb inside.
- Destroy or recycle the carton, plastic bags, and any exterior wrapping material immediately after the refrigerator is unpacked. Children should NEVER use these items to play. They can cause suffocation and death.

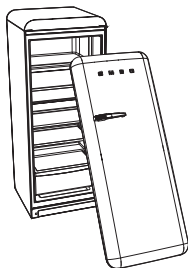


Instructions



WARNING

- Before you throw away your old refrigerator/freezer:
 - Pull out the power cord plug.
 - Cut off the power cord.
 - Have refrigerant removed and disposed by a qualified service technician.
 - Do not allow children to climb, stand or hang on the shelves in the refrigerator.
 - Never allow children to play with the refrigerator.



1.9 How to read the user manual

This user manual uses the following reading conventions:

Instructions



General information on this user manual, on safety and final disposal.

Description



Description of the appliance and its accessories.

Use



Information on the use of the appliance and its accessories, food storage advice.

Cleaning and maintenance



Information for proper cleaning and maintenance of the appliance.

Installation



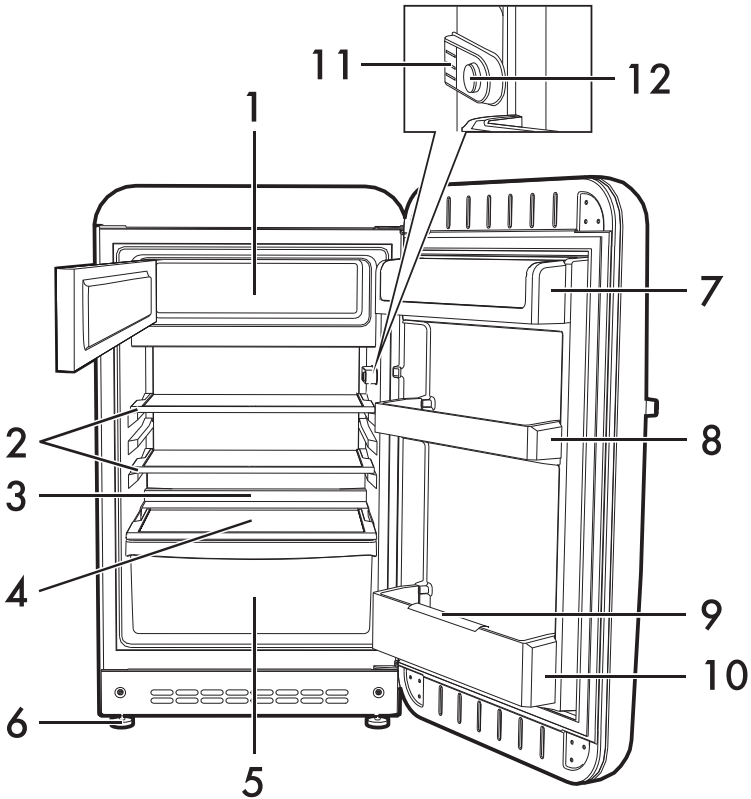
Information for the qualified technician: Installation, operation and inspection.

SAVE THESE INSTRUCTIONS



2 Description

2.1 General Description



1 Freezer compartment

2 Removable racks

3 Defrosting water drain channel

4 Lid for fruit and vegetable drawer

5 Fruit and vegetable drawer

6 Adjustable feet

7 Balcony for dairy products

8 Balcony for eggs

9 Flexible tab bottle-holder

10 Bottle balcony

11 Bulb-holder

12 Thermostat knob



Description

2.2 Description of parts

Interior lighting

The interior of the appliance is lit when the door is opened and turned off when it is closed.



NOTE:

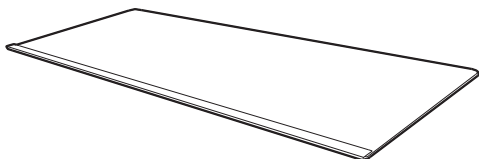
The light comes on even if the refrigerator thermostat is set on "0", meaning that the refrigerator is switched off.

Refrigerator thermostat

For adjusting temperature inside the appliance

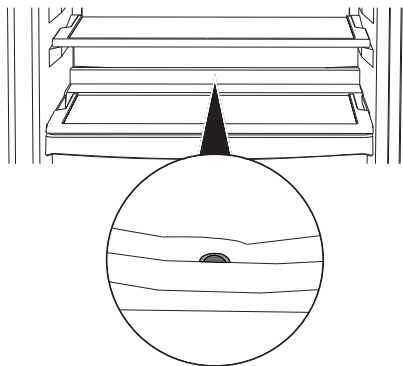
Shelves

This appliance has many shelves that can be positioned at different heights fitting them in the suitable guides; they are useful to optimise space and store foodstuffs and beverage inside the refrigerator compartment.



Defrost water outlet

At the back of the refrigerator compartment, under the refrigeration plate, there are a groove and a hole for collecting the water from defrosting.



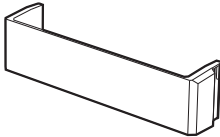
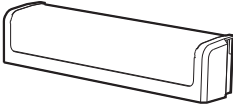
NOTE:

Check periodically that this opening is not blocked and clean it, if necessary.



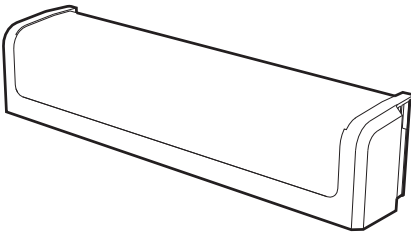
Door containers

The door inner side contains suitable balconies for storing foodstuffs in small containers. The shelf in the lower part of the door is useful for storing bottles.



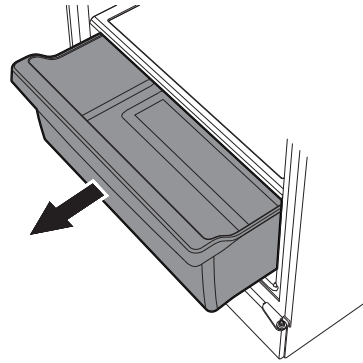
Balcony for dairy products

A special cheese and dairy product box with lid is supplied. This box can be placed on any shelf as required.

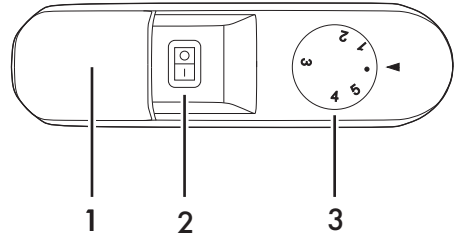


Fruit and vegetable drawer

For storing fruit and vegetables, maintaining a constant humidity level.



2.3 Control panel



- 1 Light bulb.
- 2 Fast freeze function key.
- 3 Temperature selection knob.



Description

2.4 Available accessories

**NOTE:**

Not all accessories are available on some models.

**NOTE:**

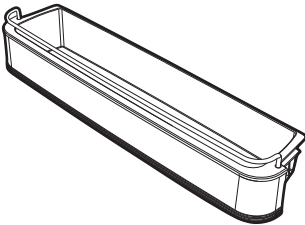
The accessories intended to come into contact with food are made of materials that comply with the provisions of current legislation.

**NOTE:**

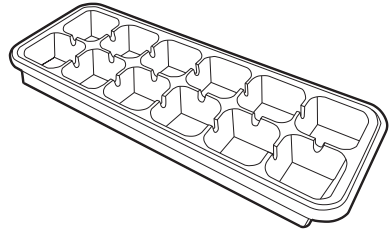
Supplied and optional accessories can be requested to Authorized Service Centers. Use only original accessories supplied by the manufacturer.

Door balconies and shelves

For storing foodstuffs in small containers. The shelf in the lower part of the door is useful for storing bottles.

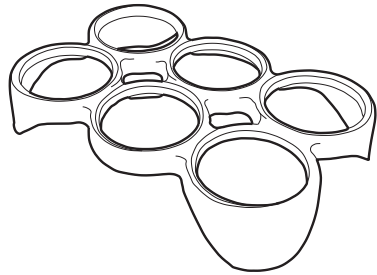


Ice cube pan



For producing ice cubes; to be placed in the freezer compartment.

Egg holder



For conserving eggs inside the refrigerator compartment.



3 Use

3.1 Instructions

WARNING

- Do not store explosive or flammable substances, such as gasoline in or in the vicinity of this refrigerator or use gasoline or other flammable vapors or liquids in the vicinity of this or any other appliance.
- Do not climb, stand or hang on the shelves in the refrigerator. This could cause serious injury or result in damage to the appliance.
- Never allow children to play with the refrigerator and let them use the drawers, shelves and others parts of the appliance only as described in this handbook.
- Bottles containing strong alcoholic drinks must be tightly closed and stored vertically.
- Never touch frozen product straight from the freezer or put it in your mouth. This can cause burn injury due to very low temperatures.

CAUTION

- Do not use sharp objects when removing ice and frost in order not to damage the appliance's walls.
- Organic compounds, acids and essential oils can corrode the seals and plastic surfaces if left in contact with them for extended periods.

3.2 Preliminary operations

1. Remove any protective film from the outside or inside of the appliance, including accessories.
2. Remove any labels (apart from the technical data plate) from the accessories and shelves.
3. Remove and wash all the appliance's accessories (see 4 Cleaning and maintenance).
4. Plug the appliance into a wall socket.

3.3 First use



NOTE:

After installing or repositioning the appliance, wait at least two hours before activating it.

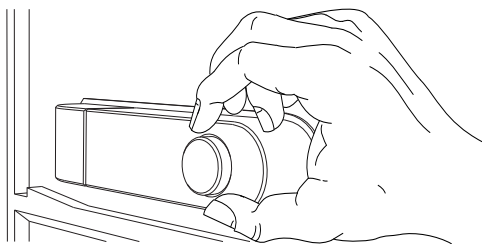


NOTE:

When the appliance is turned on for the first time it must run continuously for 24 hours before cooling down to a suitable temperature; during this time do not open the door too often and do not introduce big amounts of food.



Refrigerator thermostat adjustment



The knob in the top right-hand corner of the appliance is used to set the refrigerating temperature.

When the knob is turned to **0**, the appliance is switched off.

The operational settings range from **1** to **5**.

- Positions **1** and **2** correspond to a lower cooling power.
- Positions **3** and **4** correspond to a normal cooling power.
- Position **5** generates the appliance maximum cooling power.

In normal usage conditions you are advised to select a medium-low setting (positions **1** or **2**) for proper conservation of foodstuff in the appliance.

Only select the highest settings (**4** and **5**) if they are really necessary: with these settings, the temperatures inside the refrigerator compartment may be close to 0°C and electricity consumption will be higher.



NOTE:

Increasing from position **1** to **5** temperature decreases in the refrigerator compartment.



NOTE:

Regulation of the temperature of the freezer compartment is controlled by the main thermostat.

Fast Freezing Function

This function allows you to freeze large quantities of stored food in the freezer compartment.

Activate the function 24 hours before storing food inside.



NOTE:

To save energy, after 24 hours after inserting fresh food, deactivate the function.



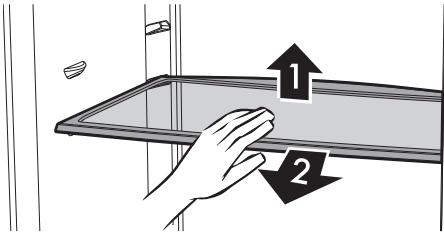
3.4 Using the accessories

Shelves

CAUTION

- Glass shelves and covers are heavy, use special care when removing them.

These can be positioned at different heights on the guides according to requirements. Each shelf has a safety fitting to prevent it from being accidentally removed. To remove them completely, lift them at the back (1) and extract them (2).

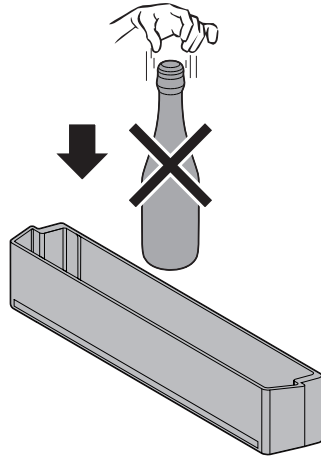


NOTE:

Perishable foods should be placed on the rear part of the shelves where the temperature is lower.

Door balconies and shelves

Suitable for storing eggs, butter, dairy products, preserves and other small food packages/containers. The lower part of the door has a shelf for bottles. Avoid placing excessively heavy bottles on the shelf and do not let them drop onto the bottom when inserting them.

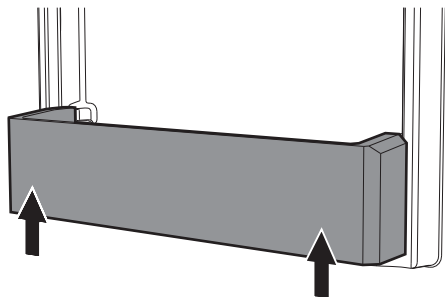


Do not place excessively heavy bottles in the balcony and do not drop them.

All balconies and trays can be removed for cleaning. To remove them, tap them upwards with your fist, first on one side and then on the other in the insertion zone.



Use

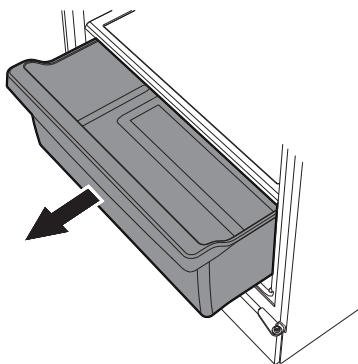


Ice tray

Fill the ice tray with water, which can be cold or at room temperature. Place it horizontally in the freezer. Close the freezer door and wait a few hours. When the water has fully frozen, remove the tray from the freezer compartment and remove the ice for use.

Fruit and vegetable drawer

Located at the bottom of the refrigerator compartment, which is fitted with a glass shelf to cover fresh foods that require constant humidity for optimum storage.



3.5 Using the refrigerator compartment

Arranging food

Arrange food on the various shelves, making sure that they are wrapped and covered hermetically. This precaution ensures that:

- the flavor, moisture and freshness of the foods are preserved;
- any contamination of foods with odors or tastes from other foods can be avoided;
- the humidity level inside the refrigerator is prevented from becoming too high as a result of the normal transpiration of food (especially fresh fruit and vegetables). In some operating conditions (rise in ambient temperature and humidity, more frequent opening of the door) this might cause condensation to form on the shelves.



NOTE:

Storing vegetables with high content of water can generate condensation on the glass shelf. This is a natural phenomenon which does not affect the appliance's operation in any way.



NOTE:

Always allow hot foods and drinks to cool to room temperature before putting them in the appliance.



Storage life table

Foodstuff	Time
Eggs, smoked meats, marinated foods, cheese	max 10 days
Root vegetables	max 8 days
Butter	max 7 days
Pastries, fruit, ready meals, fresh meat	max 2 days
Fish, minced meat, seafood	max 1 day

3.6 Noises during operation

The refrigerator and freezer compartments are cooled by means of a compression system. In order to maintain the preset temperature inside the refrigerator and freezer compartments, the compressor comes into operation in response to the level of cooling required, and may operate continuously if necessary. When the compressor starts to function, it creates a buzzing noise which generally diminishes in intensity after a few minutes.

Another normal operating noise of the appliance is a gurgling due to the coolant flowing through the pipes in the circuit. This noise is normal and does not indicate an appliance malfunction. If it becomes too loud, this may mean that there are other causes. Checks must then be made to ensure that:

- The refrigerator is properly levelled on the floor and does not vibrate when the compressor is in operation: if this is not the case, adjust the appliance's feet until it is level;

- The drawers, shelves and trays on the door are correctly positioned in their holders: if they are not, put them in correctly;
- Bottles and containers on the various shelves are stable and not touching each other: otherwise, the vibration resulting from compressor operation could generate noise;
- Do not place the refrigerator in such a way that it is in contact with furniture or other household appliances.

3.7 Turning the appliance off

Whenever the appliance is to remain unused for long periods, it should be switched off.

1. Return thermostat knob to the "0" position.
2. Unplug the appliance from the wall socket.
3. Empty the compartments.
4. Once the freezer has fully defrosted, dry any residual accumulated moisture with a tea towel.



NOTE:

Leave the door ajar to ensure that moisture and stagnant air do not cause unpleasant odors.



NOTE:

Wait at least 5 minutes before restarting the appliance or plugging it in so as not to damage the compressor.



3.8 Food storage advice

Practical energy saving advice

- Correct use of the appliance, correct packaging of foodstuffs, a constant temperature and food hygiene have significant effects on the quality of storage.
- Reduce the number of times that the doors are opened and the length of time they remain open to prevent the compartments from heating up excessively.
- Clean the condenser (rear of the appliance) periodically to prevent the appliance from losing efficiency.
- Defrost frozen food in the refrigerator compartment in order to make use of the cold stored in the frozen foods.

General advice

- Always check the expiry date on the food packaging.
- The foodstuffs must be stored in closed or pre-packaged containers and must not be able to emit or absorb moisture and odors.
- Remove perishable products from the appliance if you are going away for a long period.

Refrigerator compartment door

- Keep eggs, butter, cheese etc. in the upper and central parts.
- Keep drinks, bottles, cans etc. in the lower part.

Refrigerator compartment

- Keep dairy products, ready meals, pastries, fruit juices, beer etc. in the central part.
- Keep meats, cold cuts etc. in the lower part.
- Keep fresh and tropical fruit, vegetables, root vegetables, onions, etc. in the fruit and vegetable drawer.

Freezer compartment

- The type of food, quantity and date of freezing should be marked on the container/packaging.
- Use small containers, if possible already cold.
- The quantity of fresh foods which can be frozen at the same time is listed on the nameplate inside the refrigerator compartment.
- Use suitable freezer bags, tinfoil, cling-film for use with food, and freezer containers.
- Do not use paper bags, cellophane for non-food use, shopping bags or pre-used freezer bags.
- Avoid frozen food coming into contact with fresh food to be frozen.
- Keep bagged frozen vegetables, ice, ice cream etc.



4 Cleaning and maintenance

4.1 Instructions

WARNING

- Turn off the appliance and unplug it from the mains before cleaning or maintenance.
- Do not pull the cable to remove the plug.
- Use nonflammable cleaner.

CAUTION

- Do not use steam jets to clean the appliance.
- Do not use cleaning products containing chlorine, ammonia or bleach on parts made of steel or that have metallic surface finishes (e.g. anodizing, nickel- or chromium-plating).
- Do not use abrasive or corrosive detergents (e.g. powder products, stain removers and metallic sponges) on glass parts.
- Do not use rough or abrasive materials or sharp metal scrapers.
- Do not clean glass shelves or covers with warm water when they are cold.
- Glass shelves and covers are heavy, use special care when removing them.

4.2 Cleaning the appliance

A special antibacterial protection on the appliance's interior walls prevents bacterial growth and keeps them clean. They must nevertheless be cleaned regularly in order to keep them in good condition.

Cleaning the outside of the appliance

- The appliance may be cleaned with water or alcohol-based liquid detergents (e.g. window cleaning products).
- Avoid aggressive detergents and rough sponges in order not to damage the surfaces.
- Use a soft brush to remove dust and fume deposits from the condenser on the rear of the appliance.
- Clean the tank above the compressor.

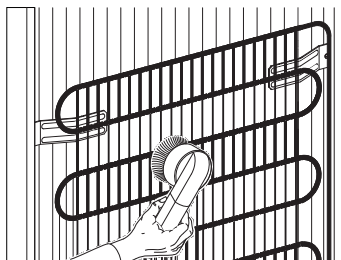
Cleaning the inside of the appliance

- Clean the inside of the appliance with diluted liquid detergent and warm water, adding a little bit of vinegar.
- Door balconies and shelves can be removed.
- Do not use sharp objects or spray products.
- Avoid contact with water or detergents and electrical parts or the lighting system.



Cleaning and maintenance

- After washing the components, dry them thoroughly.



To improve energy savings and efficiency of the appliance, periodically clean the condenser, located in the rear area, using a broom, a vacuum cleaner or a cloth.

Interior lighting

Interior lighting, if damaged, must be repaired by Technical Service only.

4.3 Defrosting

CAUTION

- Do not use electrical appliances (e.g. hair dryers) or sprays for defrosting, the plastic parts could be damaged.



NOTE:

Occasional presence of frost inside the freezer compartment is normal.

WARNING

- Turn off the appliance and unplug it from the mains before cleaning or maintenance.
- Do not pull the cable to remove the plug.
- Use nonflammable cleaner.

Defrosting the refrigerator compartment

The freezer compartment has automatic defrosting.

During normal compressor operation frost forms on the rear wall of the appliance, and melts when it is not working.

While the compressor is not working, the accumulated frost melts and the water runs off into the opening for this purpose at the bottom of the cell.

It is then channelled into the tray under the compressor, from which it evaporates.

**NOTE:**

The amount of ice which forms on the back wall may vary with changes in weather conditions, the frequency with which the door is opened, the appliance's operating temperatures and the amount of fresh foods stored inside (especially fruit and vegetables).

Defrosting the freezer compartment

The freezer compartment needs to be defrosted manually. When the thickness of frost or ice on the shelves exceeds 2 cm, the freezer should be defrosted.

A few hours before defrosting, proceed as follows:

1. Set the thermostat on **5** for a further cooling of frozen foodstuffs.
2. Turn the knob to the position **0**.
3. Disconnect the appliance from the mains power supply.

While cleaning, remove frozen foodstuff from the freezer and protect them from defrosting; then, place a container under the defrosting water drain channel.

After defrosting, dry the freezer compartment completely.

4.4 What to do if...

The appliance does not work:

- Make sure that the appliance is plugged in and that the main switch is turned on.

The compressor starts to function too often or functions continuously:

- The room temperature is too high.
- The door is being opened too often or for too long.
- The door is not closing/sealing properly.
- The freezer is loaded with too many fresh foods.
- Check that sufficient air can circulate around the sensor on the right-hand side of the refrigerator compartment.
- Check that the back of the freezer is properly ventilated and that the condenser is not too dirty.

Excessive ice or condensation has built up inside the refrigerator compartment:

- The door is being opened too often or for too long.
- Fresh food (fruit and vegetables) has been placed inside the refrigerator compartment.
- Food not properly covered or stored in hermetically closed containers.
- The foodstuffs or containers are in contact with the rear wall.
- The door seal is damaged or dirty. To clean the seal use lukewarm water and then dry it.

Water is forming inside the refrigerator compartment:

- The drainage channel or opening is blocked.



Cleaning and maintenance

The refrigerator compartment is not sufficiently cold:

- The thermostat is set at too high a temperature.
- The door is being opened too often or for too long.
- The door is not closing/sealing properly.
- The room temperature is too high.

The temperature inside the refrigerator compartment is too cold and the foodstuffs are freezing:

- The thermostat is set at too low a temperature.
- Food not contained in suitable containers or bags.
- Fruit and vegetables might be too wet.
- Foodstuffs placed against the rear wall of the refrigerator compartment.

Temperature inside freezer compartment not low enough to freeze foods properly:

- The thermostat is set at too high a temperature.
- The door is being opened too often or for too long.
- The door is not closing/sealing properly.
- The door seal is damaged or dirty. Clean or replace it.
- The food to be frozen contains large quantities of sugar.

Excessive ice has built up inside the freezer compartment:

- The thermostat is set at too low a temperature.
- The room temperature is too high.
- The door is being opened too often or for too long.
- The door is not closing/sealing properly.
- The door seal is damaged or dirty. Clean or replace it
- Hot foods have been placed inside the freezer compartment.

The door is hard to open just after closing:

- If you attempt to open the door again just after closing it (especially the freezer door), considerable strength is required. This is due to the vacuum created by the cooling of the warm air which has entered the freezer.

The door is misaligned:

- Check that the appliance is level.
- Level the appliance using its feet.



5 Installation

5.1 Electrical connection

DANGER

- Non-compliance with these instructions may result in death, fire or an electric shock.

WARNING

- Plug into a grounded 3-prong outlet.
- Do not remove ground prong.
- Do not use an adapter plug.
- Do not use an extension cord.
- Do not twist or tie the power cord.
- Do not pull or bend the power cord.
- The appliance must be connected to ground in compliance with electrical system safety standards.
- Do not pull the cable to remove the plug.
- Do not damage the refrigerant circuit

- The plug must always be accessible when the appliance is installed.
- Leave the appliance standing vertically for at least two hours before turning it on for the first time.
- If it is necessary to replace the power cable, **this must be performed by an authorized technician from Technical Support Service.**

5.2 Positioning

WARNING

- Keep ventilation openings, in the appliance enclosure or in the built-in structure, clear of obstruction.

CAUTION

- Never use the open door to lever the appliance into place when fitting.
- Avoid exerting too much pressure on the door when open.

General information

- Check the mains characteristics against the data indicated on the plate. The identification plate bearing the technical data, serial number and brand name is visibly positioned inside the appliance. Do not remove this plate for any reason.
- Make sure that the plug and socket are of the same type.



Installation

Choice of location

WARNING

Do not install this appliance:

- outdoor,
- in manufactured (mobile) homes, in recreational vehicles (RVs) or boat.
- near a heater or flammable material. Keep flammable materials and vapor, such as gasoline, away from the appliance.
- in a room where there is a risk of freezing.
- in direct sunlight or exposed to heat from stoves (if this is not possible, insulate properly).

Always install the appliance in a dry place with satisfactory ventilation. Depending on its climate class (stated on the nameplate inside the refrigerator compartment), the appliance can be used in different temperature conditions.

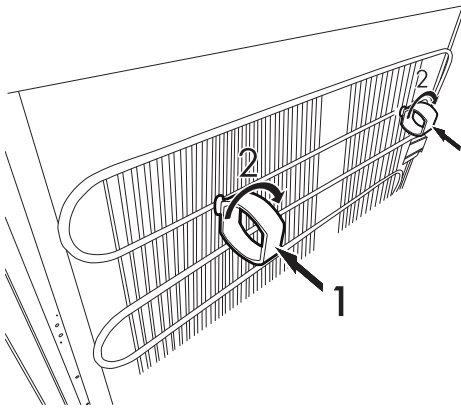
Class	Room temperature
SN (Subnormal)	+ 50°F to + 89°F
N (Normal)	+ 61°F to + 89°F
ST (Subtropical)	+ 64°F to + 100°F
T (Tropical)	+ 64°F to + 109°F

- The appliance must not be installed near heat sources. If this is not possible, insulate properly.
- To ensure proper ventilation for your appliance allow 1 ¼" (3 cm) space on each side.
- If installed underneath wall units, at least 3" (7.6 cm) clearance must be left.
- Ensure that the appliance is located with sufficient space for the door to open and for the internal drawers and shelves to be removed, if necessary. Leave 14 ½" (36,8 cm) minimum on the hinge side to allow for the door to swing open.



Spacers

To ensure proper cooling of the condenser, the appliance must not be placed too close to the wall. To prevent this, the appliance comes complete with two plastic spacers which must be fitted to the top of the condenser.



To position the spacers fit them between the vertical fins of the condenser (1), then rotate them by 90 degrees clockwise or counterclockwise, to secure them (2).

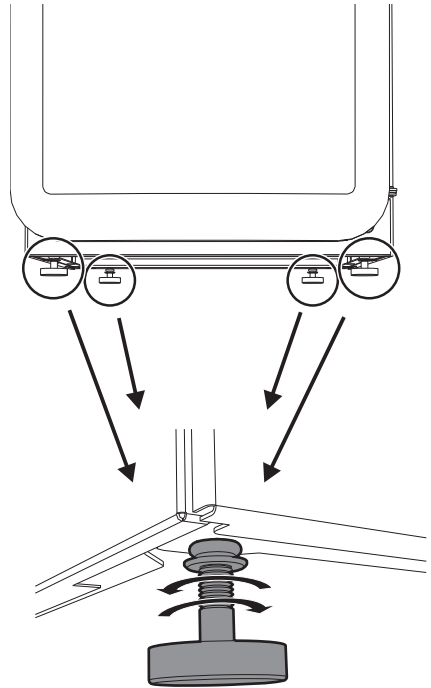
Positioning

Position the appliance on a firm, level surface.

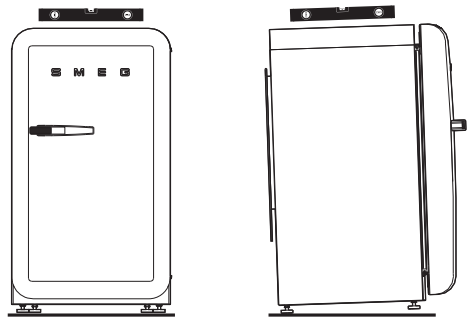
We recommend moving the appliance very carefully in order to avoid damaging the floor (especially if the refrigerator is positioned on wooden floors or linoleum).

If the floor is not perfectly level, use the four adjustable feet on the front part of the appliance.

Level the appliance horizontally adjusting its feet.



Lean the appliance slightly towards the rear part to facilitate proper door closure.



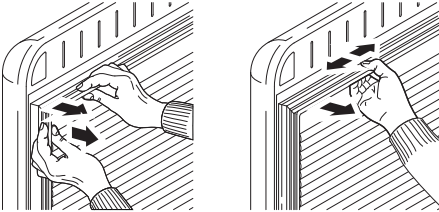


Installation



NOTE:

In order for the appliance to be installed correctly, the door must be able to close properly. Ensure that the door seals close hermetically, especially at the corners.



CAUTION

- Do not press, do not tear or detach the seal from the door.

A few days after installation, check that the initial level adjustment is still correct. Make sure that the appliance is still stable and the door seals still close hermetically when it is in operation and loaded with food. If necessary, re-adjust the level and the seals.