



User Manual	Brugsanvisning	Bruksanvisning	
	Fridge Freezer	Køle-/fryseskab	Kombiskap

C8174DN2E

CONTENTS

Safety information	2	Care and cleaning	16
Safety instructions	4	Troubleshooting	16
Installation	6	Noises	21
Control Panel	8	Technical data	21
Daily use	11	Information for test institutes	21
Hints and tips	13		

Subject to change without notice.

SAFETY INFORMATION

Before the installation and use of the appliance, carefully read the supplied instructions. The manufacturer is not responsible for any injuries or damage that are the result of incorrect installation or usage. Always keep the instructions in a safe and accessible location for future reference.

Children and vulnerable people safety

- This appliance can be used by children aged from 8 years and above and persons with reduced physical, sensory or mental capabilities or lack of experience and knowledge if they have been given supervision or instruction concerning the use of the appliance in a safe way and understand the hazards involved.
- Children aged from 3 to 8 years are allowed to load and unload the appliance provided that they have been properly instructed.
- This appliance may be used by persons with very extensive and complex disabilities provided that they have been properly instructed.
- Children of less than 3 years of age should be kept away from the appliance unless continuously supervised.
- Do not let children play with the appliance.
- Children shall not carry out cleaning and user maintenance of the appliance without supervision.
- Keep all packaging away from children and dispose of it appropriately.

General Safety

- This appliance is intended to be used in household and similar applications such as:
 - Farm houses; staff kitchen areas in shops, offices and other working environments;
 - By clients in hotels, motels, bed and breakfast and other residential type environments.
- To avoid contamination of food respect the following instructions:
 - do not open the door for long periods;
 - clean regularly surfaces that can come in contact with food and accessible drainage systems;
 - store raw meat and fish in suitable containers in the refrigerator, so that it is not in contact with or drip onto other food.
- **WARNING:** Keep ventilation openings, in the appliance enclosure or in the built-in structure, clear of obstruction.
- **WARNING:** Do not use mechanical devices or other means to accelerate the defrosting process, other than those recommended by the manufacturer.
- **WARNING:** Do not damage the refrigerant circuit.
- **WARNING:** Do not use electrical appliances inside the food storage compartments of the appliance, unless they are of the type recommended by the manufacturer.
- Do not use water spray and steam to clean the appliance.
- Clean the appliance with a moist soft cloth. Only use neutral detergents. Do not use abrasive products, abrasive cleaning pads, solvents or metal objects.
- When the appliance is empty for long period, switch it off, defrost, clean, dry and leave the door open to prevent mould from developing within the appliance.
- Do not store explosive substances such as aerosol cans with a flammable propellant in this appliance.
- If the supply cord is damaged, it must be replaced by the manufacturer, its Authorised Service Centre or similarly qualified persons in order to avoid a hazard.

SAFETY INSTRUCTIONS

Installation



WARNING! Only a qualified person must install this appliance.

- Remove all the packaging.
- Do not install or use a damaged appliance.
- Do not use the appliance before installing it in the built-in structure due to safety manner.
- Follow the installation instructions supplied with the appliance.
- Always take care when moving the appliance as it is heavy. Always use safety gloves and enclosed footwear.
- Make sure the air can circulate around the appliance.
- At first installation or after reversing the door wait at least 4 hours before connecting the appliance to the power supply. This is to allow the oil to flow back in the compressor.
- Before carrying out any operations on the appliance (e.g. reversing the door), remove the plug from the power socket.
- Do not install the appliance close to radiators or cookers, ovens or hobs.
- Do not expose the appliance to the rain.
- Do not install the appliance where there is direct sunlight.
- Do not install this appliance in areas that are too humid or too cold.
- When you move the appliance, lift it by the front edge to avoid scratching the floor.
- The appliance contains a bag of desiccant. This is not a toy. This is not food. Please dispose of it immediately.

Electrical connection



WARNING! Risk of fire and electric shock.



WARNING! When positioning the appliance, ensure the supply cord is not trapped or damaged.



WARNING! Do not use multi-plug adapters and extension cables.

- The appliance must be earthed.
- Make sure that the parameters on the rating plate are compatible with the electrical ratings of the mains power supply.
- Always use a correctly installed shockproof socket.
- Make sure not to cause damage to the electrical components (e.g. mains plug, mains cable, compressor). Contact the Authorised Service Centre or an electrician to change the electrical components.
- The mains cable must stay below the level of the mains plug.
- Connect the mains plug to the mains socket only at the end of the installation. Make sure that there is access to the mains plug after the installation.
- Do not pull the mains cable to disconnect the appliance. Always pull the mains plug.

Use



WARNING! Risk of injury, burns, electric shock or fire.



The appliance contains flammable gas, isobutane (R600a), a natural gas with a high level of environmental compatibility. Be careful not to cause damage to the refrigerant circuit containing isobutane.

- Do not change the specification of this appliance.
- Do not put electrical appliances (e.g. ice cream makers) in the appliance

unless they are stated applicable by the manufacturer.

- If damage occurs to the refrigerant circuit, make sure that there are no flames and sources of ignition in the room. Ventilate the room.
- Do not let hot items to touch the plastic parts of the appliance.
- Do not put soft drinks in the freezer compartment. This will create pressure on the drink container.
- Do not store flammable gas and liquid in the appliance.
- Do not put flammable products or items that are wet with flammable products in, near or on the appliance.
- Do not touch the compressor or the condenser. They are hot.
- Do not remove or touch items from the freezer compartment if your hands are wet or damp.
- Do not freeze again food that has been thawed.
- Follow the storage instructions on the packaging of frozen food.
- Wrap the food in any food contact material before putting it in the freezer compartment.
- Before maintenance, deactivate the appliance and disconnect the mains plug from the mains socket.
- This appliance contains hydrocarbons in the cooling unit. Only a qualified person must do the maintenance and the recharging of the unit.
- Regularly examine the drain of the appliance and if necessary, clean it. If the drain is blocked, defrosted water collects in the bottom of the appliance.

Service

- To repair the appliance contact the Authorised Service Centre. Use original spare parts only.
- Please note that self-repair or non-professional repair can have safety consequences and might void the guarantee.

Disposal



WARNING! Risk of injury or suffocation.

- Disconnect the appliance from the mains supply.
- Cut off the mains cable and discard it.
- Remove the door to prevent children and pets to be closed inside of the appliance.
- The refrigerant circuit and the insulation materials of this appliance are ozone-friendly.
- The insulation foam contains flammable gas. Contact your municipal authority for information on how to discard the appliance correctly.
- Do not cause damage to the part of the cooling unit that is near the heat exchanger.

Internal lighting



WARNING! Risk of electric shock.

- Concerning the lamp(s) inside this product and spare part lamps sold separately: These lamps are intended to withstand extreme physical conditions in household appliances, such as temperature, vibration, humidity, or are intended to signal information about the operational status of the appliance. They are not intended to be used in other applications and are not suitable for household room illumination.

Care and cleaning



WARNING! Risk of injury or damage to the appliance.

INSTALLATION



WARNING! Refer to Safety chapters.

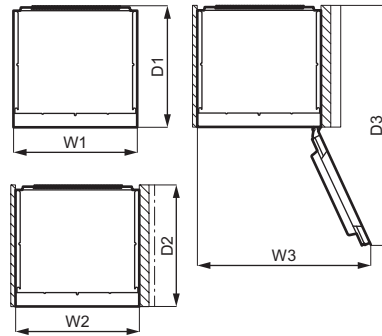
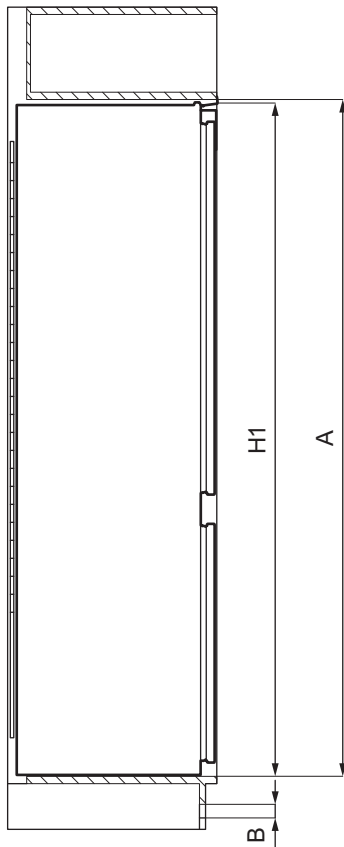


WARNING! Refer to installation instruction document to install your appliance.



WARNING! Fix the appliance in accordance with installation instruction document to avoid a risk of instability of the appliance.

Dimensions



Overall dimensions ¹

H1	mm	1769
----	----	------

Overall dimensions ¹

W1	mm	556
----	----	-----

Overall dimensions ¹		
D1	mm	549

¹ the height, width and depth of the appliance without the handle and feet

Space required in use ²		
H2 (A+B)	mm	1816
W2	mm	560
D2	mm	552
A	mm	1780
B	mm	36

² the height, width and depth of the appliance including the handle, plus the space necessary for free circulation of the cooling air

Overall space required in use ³		
H3 (A+B)	mm	1816
W3	mm	780
D3	mm	1085

³ the height, width and depth of the appliance including the handle, plus the space necessary for free circulation of the cooling air, plus the space necessary to allow door opening to the minimum angle permitting removal of all internal equipment




Location

To ensure appliance's best functionality, you should not install the appliance in the nearby of the heat source (oven, stoves, radiators, cookers or hobs) or in a place with direct sunlight. Make sure that air can circulate freely around the back of the cabinet.

Positioning

This appliance should be installed in a dry, well ventilated indoor position.

This appliance is intended to be used at ambient temperature ranging from 10°C to 43°C.

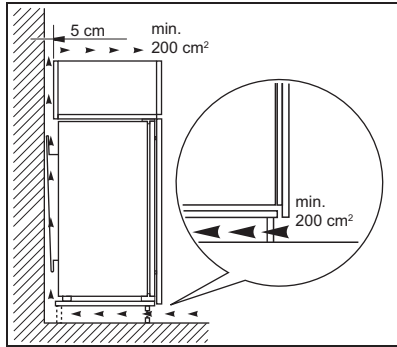
-  The correct operation of the appliance can only be guaranteed within the specified temperature range.
-  If you have any doubts regarding where to install the appliance, please turn to the vendor, to our customer service or to the nearest Authorised Service Centre.
-  It must be possible to disconnect the appliance from the mains power supply. The plug must therefore be easily accessible after installation.

Electrical connection

- Before plugging in, ensure that the voltage and frequency shown on the rating plate correspond to your domestic power supply.
- The appliance must be earthed. The power supply cable plug is provided with a contact for this purpose. If the domestic power supply socket is not earthed, connect the appliance to a separate earth in compliance with current regulations, consulting a qualified electrician.
- The manufacturer declines all responsibility if the above safety precautions are not observed.
- This appliance complies with the E.E.C. Directives.

Ventilation requirements

The airflow behind the appliance must be sufficient.



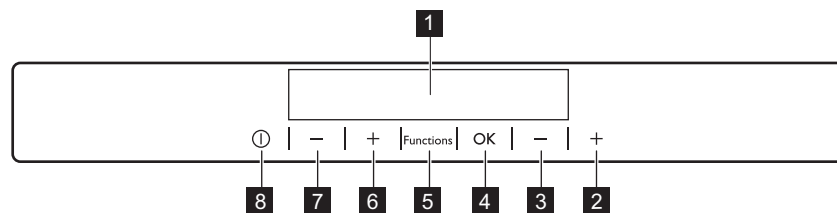
CAUTION! Refer to the installation instructions for the installation.

Door reversibility

Please refer to the separate document with instructions on installation and door reversal.

CAUTION! At every stage of reversing the door protect the floor from scratching with a durable material.

CONTROL PANEL

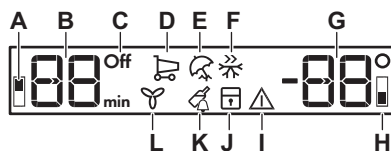


- 1** Display
- 2** Freezer Temperature warmer button
- 3** Freezer Temperature colder button
- 4** OK
- 5** Functions
- 6** Fridge Temperature warmer button

- 7** Fridge Temperature colder button
- 8** ON/OFF

It is possible to change predefined sound of buttons by pressing together Functions and temperature colder button for a few seconds. Change is reversible.

Display



- A.** Fridge compartment indicator
- B.** Timer indicator
- C.** ON/OFF indicator
- D.** Shopping function
- E.** Holiday mode
- F.** FastFreeze function
- G.** Temperature indicator
- H.** Freezer compartment indicator
- I.** Alarm indicator
- J.** ChildLock function

K. DrinksChill function

Switching on

1. Connect the mains plug to the power socket.
2. Press the appliance ON/OFF if the display is off. The temperature indicators show the set default temperature.

To select a different set temperature refer to "Temperature regulation".

If "dEMo" appears on the display, refer to "Troubleshooting".

Switching off

1. Press the appliance ON/OFF for 3 seconds.
The display switches off.
2. Disconnect the mains plug from the power socket.

Temperature regulation

Set the temperature of the appliance by pressing the temperature regulators.

Default recommended set temperature is:

- +4°C for the fridge
- -18°C for the freezer

The temperature range may vary between -15°C and -24°C for freezer and between 2°C and 8°C for fridge.

The temperature indicators show the set temperature.



The set temperature will be reached within 24 hours.
After a power failure the set temperature remains stored.

Switching on the fridge

To switch on the fridge it is enough to press the fridge temperature regulator. To switch on the fridge in the other way:

1. Press Functions until the corresponding icon appears.
The Fridge OFF indicator flashes.
2. Press OK to confirm.
The fridge OFF indicator goes off and the fridge compartment is switched on.

L. Fan function



To select a different set temperature refer to "Temperature regulation".

Switching off the fridge

It is possible to switch off only the fridge compartment maintaining the freezer on.

1. Press Functions until the fridge compartment indicator appears.
The fridge OFF indicator and the fridge compartment indicator flash.
The fridge temperature indicator shows dashes.
2. Press OK to confirm.
The fridge OFF indicator is shown and the fridge compartment is switched off.

Shopping function

If you need to insert in the fridge compartment a large amount of warm food, for example after doing the grocery shopping, we suggest activating the Shopping function to chill the products more rapidly and to avoid warming the other food which is already in the refrigerator.

1. Press the Functions until the corresponding icon appears.
The Shopping indicator flashes.
2. Press the OK to confirm.
The Shopping indicator is shown. The fan activates automatically for the function duration.
This function stops automatically after approximately 6 hours.


You can deactivate the Shopping function before its automatic end by repeating the procedure or by selecting a different fridge set temperature.

Holiday mode

This mode allows you to keep the fridge compartment empty during a long holiday period reducing the formation of bad


odours while the freezer compartment can work normally.

1. Press the Functions until the corresponding icon appears. The Holiday indicator flashes. The temperature indicator shows the set temperature.
2. Press the OK to confirm. The Holiday indicator is shown.

 This mode switches off after selecting a different temperature.

FastFreeze function

The FastFreeze is used to perform pre-freezing and fast freezing in sequence of Freezer compartment. This function accelerates the freezing of fresh food and, at the same time, protects foodstuffs already stored from undesirable warming.

 To freeze fresh food activate the FastFreeze function at least 24 hours before placing the food to complete pre-freezing.

1. To activate this function press the Functions button until the corresponding icon appears. The FastFreeze indicator flashes.
2. Press the OK button to confirm. The FastFreeze indicator is shown. This function stops automatically after 52 hours.

You can deactivate the FastFreeze function before its automatic end by repeating the procedure until the FastFreeze indicator turns off or by selecting a different set temperature.

Fan function


The refrigerator compartment is equipped with a device that allows rapid cooling of food and keeps more uniform temperature in the compartment.

This device activates automatically when needed or manually.

To switch on the function:

1. Press the Functions button until the corresponding icon appears. The Fan indicator flashes.
2. Press the OK button to confirm. The Fan indicator is shown.

To switch off the function repeat the procedure until the Fan indicator icon goes off.

 If the function is activated automatically the Fan indicator is not shown (refer to "Daily use"). The activation of the Fan function increase the energy consumption.

The dynamic air device stops when the door is open and restarts immediately after the door closing.

ChildLock function

Activate the ChildLock function to lock the buttons from unintentional operation.

1. Press Functions until the corresponding icon appears. The ChildLock indicator flashes.
2. Press OK to confirm. The ChildLock indicator is shown. To deactivate the ChildLock function, repeat the procedure until the ChildLock indicator goes off.

DrinksChill function

The DrinksChill function is to be used to set an acoustic alarm at the preferred time, useful for example when a recipe requires to cool down food products for a certain period of time.

It is also useful when a reminder is needed in order not to forget the bottles or cans placed in the freezer for fast cooling.

1. Press Functions until the corresponding icon appears. The DrinksChill indicator flashes. The Timer shows the set value (30 minutes) for a few seconds.
2. Press the Timer regulator to change the Timer set value from 1 to 90 minutes.

3. Press OK to confirm.
The DrinksChill indicator is shown.
The Timer starts to flash (min).
At the end of the countdown the "0 min" indicator flashes and an audible alarm sounds. Press OK to switch off the sound and terminate the function.

To switch off the function repeat the procedure until the DrinksChill goes off.

- i** It is possible to change the time at any time during the countdown and at the end by pressing the Temperature colder button and the Temperature warmer button.

High temperature alarm

When there is a temperature increase in the freezer compartment (for example due to an earlier power failure), the alarm and freezer temperature indicators flash and the sound is on.

To deactivate the alarm:

1. Press any button.
The sound switches off.

DAILY USE

Positioning the door shelves

To permit storage of food packages of various sizes, the door shelves can be placed at different heights.

1. Gradually pull the shelf up until it comes free.
2. Reposition as required.

2. The freezer temperature indicator shows the highest temperature reached for a few seconds, then the display shows the set temperature again.

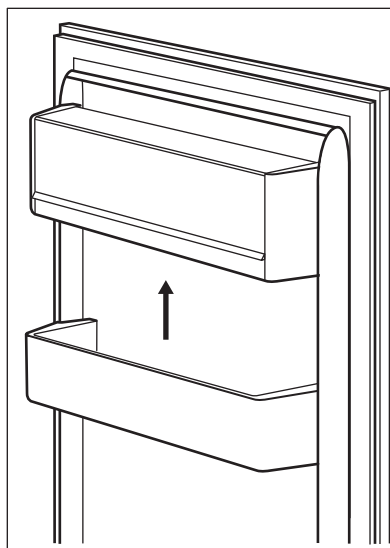
- i** The alarm indicator continues to flash until the normal conditions are restored.
If you do not press any button, the sound switches off automatically after around one hour to avoid disturbing.

Door open alarm

If the fridge door is left open for approximately 5 minutes, the sound is on and alarm indicator flashes.

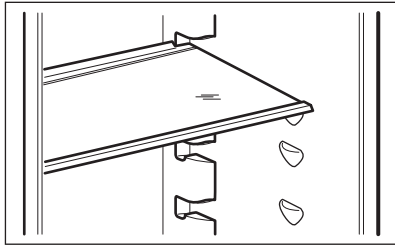
The alarm stops after closing the door. During the alarm, the sound can be muted by pressing any button.

- i** If you do not press any button, the sound switches off automatically after around one hour to avoid disturbing.



Movable shelves

The walls of the refrigerator are equipped with a series of runners so that the shelves can be positioned as desired.



- i** Do not move the glass shelf above the vegetable drawer to ensure correct air circulation.

Vegetable drawers

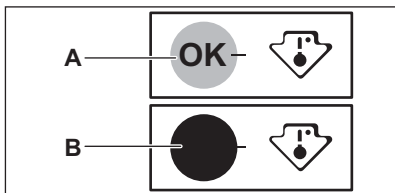
There are special drawers in the bottom part of the appliance suitable for storage of fruits and vegetables.

Temperature indicator

For proper storage of food the refrigerator is equipped with the temperature indicator. The symbol on the side wall of the appliance indicates the coldest area in the refrigerator.

If OK is displayed (A), put fresh food into area indicated by symbol, if not (B), wait at least 12 hours and check if it is OK (A).

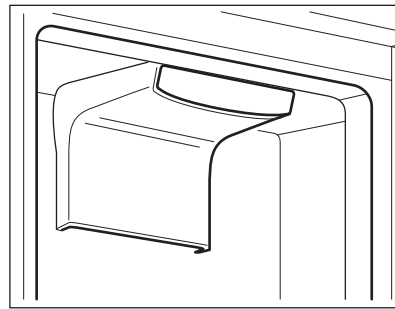
If it is still not OK (B), adjust the setting control to a colder setting.



Fan

The refrigerator compartment is equipped with a device that allows rapid cooling of foods and keeps more uniform temperature in the compartment.

This device activates automatically when needed.



It is also possible to switch on the device manually when needed (refer to "Fan function").

- i** The fan operates only when the door is closed.

Freezing fresh food

The freezer compartment is suitable for freezing fresh food and storing frozen and deep-frozen food for a long time.

To freeze fresh food activate the FastFreeze function at least 24 hours before placing the food to be frozen in the freezer compartment.

Store the fresh food evenly distributed in the third compartment or drawer from the top.

The maximum amount of food that can be frozen without adding other fresh food during 24 hours is specified on the rating plate (a label located inside the appliance).

When the freezing process is complete, the appliance automatically returns to the previous temperature setting (see "FastFreeze Function").

Storage of frozen food

When activating an appliance for the first time or after a period out of use, before putting the products in the compartment let the appliance run at least 3 hours with the FastFreeze function switched on.

The freezer drawers ensure that it is quick and easy to find the food package you want. If large quantities of food are to be stored, remove all drawers, except for the bottom drawer which needs to be in place to provide good air circulation.

Keep the food no closer than 15 mm from the door.



CAUTION! In the event of accidental defrosting, for example due to a power failure, if the power has been off for longer than the value shown on rating plate under "rising time", the defrosted food must be consumed quickly or cooked immediately then cooled and then re-frozen. Refer to "High temperature alarm".

Thawing

Deep-frozen or frozen food, prior to being consumed, can be thawed in the refrigerator or inside a plastic bag under cold water.

HINTS AND TIPS

Hints for energy saving

- Freezer: The internal configuration of the appliance is the one that ensures the most efficient use of energy.
- Fridge: Most efficient use of energy is ensured in the configuration with the drawers in the bottom part of the appliance and shelves evenly distributed. Position of the door bins does not affect energy consumption.
- Do not remove the cold accumulators from the freezer basket.
- Do not open the door frequently or leave it open longer than necessary.
- Freezer: The colder the temperature setting, the higher the energy consumption.
- Fridge: Do not set too high temperature to save energy unless it is required by the characteristics of the food.

This operation depends on the time available and on the type of food. Small pieces may even be cooked still frozen.

Ice-cube production

This appliance is equipped with one or more trays for the production of ice-cubes.



Do not use metallic instruments to remove the trays from the freezer.

1. Fill these trays with water.
2. Put the ice trays in the freezer compartment.

Cold accumulators

This appliance is equipped with cold accumulators which increase storage time in the event of a power cut or breakdown.

To ensure the best performance of the accumulators, place them in the front top area of the appliance.

- If the ambient temperature is high and the temperature control is set to low temperature and the appliance is fully loaded, the compressor may run continuously, causing frost or ice formation on the evaporator. In this case, set the temperature control toward higher temperature to allow automatic defrosting and to save energy this way.
- Ensure a good ventilation. Do not cover the ventilation grilles or holes.
- Make sure that food products inside the appliance allow air circulation through dedicated holes in the rear interior of the appliance.

Hints for freezing

- Activate FastFreeze function at least 24 hours before placing the food inside the freezer compartment.

- Before freezing wrap and seal fresh food in: aluminium foil, plastic film or bags, airtight containers with lid.
- For more efficient freezing and thawing divide food into small portions.
- It is recommended to put labels and dates on all your frozen food. This will help to identify foods and to know when they should be used before their deterioration.
- The food should be fresh when being frozen to preserve good quality. Especially fruits and vegetables should be frozen after the harvest to preserve all of their nutrients.
- Do not freeze bottles or cans with liquids, in particular drinks containing carbon dioxide - they may explode during freezing.
- Do not put hot food in the freezer compartment. Cool it down at room temperature before placing it inside the compartment.
- To avoid increase in temperature of already frozen food, do not place fresh unfrozen food directly next to it. Place food at room temperature in the part of the freezer compartment where there is no frozen food.
- Do not eat ice cubes, water ices or ice lollies immediately after taking them out of the freezer. Risk of frostbites.
- Do not re-freeze defrosted food. If the food has defrosted, cook it, cool it down and then freeze it.

Hints for storage of frozen food

- Good temperature setting that ensures preservation of frozen food products is

Shelf life for freezer compartment

Type of food	Shelf life (months)
Bread	3
Fruits (except citrus)	6 - 12
Vegetables	8 - 10
Leftovers without meat	1 - 2

a temperature less than or equal to -18°C .

Higher temperature setting inside the appliance may lead to shorter shelf life.

- The whole freezer compartment is suitable for storage of frozen food products.
- Leave enough space around the food to allow air to circulate freely.
- For adequate storage refer to food packaging label to see the shelf life of food.
- It is important to wrap the food in such a way that prevents water, humidity or condensation from getting inside.

Shopping tips

After grocery shopping:

- Ensure that the packaging is not damaged - the food could be deteriorated. If the package is swollen or wet, it might have not been stored in the optimal conditions and defrosting may have already started.
- To limit the defrosting process buy frozen goods at the end of your grocery shopping and transport them in a thermal and insulated cool bag.
- Place the frozen foods immediately in the freezer after coming back from the shop.
- If food has defrosted even partially, do not re-freeze it. Consume it as soon as possible.
- Respect the expiry date and the storage information on the package.

Type of food	Shelf life (months)
Dairy food:	
Butter	6 - 9
Soft cheese (e.g. mozzarella)	3 - 4
Hard cheese (e.g. parmesan, cheddar)	6
Seafood:	
Fatty fish (e.g. salmon, mackerel)	2 - 3
Lean fish (e.g. cod, flounder)	4 - 6
Shrimps	12
Shucked clams and mussels	3 - 4
Cooked fish	1 - 2
Meat:	
Poultry	9 - 12
Beef	6 - 12
Pork	4 - 6
Lamb	6 - 9
Sausage	1 - 2
Ham	1 - 2
Leftovers with meat	2 - 3

Hints for fresh food refrigeration

- Good temperature setting that ensures preservation of fresh food is a temperature less than or equal to +4°C. Higher temperature setting inside the appliance may lead to shorter shelf life of food.
- Cover the food with packaging to preserve its freshness and aroma.
- Always use closed containers for liquids and for food, to avoid flavours or odours in the compartment.
- To avoid the cross-contamination between cooked and raw food, cover the cooked food and separate it from the raw one.
- It is recommended to defrost the food inside the fridge.
- Do not insert hot food inside the appliance. Make sure it has cooled down at room temperature before inserting it.
- To prevent food waste the new stock of food should always be placed behind the old one.

Hints for food refrigeration

- Meat (all types): wrap in a suitable packaging and place it on the glass shelf above the vegetable drawer. Store meat for at most 1-2 days.
- Fruit and vegetables: clean thoroughly (eliminate the soil) and place in a special drawer (vegetable drawer).
- It is advisable not to keep the exotic fruits like bananas, mangos, papayas etc. in the refrigerator.
- Vegetables like tomatoes, potatoes, onions, and garlic should not be kept in the refrigerator.
- Butter and cheese: place in an airtight container or wrap in an aluminium foil or a polythene bag to exclude as much air as possible.
- Bottles: close them with a cap and place them on the door bottle shelf, or (if available) on the bottle rack.
- In order to accelerate cooling down of the goods, it is advisable to turn on the fan. The activation of dynamic air allows greater homogenization of internal temperatures.

- Always refer to the expiry date of the products to know how long to keep them.

CARE AND CLEANING



WARNING! Refer to Safety chapters.

Cleaning the interior

Before using the appliance for the first time, the interior and all internal accessories should be washed with lukewarm water and some neutral soap to remove the typical smell of a brand-new product, then dried thoroughly.



CAUTION! Do not use detergents, abrasive powders, chlorine or oil-based cleaners as they will damage the finish.



CAUTION! The accessories and parts of the appliance are not suitable for washing in a dishwasher.

Periodic cleaning

The equipment has to be cleaned regularly:

1. Clean the inside and accessories with lukewarm water and some neutral soap.
2. Regularly check the door seals and wipe them clean to ensure they are clean and free from debris.
3. Rinse and dry thoroughly.

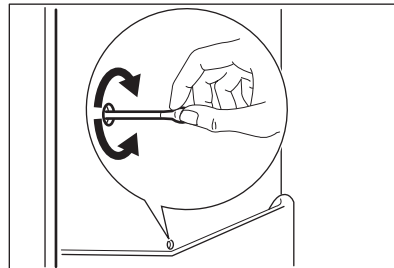
Defrosting of the refrigerator

Frost is automatically eliminated from the evaporator of the refrigerator compartment during normal use. The defrost water drains out through a trough into a special container at the back of the appliance,

over the motor compressor, where it evaporates.

It is important to periodically clean the defrost water drain hole in the middle of the refrigerator compartment channel to prevent the water overflowing and dripping onto the food inside.

For this purpose use the tube cleaner provided with the appliance.



Defrosting of the freezer

The freezer compartment is frost free. This means that there is no build up of frost when it is in operation, neither on the internal walls, nor on the foods.

Period of non-operation

When the appliance is not in use for long period, take the following precautions:

1. Disconnect the appliance from electricity supply.
2. Remove all food.
3. Clean the appliance and all accessories.
4. Leave the doors open to prevent unpleasant smells.

TROUBLESHOOTING





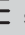
WARNING! Refer to Safety chapters.


What to do if...

Problem	Possible cause	Solution
The appliance does not operate.	The appliance is switched off.	Switch on the appliance.
	The mains plug is not connected to the mains socket correctly.	Connect the mains plug to the mains socket correctly.
	There is no voltage in the mains socket.	Connect a different electrical appliance to the mains socket. Contact a qualified electrician.
The appliance is noisy.	The appliance is not supported properly.	Check if the appliance stands stable.
Acoustic or visual alarm is on.	The cabinet has been recently switched on.	Refer to "Door Open Alarm" or "High Temperature Alarm".
	The temperature in the appliance is too high.	Refer to "Door Open Alarm" or "High Temperature Alarm".
	The door is left open.	Close the door.
The compressor operates continually.	Temperature is set incorrectly.	Refer to "Control Panel" chapter.
	Many food products were put in at the same time.	Wait a few hours and then check the temperature again.
	The room temperature is too high.	Refer to "Installation" chapter.
	Food products placed in the appliance were too warm.	Allow food products to cool to room temperature before storing.
	The door is not closed correctly.	Refer to "Closing the door" section.
	The FastFreeze function is switched on.	Refer to "FastFreeze function" section.
	The Shopping function is switched on.	Refer to "Shopping function" section.

Problem	Possible cause	Solution
The compressor does not start immediately after pressing the "FastFreeze" or "Shopping", or after changing the temperature.	The compressor starts after a period of time.	This is normal, no error has occurred.
Door is misaligned or interferes with ventilation grill.	The appliance is not levelled.	Refer to installation instructions.
Door does not open easily.	You attempted to re-open the door immediately after closing.	Wait a few seconds between closing and re-opening of the door.
The lamp does not work.	The lamp is in stand-by mode.	Close and open the door.
	The lamp is defective.	Contact the nearest Authorized Service Centre.
There is too much frost and ice.	The door is not closed correctly.	Refer to "Closing the door" section.
	The gasket is deformed or dirty.	Refer to "Closing the door" section.
	Food products are not wrapped properly.	Wrap the food products better.
	Temperature is set incorrectly.	Refer to "Control Panel" chapter.
	Appliance is fully loaded and is set to the lowest temperature.	Set a higher temperature. Refer to "Control Panel" chapter.
	Temperature set in the appliance is too low and the ambient temperature is too high.	Set a higher temperature. Refer to "Control Panel" chapter.
Water flows on the rear plate of the refrigerator.	During the automatic defrosting process, frost melts on the rear plate.	This is correct.
There is too much condensed water on the rear wall of the refrigerator.	Door was opened too frequently.	Open the door only when necessary.
	Door was not closed completely.	Make sure the door is closed completely.

Problem	Possible cause	Solution
	Stored food was not wrapped.	Wrap food in suitable packaging before storing it in the appliance.
Water flows inside the refrigerator.	Food products prevent the water from flowing into the water collector.	Make sure that food products do not touch the rear plate.
	The water outlet is clogged.	Clean the water outlet.
Water flows on the floor.	The melting water outlet is not connected to the evaporative tray above the compressor.	Attach the melting water outlet to the evaporative tray.
Temperature cannot be set.	The "FastFreeze function" or "Shopping function" is switched on.	Switch off "FastFreeze function" or "Shopping function" manually, or wait until the function deactivates automatically to set the temperature. Refer to "FastFreeze function" or "Shopping function" section.
The temperature in the appliance is too low/too high.	The temperature is not set correctly.	Set a higher/lower temperature.
	The door is not closed correctly.	Refer to "Closing the door" section.
	The food products' temperature is too high.	Let the food products temperature decrease to room temperature before storage.
	Many food products are stored at the same time.	Store less food products at the same time.
	The door has been opened often.	Open the door only if necessary.
	The FastFreeze function is switched on.	Refer to "FastFreeze function" section.
	The Shopping function is switched on.	Refer to "Shopping function" section.
	There is no cold air circulation in the appliance.	Make sure that there is cold air circulation in the appliance. Refer to "Hints and Tips" chapter.

Problem	Possible cause	Solution
DEMO appears on the display.	The appliance is in demonstration mode.	Keep the OK key pressed for approximately 10 seconds until a long sound is heard and the display turns off for a short time.
A  or  or  symbol is shown instead of numbers on the temperature display.	Temperature sensor problem.	Contact the nearest Authorized Service Centre (the cooling system will continue to keep food products cold, but temperature adjustment will not be possible).

 If the advice does not lead to the desired result, call the nearest Authorized Service Centre.

Replacing the lamp

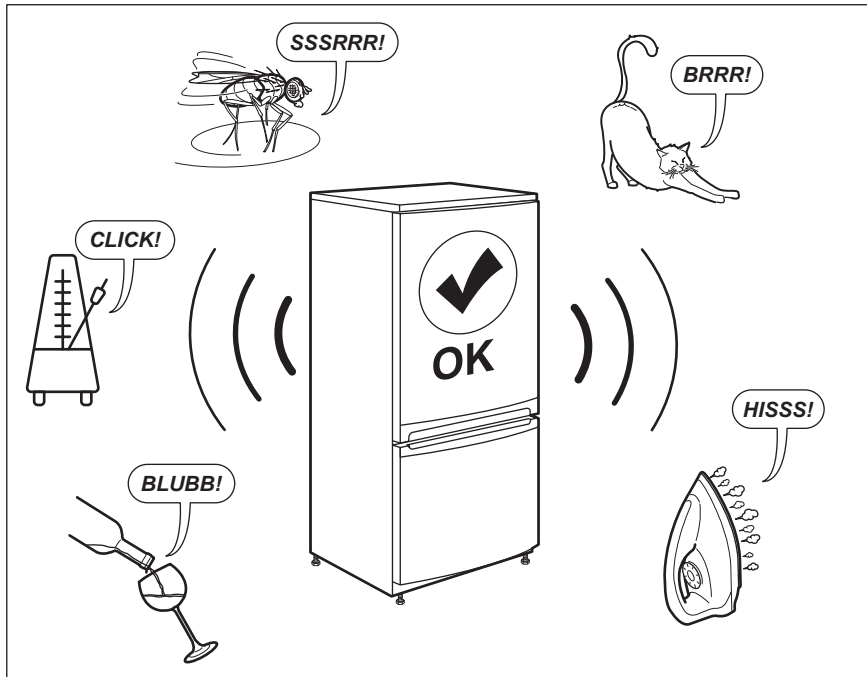
The appliance is equipped with a longlife LED interior light.

Only service is allowed to replace the lighting device. Contact your Authorized Service Centre.

Closing the door

1. Clean the door gaskets.
2. If necessary, adjust the door. Refer to installation instructions.
3. If necessary, replace the defective door gaskets. Contact the Authorized Service Centre.

NOISES



TECHNICAL DATA

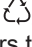
The technical information is situated in the rating plate on the internal side of the appliance and on the energy label.


INFORMATION FOR TEST INSTITUTES

Installation and preparation of the appliance for any EcoDesign verification shall be compliant with EN 62552. Ventilation requirements, recess dimensions and minimum rear clearances

shall be as stated in this User Manual at Chapter 3. Please contact the manufacturer for any other further information, including loading plans.

ENVIRONMENTAL CONCERNS

Recycle materials with the symbol . Put the packaging in relevant containers to recycle it. Help protect the environment and human health by recycling waste of electrical and electronic appliances. Do

not dispose of appliances marked with the symbol  with the household waste. Return the product to your local recycling facility or contact your municipal office.

INDHOLDSFORTEGNELSE

Om sikkerhed	22	Vedligeholdelse og rengøring	36
Sikkerhedsanvisninger	24	Fejlfinding	37
Installation	26	Støj	40
Kontrolpanel	28	Tekniske data	41
Daglig brug	31	Oplysninger til testinstitutter	41
Råd og tips	33		

Ret til ændringer uden varsel forbeholdes.

OM SIKKERHED

Læs brugsanvisningen grundigt, før apparatet installeres og tages i brug. Producenten påtager sig intet ansvar for eventuelle skader, der er resultatet af forkert installation eller brug. Opbevar altid brugsanvisningen på et sikkert og tilgængeligt sted til senere opslag.

Sikkerhed for børn og andre udsatte personer

- Apparatet kan bruges af børn fra 8 år og opefter samt af personer med nedsat fysisk, sensorisk eller psykisk funktionsevne, eller som mangler den nødvendige erfaring eller viden, hvis de er under opsyn eller er blevet instrueret i at bruge apparatet på en sikker måde samt forstår de medfølgende farer.
- Børn mellem 3 og 8 år må fylde og tømme apparatet, såfremt de er blevet instrueret korrekt.
- Dette apparat må bruges af personer med meget omfattende og komplekst handicap, såfremt de er blevet instrueret korrekt.
- Børn på under 3 år skal holdes på afstand af apparatet, med mindre de overvåges konstant.
- Børn må ikke lege med apparatet.
- Børn må ikke udføre rengøring og vedligeholdelse på apparatet uden opsyn.
- Opbevar al emballage utilgængeligt for børn, og bortskaf det korrekt.

Generel sikkerhed

- Dette apparat er beregnet til husholdningsbrug eller lignende anvendelse, som f.eks.:
 - Stuehuse, kantineområder i butikker, på kontorer og i andre arbejdsmiljøer
 - Af kunder på hoteller, moteller, bed & breakfast og andre miljøer af indkvarteringstypen.
- Overhold følgende instruktioner for at undgå kontaminering af mad:
 - lad ikke lågen stå åben i lange perioder;
 - rengør regelmæssigt overflader, der kan komme i kontakt med mad og tilgængelige dræningssystemer;
 - opbevar rå kød og rå fisk i velegnede beholdere i køleskabet, så det ikke kommer i kontakt med eller drypper på andet mad.
- ADVARSEL: Sørg for, at der er frit gennemtræk gennem udluftninger, både i apparatets kabinet og i et evt. indbygningselement.
- ADVARSEL: Brug ikke mekaniske redskaber eller andre kunstige hjælpemidler til at fremskynde optøningen, medmindre de er anbefalet af producenten.
- ADVARSEL: Undgå at beskadige kølekredsløbet.
- ADVARSEL: Brug ikke el-apparater indvendig i køleskabet, med mindre det er anbefalet af producenten.
- Undlad at bruge højtryksrensere eller damp til at rengøre apparatet.
- Rengør apparatet med en fugtig, blød klud. Brug kun et neutralt rengøringsmiddel. Brug ikke slibende midler, skuresvampe, opløsningsmidler eller metalgenstande.
- Når apparatet står tomt i en lang periode, skal det slukkes, afrimes, rengøres, tørres, og lågen skal efterlades åben for at forhindre, at der dannes mug i apparatet.
- Opbevar ikke eksplosive stoffer, som f.eks. aerosolbeholdere med brændbar drivgas, i dette apparat.
- Hvis netledningen er beskadiget, skal den af sikkerhedsgrunde udskiftes af producenten, et autoriseret

servicecenter eller en tekniker med tilsvarende kvalifikationer.

SIKKERHEDSANVISNINGER

Installation



ADVARSEL! Apparatet må kun installeres af en sagkyndig.

- Fjern al emballagen.
- Undlad at installere eller bruge et beskadiget apparat.
- Brug ikke apparatet, inden det monteres i den indbyggede struktur, pga. sikkerhed.
- Følg installationsvejledningen, der følger med apparatet.
- Vær altid forsigtig, når du flytter apparatet, da det er tungt. Brug altid sikkerhedshandsker og lukket fodtøj.
- Sørg for, at luften kan cirkulere omkring apparatet.
- Vent mindst 4 timer, inden du slutter apparatet til strømforsyningen efter første installation eller efter at have vendt døren. Dette er for, at olien kan løbe tilbage i kompressoren.
- Inden der udføres nogen form for arbejde på apparatet (f.eks. vending af døren), skal stikket altid tages ud af kontakten.
- Installér ikke apparatet tæt på radiatorer eller komfurer, ovne eller kogeplader.
- Udsæt ikke apparatet for regn.
- Installér ikke apparatet, hvor der er direkte sollys.
- Montér ikke apparatet på områder, der er for fugtige eller for kolde.
- Når du flytter apparatet, skal du løfte op i forkanten, så gulvet ikke bliver ridset.
- Apparatet indeholder en pose med tørremiddel. Dette er ikke et legetøj. Dette er ikke mad. Skal bortskaffes med det samme.

Tilslutning, el



ADVARSEL! Risiko for brand og elektrisk stød.



ADVARSEL! Ved placering af apparatet skal du sørge for, at forsyningsledningen ikke sætter sig fast eller bliver beskadiget.



ADVARSEL! Brug ikke adaptere med flere stik og forlængerledninger.

- Apparatet skal tilsluttes strøm m/jord, jvf. Stærkstrømsreglementet.
- Sørg for, at parametrene på typeskiltet er kompatible med nettilslutningens elektriske mærkeværdier.
- Brug altid en korrekt monteret lovlig stikkontakt.
- Pas på, du ikke beskadiger de elektriske komponenter (f.eks. netstik, netledning, kompressor). Kontakt det autoriserede servicecenter eller en elektriker for at skifte de elektriske komponenter.
- Netledningen skal være under niveauet for netstikket.
- Sæt først netstikket i stikkontakten ved installationens afslutning. Sørg for, at der er adgang til elstikket efter installationen.
- Undgå at slukke for apparatet ved at trække i netledningen. Tag altid selve netstikket ud af kontakten.

Brug



ADVARSEL! Risiko for personskade, forbrændinger, elektrisk stød eller brand.



Dette apparat indeholder brændbar gas, isobutan (R600a), en naturgas med høj biologisk nedbrydelighed. Vær omhyggelig med ikke at forårsage skade på kølekredsløbet, der indeholder isobutan.

- Apparatets specifikationer må ikke ændres.
- Anbring ikke el-apparater (f.eks. ismaskiner) i apparatet, medmindre det er angivet på apparatet som egnet af producenten.
- Hvis der opstår skader på kølekredsløbet, skal du sørge for, at der ikke er åben ild eller antændelseskilder i rummet. Luft ud i rummet.
- Lad ikke varme ting røre apparatets plastdele.
- Sæt ikke drikkevarer med kulsyre (brus) i fryserafdelingen. Dette vil skabe tryk på drikkevarerne.
- Opbevar ikke brandfarlig gas og væsker i apparatet.
- Undlad at bruge brændbare produkter eller ting, der er fugtet med brændbare produkter, i apparatet eller i nærheden af eller på dette.
- Rør ikke ved kompressoren eller kondensatoren. De er varme.
- Rør ikke ved ting fra fryserafdelingen, hvis dine hænder er våde eller fugtige.
- Indfrys ikke madvarer, der har været optøet.
- Følg opbevaringsanvisningerne på emballagen til frostvaren.
- Pak madvaren ind i fødekontaktmateriale, inden den lægges i fryseren.

Indvendig belysning



ADVARSEL! Risiko for elektrisk stød.

- Vedrørende lampe(rne) i dette produkt og reservedelslamper, der sælges separat: Disse lamper er beregnet til at modstå ekstreme fysiske forhold i husholdningsapparater, såsom temperatur, vibration, fugt, eller er beregnet til at signalere information om apparatets driftsstatus. De er ikke beregnet til at blive brugt i andre

apparater, og de er ikke velegnede til belysning af rum.

Vedligeholdelse og rengøring



ADVARSEL! Risiko for skader på mennesker eller apparat.

- Sluk for apparatet, og tag stikket ud af kontakten inden vedligeholdelse.
- Apparatets kølesystem indeholder kulbrinter. Kun en faguddannet person må udføre vedligeholdelse og opladning af enheden.
- Undersøg jævnligt apparatets afløb, og rengør det, hvis det er nødvendigt. Hvis afløbet er blokeret, ophobes afrymningsvandet i bunden af apparatet.

Service

- Kontakt det autoriserede servicecenter for at få repareret apparatet. Brug kun originale reservedele.
- Bemærk, at hvis man selv reparerer apparatet, eller får det repareret af en ikke-faglig, kan det have sikkerhedsmæssige konsekvenser og vil muligvis ugyldiggøre garantien.


Bortskaffelse




ADVARSEL! Risiko for personskade eller kvælning.

- Tag stikket ud af kontakten.
- Klip elledningen af, og kassér den.
- Fjern lågen, så børn og kæledyr ikke kan blive lukket inde i apparatet.
- Apparatets kølekredsløb og isoleringsmaterialer er ozonvenlige.
- Isoleringsskummet indeholder brændbar gas. Kontakt din genbrugsplads ang. oplysninger om, hvordan apparatet bortskaffes korrekt.
- Undgå at beskadige delene til køleenheden, der befinder sig i nærheden af varmeveksleren.

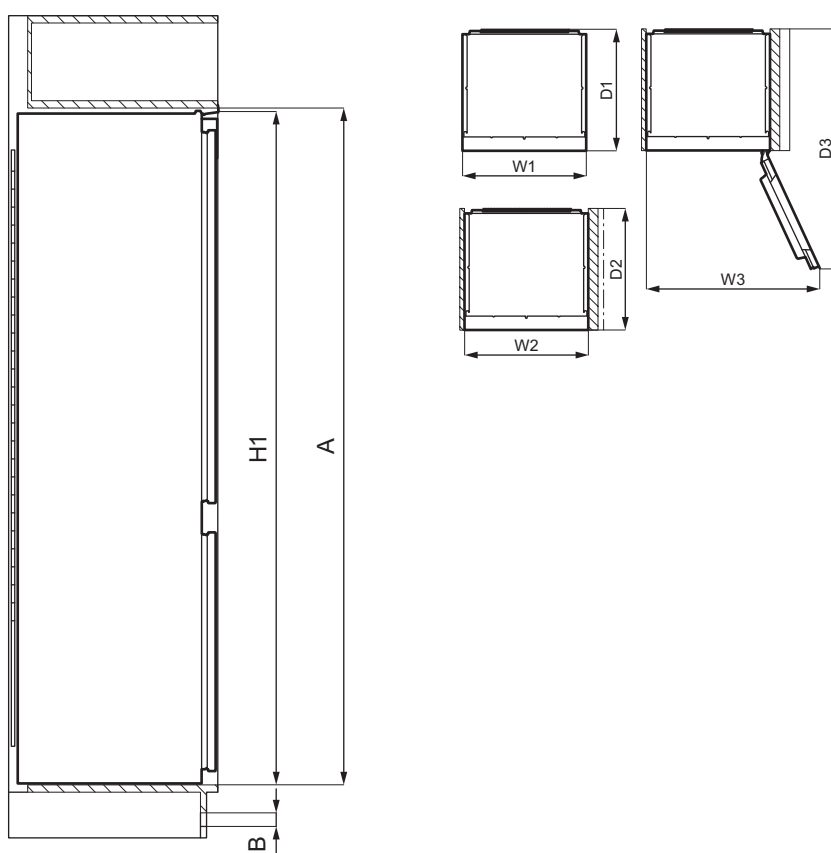
INSTALLATION

 **ADVARSEL!** Se kapitlerne om sikkerhed.

 **ADVARSEL!** Se dokumentet med installationsinstruktioner for at installere dit apparat.

 **ADVARSEL!** Fastgør apparatet i overensstemmelse med dokumentet med installationsinstruktioner for at undgå en risiko for ustabilitet af apparatet.

Mål



Samlede mål ¹		
H1	mm	1769
W1	mm	556

Samlede mål ¹		
D1	mm	549

¹ apparatets højde, bredde og dybde uden håndtaget og fødderne

Påkrævet plads under brug ²		
H2 (A+B)	mm	1816
W2	mm	560
D2	mm	552
A	mm	1780
B	mm	36

² apparatets højde, bredde og dybde inkl. håndtaget, samt den nødvendige plads til fri cirkulation af den afkølede luft

Samlet plads påkrævet under brug ³		
H3 (A+B)	mm	1816
W3	mm	780
D3	mm	1085

³ apparatets højde, bredde og dybde inkl. håndtaget, samt den nødvendige plads til fri cirkulation af den afkølede luft, samt den nødvendige plads for at lågen kan åbnes til den minimale vinkel, som gør det muligt at fjerne alt internt udstyr

Placering

Med henblik på at sikre apparatets bedste funktion bør du ikke installere apparatet i nærheden af varmekilden (ovn, komfurer, radiatorer eller kogeplader) eller på et sted med direkte sollys. Sørg for, at luft kan cirkulere frit omkring bagsiden af skabet.

Opstilling

Dette apparat bør installeres i en tør, godt ventileret indendørs position.

Dette apparat er beregnet til at blive brugt ved omgivende temperatur fra 10°C til 43°C.

- i** Der kan kun garanteres korrekt drift af apparatet inden for det specifikke temperaturinterval.

- i** Hvis du er i tvivl om, hvor du kan installere apparatet, bedes du henvende dig til sælgeren, vores kundeservice eller til det nærmeste autoriserede servicecenter.

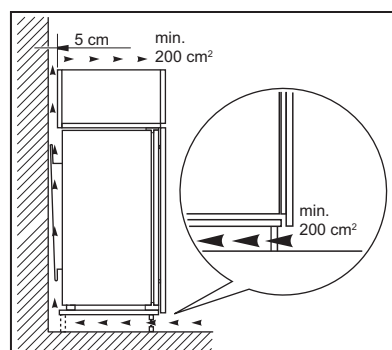
- i** Det skal være muligt at koble apparatet fra lysnettet. Der skal derfor være let adgang til stikket efter installationen.


EI-forbindelse

- Inden tilslutning til lysnettet skal det kontrolleres, at spændingen og frekvensen på mærkepladen svarer til boligens forsyningsstrøm.
- Apparatet skal tilsluttes strøm m/jord, jvf. Stærkstrømsreglementet. Stikket på netledningen har en kontakt til dette formål. Hvis der ikke er jord på stikkontakten, tilsluttes apparatet en særskilt jordforbindelse iht. Stærkstrømsreglementet. Spørg en autoriseret installatør til råds.
- Producenten fralægger sig ethvert ansvar, hvis de nævnte sikkerhedsregler ikke overholdes.
- Apparatet er i overensstemmelse med EU-direktiverne.

Krav til lufttilførsel

Der skal være tilstrækkelig luftstrøm bag apparatet.



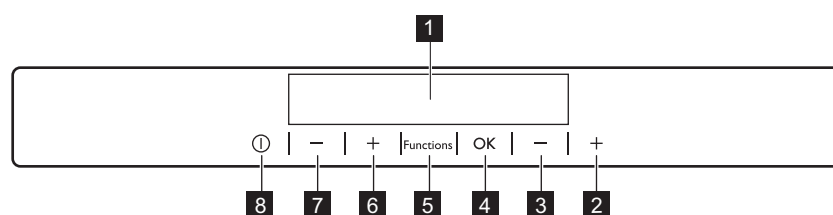
 **FORSIGTIG!** Se installationsvejledningen vedr. installation.

 **FORSIGTIG!** Ved hver fase af lågens vending skal gulvet beskyttes mod ridser med et holdbart materiale.

Vending af dør

Se særskilt dokument med vejledning om installation og vending af låge.

KONTROLPANEL



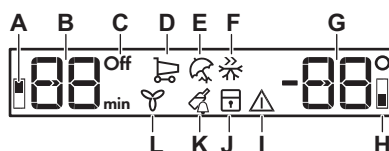
- 1** Display
- 2** Knap til øgning af temperatur i fryser
- 3** Knap til sænkning af temperatur i fryser
- 4** OK
- 5** Functions
- 6** Knap til øgning af køleskabets temperatur

- 7** Knap til sænkning af køleskabets temperatur

- 8** ON/OFF

Den foruddefinerede knaplyd kan ændres ved at trykke på Functions og knappen til sænkning af temperatur samtidigt i nogle få sekunder. Ændringen kan tilbageslides.

Display



- A.** Indikator, køleafdeling
- B.** Timerindikator /Temperaturindikator
- C.** ON/OFF-lampe
- D.** Shopping-funktion
- E.** Holiday-tilstand
- F.** FastFreeze-funktion
- G.** Temperaturindikator
- H.** Fryserafdelingens indikator
- I.** Advarselslampe
- J.** ChildLock-funktion
- K.** DrinksChill-funktion
- L.** Ventilator-funktion

Aktivering

1. Sæt stikket i stikkontakten.

2. Tryk på apparatets ON/OFF-knap, hvis displayet er slukket.

Temperaturindikatorerne viser den indstillede standardtemperatur. Se under "Indstilling af temperatur" for at ændre temperaturen.

Hvis der vises "dEMo" på displayet, henvises der til "Fejlfinding".

Deaktivering

1. Tryk på skabets ON/OFF i 3 sekunder. Displayet slukkes.
2. Træk stikket ud af stikkontakten.

Indstilling af temperatur

Indstil skabstemperaturen ved at trykke på temperaturvælgerne.

Den anbefalede indstillingstemperatur er som standard:

- +4 °C i køleskabet
- -18 °C i fryseren

Temperaturintervallet kan variere mellem -15 °C og -24 °C for fryser og mellem 2 °C og 8 °C for køleskab.

Temperaturindikatorerne viser den indstillede temperatur.



Den indstillede temperatur vil blive nået inden for 24 timer. Den indstillede temperatur huskes efter et strømsvigt.

Tænding af køleskabet

Det er nok at trykke på køleskabets temperaturvælger for at tænde køleskabet. Køleskabet kan også tændes på en anden måde:

1. Tryk på Functions, indtil det tilsvarende ikon vises. OFF-lampen for køleskabet blinker.
2. Tryk på OK for at bekræfte. Lampen OFF for køleskabet slukkes, og køleafdelingen tændes.



Se under "Indstilling af temperatur" for at ændre temperaturen.

Slukning af køleskabet

Det er muligt kun at slukke for køleafdelingen, mens fryseafdelingen forbliver tændt.

1. Tryk på Functions, indtil lampen for køleafdelingen tændes. OFF-lampen for køleskabet og lampen for køleafdelingen blinker. Køleskabets temperaturlampe viser streger.
2. Tryk på OK for at bekræfte. Lampen OFF for køleskabet vises, og køleafdelingen slukkes.

Shopping-funktion

Hvis det er nødvendigt at anbringe store mængder varme madvarer, f.eks. efter indkøb, anbefales det at aktivere Shopping-funktionen for at køle varerne hurtigere ned og for at undgå at opvarme de andre fødevarer i køleskabet.


1. Tryk på Functions, indtil det tilsvarende symbol vises på displayet. Shopping-lampen blinker.
2. Tryk på OK for at bekræfte. Shopping-lampen vises. Blæseren aktiveres automatisk gennem funktionens varighed. Funktionen standser automatisk efter ca. 6 timer.

Du kan deaktivere Shopping-funktionen, inden den slutter automatisk, ved at gentage proceduren eller ved at vælge en anden indstillet køleskabstemperatur.

Holiday-tilstand


Tilstanden giver mulighed for at holde køleskabsafdelingen tom under en længere ferieperiode, så dannelsen af dårlige lugte reduceres, mens fryserafdelingen kan virke normalt.

1. Tryk på Functions, indtil det tilsvarende symbol vises på displayet. Holiday-lampen blinker. Temperaturindikatoren viser temperaturen.
2. Tryk på OK for at bekræfte. Holiday-lampen vises.

-  Denne tilstand slås fra efter at have valgt en anden temperatur.

FastFreeze-funktion

FastFreeze bruges til at udføre forhåndsfrysning og lynfrysning i frysersekvens. Denne funktion bruges til hurtig nedfrysning af friske madvarer og hindrer samtidig opvarmning af allerede dybfrosne madvarer.

-  Inden indfrysning af friske madvarer startes FastFreeze-funktionen mindst 24 timer, før madvarerne afslutter forhåndsfrysning.

1. Tryk på knappen Functions, indtil det tilsvarende ikon vises, for at slå funktionen til.
FastFreeze-lampen blinker.
2. Tryk på knappen OK for at bekræfte.
FastFreeze-lampen vises.
Funktionen standser automatisk efter 52 timer.

Du kan deaktivere FastFreeze-funktionen, inden den slutter automatisk, ved at gentage proceduren, indtil FastFreeze-lampen slukkes, eller ved at vælge en anden indstillet temperatur.

Ventilator-funktion


Køleskabet er udstyret med en funktion, der afkøler maden hurtigt og holder mere ensartet temperatur i skabet.

Denne enhed aktiveres automatisk efter behov eller manuelt.

Sådan slås funktionen til:

1. Tryk på knappen Functions, indtil det tilsvarende symbol vises i displayet.
Ventilator-lampen blinker.
2. Tryk på knappen OK for at bekræfte.
Ventilator-lampen vises.

Funktionen slås fra ved at gentage proceduren, indtil Ventilator-indikatorikonet slukkes.

-  Hvis funktionen aktiveres automatisk, vises Ventilator-indikatoren ikke (se "Daglig brug").
Aktiveringen af Ventilator-funktionen øger energiforbruget.

Den dynamiske luftenhed slås fra, når lågen åbnes, og slås automatisk til igen, når lågen lukkes.

ChildLock-funktion

Aktivér ChildLock-funktionen for at låse knapperne og forhindre utilsigtet betjening.

1. Tryk på Functions, indtil det tilsvarende ikon vises.
ChildLock-lampen blinker.
2. Tryk på OK for at bekræfte.
ChildLock-lampen vises.
ChildLock-funktionen slås fra ved at gentage proceduren, indtil ChildLock-indikatoren slukkes.

DrinksChill-funktion

DrinksChill-funktionen bruges til at indstille en lydalarm på et ønsket tidspunkt, hvilket f.eks. er praktisk, når en opskrift kræver, at fødevarer køles ned i et bestemt stykke tid.

Det er også praktisk, når der er brug for en påmindelse for ikke at glemme de flasker eller dåser, der stilles i fryseren med henblik på hurtig afkøling.

1. Tryk på Functions, indtil det tilsvarende ikon vises.
DrinksChill-lampen blinker.
Timeren viser den indstillede værdi (30 minutter) i få sekunder.
2. Tryk på Timer-vælgeren for at ændre timerens indstilling fra 1 til 90 minutter.
3. Tryk på OK for at bekræfte.
DrinksChill-lampen vises.
Timeren begynder at blinke (min).
Ved nedtællingens afslutning blinker "0 min"-indikatoren, og der høres en

lydalarm. Tryk på OK for at slukke for lyden og afslutte funktionen.

Funktionen slås fra ved at gentage proceduren, indtil DrinksChill slukkes.

- i** Tiden kan ændres når som helst under nedtællingen og også ved afslutningen ved at trykke på temperaturvælgeren for afkøling og opvarmning.

Alarm for høj temperatur

Når der er en temperaturstigning i fryseren (f.eks. pga. et tidligere strømsvigt), blinker advarsels- og frysertemperaturlamperne, og lyden tændes.

Sådan deaktiveres alarmerne:

1. Tryk på en vilkårlig knap. Lyden slukkes.
2. Fryserens temperaturindikator viser den højeste opnåede temperatur i nogle få sekunder, og derefter viser displayet den indstillede temperatur igen.

- i** Alarmindikatoren fortsætter med at blinke, indtil de normale forhold er genoprettet. Hvis du ikke trykker på nogen knap, slukkes lyden automatisk efter ca. en time for at undgå forstyrrelse.

Alarm for åben låge

Hvis køleskabets låge står åben i ca. 5 minutter, tændes lyden, og advarselsslampen blinker.

Alarmerne stopper, når lågen er lukket. Når alarmerne lyder, kan lyden afbrydes ved at trykke på en vilkårlig knap.

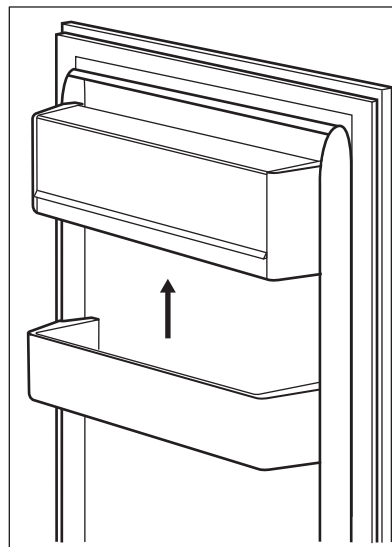
- i** Hvis du ikke trykker på nogen knap, slukkes lyden automatisk efter ca. en time for at undgå forstyrrelse.

DAGLIG BRUG

Placering af dørhylder

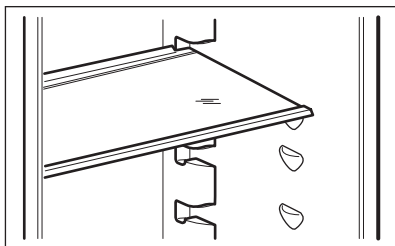
Hylderne i døren kan sættes i forskellig højde, så der er plads til madvarer af forskellig størrelse.

1. Træk gradvist hylden op, til den kommer fri.
2. Sæt den derpå i den ønskede højde.



Flytbare hylder

Køleskabets vægge har en række skinner, så hylderne kan placeres efter ønske.



i Flyt ikke glashylden over grøntsagsskuffen. Den sikrer korrekt luftcirkulation.

Grøntsagsskuffer

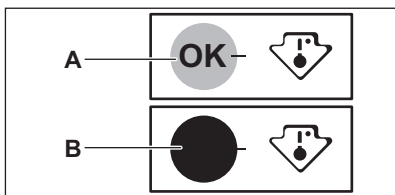
Der er specielle skuffer i den nederste del af apparatet, som er velegnet til opbevaring af frugt og grønt.

Temperaturindikator

Køleskabet er udstyret med temperaturindikatoren for korrekt opbevaring af madvarer. Symbolet på apparatets sidevæg angiver det koldeste område i køleskabet.

Hvis der vises OK (A), skal du lægge friske madvarer i området indikeret af symbolet. Hvis ikke (B) skal du vente i mindst 12 timer og kontrollere, om den er OK (A).

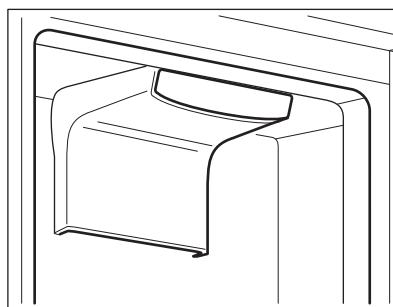
Hvis den stadigvæk ikke er OK (B), skal du justere indstillingskontrollen til en koldere indstilling.



Ventilator

Køleskabet er udstyret med en funktion, der afkøler maden hurtigt og holder mere ensartet temperatur i skabet.

Denne enhed aktiveres automatisk efter behov.



Du kan også slå enheden til manuelt efter behov (se under "Ventilator-funktion").

i Blæseren fungerer kun, når lågen er lukket.

Nedfrysning af friske madvarer

Fryseafdelingen er velegnet til indfrysning af friske madvarer og til opbevaring af frosne og dybfrosne madvarer i lang tid.

Inden indfrysning af friske madvarer startes FastFreeze-funktionen mindst 24 timer, før madvarerne lægges i fryseafdelingen.

Opbevar den friske mad jævnt fordelt i den tredje afdeling eller skuffe fra oven.

Den maksimale mængde madvarer, der kan nedfryses, uden at tilføje andre friske madvarer i løbet af 24 timer, står på typepladen (et mærkat indvendig i apparatet).

Når indfrysningen er slut, vender apparatet automatisk tilbage til den tidligere temperaturindstilling (se "FastFreeze-funktionen").

Opbevaring af frosne madvarer

Når et apparat tændes for første gang eller efter en længere periode, hvor det ikke har været anvendt, skal det køre i mindst 3 timer med funktionen FastFreeze slået til, inden der lægges madvarer ind.

Fryseskufferne gør, at du hurtigt og nemt kan finde de madvarer, du skal bruge. Hvis der skal opbevares store mængder madvarer, tages alle skuffer ud, undtagen nederste skuffe, der skal blive siddende for at sikre god luftcirkulation.

Opbevar madvarerne med en afstand på mindst 15 mm fra døren.



FORSIGTIG! Hvis madvarerne optøs ved et uheld, f.eks. som følge af strømsvigt, og strømafbrydelsen har været længere end den viste værdi på typeskiltet under "temperaturstigningstid", skal madvarerne enten spises eller tilberedes med det samme, nedkøles og derefter nedfryses igen. Se under "Alarm for høj temperatur".

Optøning

Inden frostvarer og dybfrossen mad spises, kan det optøs i køleskabet eller i en plastikpose under koldt vand.

RÅD OG TIPS

Energisparetips

- Fryser: Den interne konfiguration af apparatet er den, der sikrer den meste effektive energianvendelse.
- Køleskab: Den mest effektive energianvendelse sikres i konfigurationen med skufferne i den nederste del af apparatet og hyldeerne jævnt fordelt. Dørbeholdernes placering påvirker ikke energiforbruget.
- Fjern ikke kuldeakkumulatorerne fra frysekurven.

Dette afhænger af den tilgængelige tid og af madtypen. Små stykker kan endda tilberedes, mens de stadigvæk er frosne.

Isterningbakker

Apparatet har en eller flere bakker til isterninger.



Brug ikke metalgenstande til at tage bakkerne ud af frostrummet.

1. Fyld vand i disse bakker.
2. Sæt isbakkerne i frostafdelingen.

Kuldeakkumulatorer

Dette apparat er udstyret med kuldeakkumulatorer, der øger opbevaringstiden i tilfælde af strømafbrydelse eller driftsforstyrrelser.

For at sikre den bedste akkumulatorydeevne bør de placeres i apparatets forreste øverste område.

- Åbn døren så lidt som muligt, og lad den ikke stå åben længere end nødvendigt.
- Fryser: Jo koldere temperaturindstilling, des højere er energiforbruget.
- Køleskab: Stil ikke en for høj temperatur for at spare energi, med mindre det kræves af madens karakteristika.
- Hvis den omgivende temperatur er høj, termostatknappen står på lav temperatur, og apparatet er helt fyldt, kører kompressoren muligvis konstant, så der dannes rim eller is på fordampere. I så fald bør du stille

termostatknappen på en højere temperatur for at tillade automatisk afrimning og for at spare energi på denne måde.

- Sørg for en god udluftning. Dæk ikke ventilationsristerne eller hullerne.
- Sørg for, at madprodukter inden i apparatet lader luften cirkulere gennem særlige huller bagest på apparatets inderside.

Råd om frykning

- Aktiver FastFreeze-funktionen mindst 24 timer inden der lægges mad i fryseren.
- Inden nedfrysning skal friske madvarer pakkes ind og forsegles i: aluminiumsfolie, plastikfilm eller -poser, lufttætte beholdere med låg.
- For mere effektiv nedfrysning og optøning skal maden deles op i små portioner.
- Det anbefales at sætte mærkater og datoer på alle dine frosne madvarer. Dette vil hjælpe med at identificere mad og vide, hvornår det bør bruges, inden det bliver dårligt.
- Maden bør være frisk, når den fryses ned, for at bevare god kvalitet. Især frugt og grønt bør fryses ned efter høsten for at bevare alle deres næringsstoffer.
- Nedfrys ikke flasker eller dåser med væsker, især drikkevarer indeholdende kuldioxid - de kan eksplodere under nedfrysning.
- Sæt ikke varm mad i fryseren. Nedkøl den ved stuetemperatur, inden den placeres i afdelingen.
- For at undgå en temperaturstigning af allerede frossen mad må du ikke anbringe frisk ufrossen mad lige ved siden af den. Placer mad ved stuetemperatur i den del af fryseren, hvor der ikke er noget frossen mad.
- Undlad at spise isterninger og sodavandsis, lige efter du har taget dem ud af fryseren. Risiko for forfrysninger.

- Genfrys ikke optøet mad. Hvis maden er blevet optøet, skal den tilberedes, nedkøles og derefter fryses ned.

Tips om opbevaring af frostvarer

- God temperaturindstilling, der sikrer, at opbevaring af frosne madvarer er ved en temperatur på under eller lig med -18°C .
En højere temperaturindstilling inden i apparatet kan føre til kortere holdbarhed.
- Hele fryseren er velegnet til opbevaring af frosne madvarer.
- Lad der være nok plads omkring maden, til at luften kan cirkulere frit.
- For passende opbevaring bedes du se madens holdbarhed på mærkaten på madvarens emballage.
- Det er vigtigt at pakke mad ind på en sådan måde, at det forhindrer vand, fugt eller kondensvand i at trænge ind.

Tips til indkøb

Efter indkøb:

- Sørg for, at emballagen ikke er beskadiget - maden kan blive forringet. Hvis emballagen er opsvulmet eller våd, er den muligvis ikke blevet opbevaret under optimale forhold, og optøningen er muligvis allerede gået i gang.
- Med henblik på at begrænse optøningen bør du købe frosne varer som det sidste under dit indkøb og transportere dem i en termisk og isoleret køletaske.
- Placer de frosne varer i fryseren med det samme, så snart du kommer tilbage fra butikken.
- Hvis mad er blevet optøet, selv delvist, bør du ikke genindfryse den. Spis det så hurtigt som muligt.
- Overhold udløbsdatoen og opbevaringsoplysningerne på emballagen.

Holdbarhed for fryserafdeling

Madvare	Holdbarhed (måneder)
Brød	3
Frugt (bortset fra citrus)	6 - 12
Grøntsager	8 - 10
Rester uden kød	1 - 2
Mejeriprodukter:	
Smør	6 - 9
Blød ost (f.eks. mozzarella)	3 - 4
Hård ost (f.eks. parmesan, cheddar)	6
Skaldyr:	
Fed fisk (f.eks. laks, makrel)	2 - 3
Mager fisk (f.eks. torsk, skrubbe)	4 - 6
Rejer	12
Afskallede muslinger	3 - 4
Kogt fisk	1 - 2
Kød:	
Fjerkræ	9 - 12
Oksekød	6 - 12
Svin	4 - 6
Lam	6 - 9
Pølse	1 - 2
Skinke	1 - 2
Rester med kød	2 - 3

Råd om køling af friske madvarer

- God temperaturindstilling, der sikrer, at opbevaring af friske madvarer er ved en temperatur på under eller lig med +4 °C.
En højere temperaturindstilling inden i apparatet kan føre til kortere holdbarhed af mad.
- Dæk maden med emballage for at bevare dens friskhed og aroma.
- Brug altid lukkede beholdere til væske og til mad for at undgå smage eller lugte i afdelingen.
- For at undgå krydskontaminering mellem tilberedt og rå mad bør du dække den tilberedte mad og adskille den fra den rå.

- Det anbefales at optø maden inden i køleskabet.
- Sæt ikke varm mad i apparatet. Sørg for, at den er kølet ned til stuetemperatur, inden den indsættes.
- For at forhindre madspild bør den nye mad altid stilles bag den gamle.

Råd om køling af madvarer

- Kød (alle slags): pakkes ind i passende emballage og lægges på glashylden over grøntsagsskuffen. Opbevar kød i højst 1-2 dage.
- Frugt og grønt: rens grundigt (fjern jorden) og placer i en speciel skuffe (grøntsagsskuffe).

- Det anbefales ikke at opbevare eksotisk frugt såsom bananer, mangoer, papayaer osv. i køleskabet.
- Grøntsager som tomater, kartofler, løg og hvidløg bør ikke opbevares i køleskabet.
- Smør og ost: anbring det i en lufttæt beholder eller pak det ind i alufolie eller i en polyætylenpose for at udelukke så meget luft som muligt.
- Flasker: luk dem med en kapsel og opbevar dem i dørflaskehylde, eller (hvis tilgængelige) på flaskestativet.
- For at accelerere nedkøling af varerne anbefales det at tænde for blæseren. Aktiveringen af dynamisk luft giver større homogenisering af indvendige temperaturer.
- Se altid produkternes udløbsdato for at vide, hvor længe de kan opbevares.

VEDLIGEHOJDELSE OG RENGØRING



ADVARSEL! Se kapitlerne om sikkerhed.

Indvendig rengøring

Inden apparatet tages i brug bør det vaskes indvendig (inkl. tilbehør) med lunkent vand tilsat neutral sæbe for at fjerne den typiske lugt af nyt apparat. Tør grundigt efter.



FORSIGTIG! Brug ikke vaskemidler, skurepulver, chlor eller oliebaseerede rengøringsmidler, da de beskadiger finishets overflade.



FORSIGTIG! Apparatets dele og tilbehør egner sig ikke til opvask i maskine.

Regelmæssig rengøring

Apparatet skal jævnlig rengøres:

1. Vask det indvendigt, inkl. tilbehør, med lunkent vand tilsat neutral sæbe.
2. Efterse jævnlig lågepakningerne, og tør dem af, så de er rene og fri for belægninger.
3. Skyl og tør grundigt af.

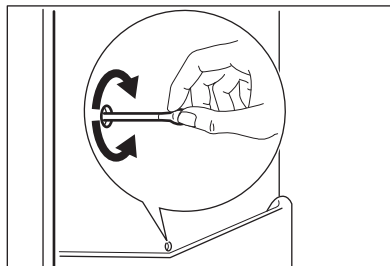
Afrimning af køleskabet

Der fjernes automatisk rim fra køleafdelingens fordampere under normal brug. Afrimningsvandet ledes ud gennem

en rende og ned i en særlig beholder bag på apparatet, over kompressoren, hvor det fordampere.

Afløbet til afrimningsvand sidder midt i renden i køleafdelingen. Det skal jævnlig renses, så vandet ikke løber over og drypper ned på maden i skabet.

Til dette formål anvendes rørrenser, der kommer med apparatet.



Afrimning af fryseren

Fryserrummet er af frost free-typen. Det betyder, at der ikke dannes rim, når det er tændt, hverken på de indvendige vægge eller på madvarerne.

Pause i brug

Tag følgende forholdsregler, når apparatet ikke skal bruges i længere tid:

1. Tag stikket ud af stikkontakten.
2. Tag al maden ud.
3. Rengør apparatet inkl. alt tilbehør.

4. Lad lågerne stå åben for at forebygge ubehagelig lugt.

FEJLFINDING






ADVARSEL! Se kapitlerne om sikkerhed.

Hvis noget går galt

Problem	Mulige årsager	Opløsning
Apparatet virker ikke.	Der er slukket for apparatet.	Tænd for køleskabet.
	Stikket er ikke sat rigtigt i stikkontakten.	Sæt stikket helt ind i stikkontakten.
	Der er ingen strøm i stikkontakten.	Prøv at tilslutte et andet elektrisk apparat til den pågældende stikkontakt. Kontakt en autoriseret elektriker.
Apparatet støjer.	Apparatet står ikke stabilt.	Kontrollér, om apparatet står stabilt.
Lydsignalet eller den visuelle alarm er slået til.	Skabet er for nylig blevet tændt.	Se "Alarm for åben dør" eller "Alarm for høj temperatur".
	Temperaturen i apparatet er for høj.	Se "Alarm for åben dør" eller "Alarm for høj temperatur".
	Døren står åben.	Luk lågen.
Kompressoren kører hele tiden.	Temperaturen er indstillet forkert.	Se kapitlet "Kontrolpanel".
	Der blev lagt for store mængder madvarer i på samme tid.	Vent nogle få timer, og kontrollér så temperaturen igen.
	Der er for høj stuetemperatur.	Se kapitlet "Installation".
	Madvarerne var for varme, da de blev lagt i apparatet.	Lad madvarerne komme ned på stuetemperatur, før de lægges i.
	Døren er ikke lukket rigtigt.	Se afsnittet "Lukning af lågen".
	Funktionen FastFreeze er tændt.	Se afsnittet "FastFreeze-funktion".
	Funktionen Shopping er tændt.	Se afsnittet "Shopping-funktion".

Problem	Mulige årsager	Opløsning
Kompressoren starter ikke straks, når der er trykket på "FastFreeze" eller "Shopping", eller når temperaturen er ændret.	Kompressoren går i gang efter et stykke tid.	Det er normalt og skyldes ikke fejl.
Lågen flugter ikke med skabet eller støder på ventilationsristen.	Apparatet er ikke i vater.	Se installationsinstruktionerne.
Lågen åbner ikke nemt.	Du forsøgte at åbne lågen igen, lige efter den blev lukket.	Vent nogle få sekunder mellem lukning og genåbning af lågen.
Pæren lyser ikke.	Pæren er i standby. Pæren er defekt.	Luk lågen, og åbn den. Kontakt det nærmeste autoriserede servicecenter.
Der er for meget rim og is.	Døren er ikke lukket rigtigt. Lågepakningen er defekt eller snavset.	Se afsnittet "Lukning af lågen". Se afsnittet "Lukning af lågen".
	Madvarerne er ikke pakket godt nok ind.	Pak madvarerne rigtigt ind.
	Temperaturen er indstillet forkert.	Se kapitlet "Kontrolpanel".
	Apparatet er helt fuldt og står på den laveste temperatur.	Vælg en højere temperatur. Se kapitlet "Kontrolpanel".
	Temperatur indstillet i apparatet er for lav, og den omgivende temperatur er for høj.	Vælg en højere temperatur. Se kapitlet "Kontrolpanel".
Der løber vand ned ad bagpladen i køleskabet.	Rimen smelter på bagpladen under den automatiske afrimningsproces.	Det er korrekt.
Der er for meget kondenseret vand på køleskabets bagste væg.	Lågen blev åbnet for hyppigt.	Åbn kun lågen, når det er nødvendigt.
	Lågen blev ikke lukket helt.	Sørg for, at lågen er helt lukket.
	Opbevaret mad blev ikke pakket ind.	Pak mad ind i velegnet emballage, inden det opbevares i apparatet.

Problem	Mulige årsager	Opløsning
Der løber vand inde i køleskabet.	Madvarer forhindrer, at vandet løber ned i vandbeholderen.	Sørg for, at madvarerne ikke rører ved bagpladen.
	Vandafløbet er tilstoppet.	Rens vandafløbet.
Der løber vand ud på gulvet.	Smeltevandsafløbet er ikke tilsluttet fordampningsbakken over kompressoren.	Tilslut smeltevandsafløbet til fordampningsbakken.
Temperaturen kan ikke indstilles.	"FastFreeze-funktion" eller "Shopping-funktion" er slået til.	Sluk for "FastFreeze-funktion" eller "Shopping-funktion" manuelt, eller vent, indtil funktionen deaktiveres automatisk, for at indstille temperaturen. Se afsnittet "FastFreeze-funktion" eller "Shopping-funktion".
Temperaturen i apparatet er for lav/høj.	Temperaturen er ikke indstillet korrekt.	Vælg en højere/lavere temperatur.
	Døren er ikke lukket rigtigt.	Se afsnittet "Lukning af lågen".
	Madvarernes temperatur er for høj.	Lad madvarerne køle ned til stuetemperatur, før de sættes i skabet.
	Der er lagt for store mængder madvarer i på samme tid.	Læg færre madvarer i ad gangen.
	Lågen er blevet åbnet for tit.	Åbn kun lågen, når det er nødvendigt.
	Funktionen FastFreeze er tændt.	Se afsnittet "FastFreeze-funktion".
	Funktionen Shopping er tændt.	Se afsnittet "Shopping-funktion".
	Der cirkulerer ikke kold luft i apparatet.	Kontrollér, at der cirkulerer kold luft i apparatet. Se kapitlet "Nyttige oplysninger og råd".
DEMO vises på displayet.	Apparatet er i demo-tilstand.	Hold OK -tasten nede i ca. 10 sekunder, indtil der lyder en lang advarsel, og displayet slukker et kort øjeblik.

Problem	Mulige årsager	Opløsning
Der vises et  - eller  - eller  -symbol i temperaturdisplayet i stedet for tal.	Problem med temperaturføler.	Kontakt det nærmeste autoriserede servicecenter (kølesystemet fortsætter med at holde madvarerne kolde, men det er ikke muligt at regulere temperaturen).

i Hvis rådet ikke fører til det ønskede resultat, skal du ringe til det nærmeste autoriserede servicecenter.

Udskiftning af pæren

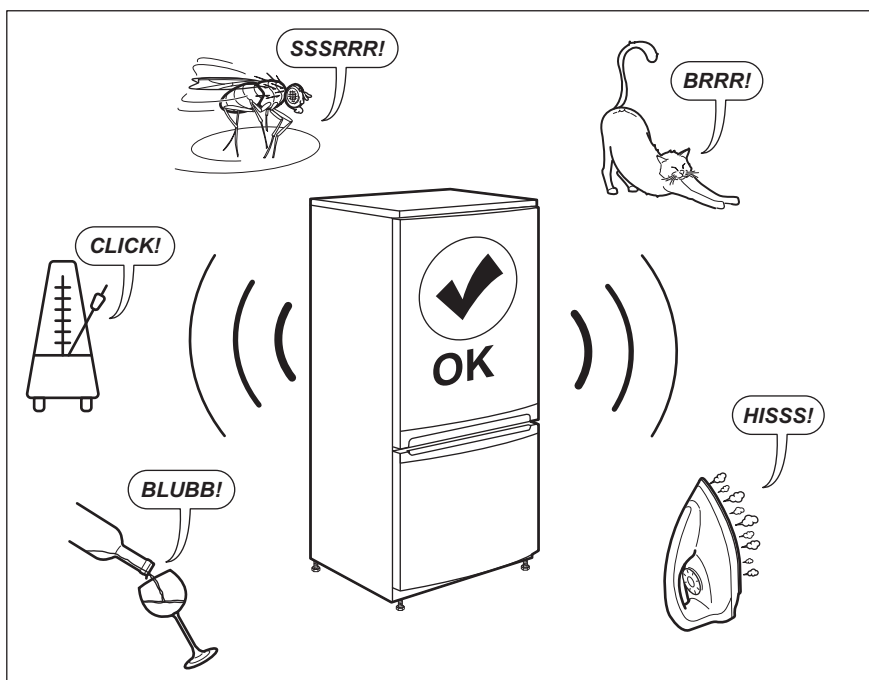
Apparatet er forsynet med en indvendig LED-pære med lang holdbarhed.

Pæren må kun skiftes af et godkendt servicecenter. Kontakt dit autoriserede servicecenter.

Lukning af lågen

1. Rengør lågepakningerne.
2. Justér lågen, hvis den ikke slutter tæt. Se installationsinstruktionerne.
3. Udskift evt. defekte lågepakninger. Kontakt det autoriserede servicecenter.

STØJ



TEKNISKE DATA

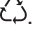
De tekniske specifikationer fremgår af typeskiltet indvendig i skabet samt af energimærket.


OPLYSNINGER TIL TESTINSTITUTTER

Installation og klargøring af apparatet til en eventuel EcoDesign-verifikation skal være i overensstemmelse med EN 62552. Ventilationskrav, mål af fordybning og minimale afstande bagpå skal være som

angivet i denne brugervejledning i kapitel 3. Kontakt producenten vedrørende andre yderligere oplysninger, herunder fyldningsplaner.

MILJØHENSYN

Genbrug materialer med symbolet . Anbring emballagematerialet i passende beholdere til genbrug. Hjælp med at beskytte miljøet og menneskelig sundhed samt at genbruge affald af elektriske og elektroniske apparater. Kasser ikke

apparater, der er mærket med symbolet , sammen med husholdningsaffaldet. Lever produktet tilbage til din lokale genbrugsplads eller kontakt din kommune.