

INSTRUCTION MANUAL

PERSONAL BLENDER

دليل التعليمات  
خلاط شخصي

EN

AR



---

Important information for the user  
معلومات هامة للمستخدم



Recommendations / تحذيرات



Description / الوصف



Use / الإستعمال



Cleaning and care / التنظيف و الصيانة



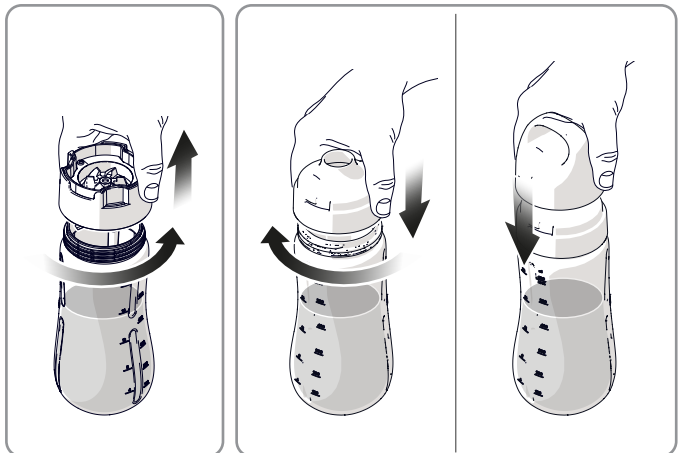
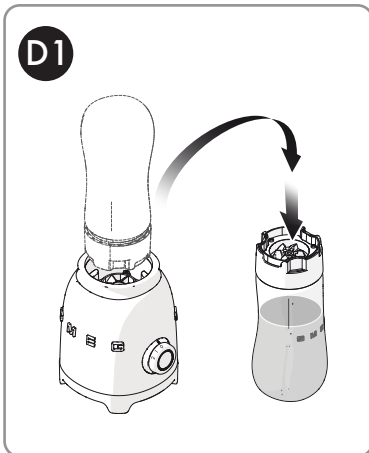
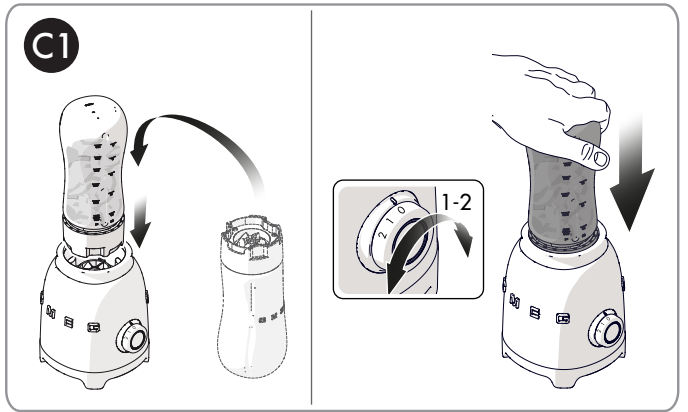
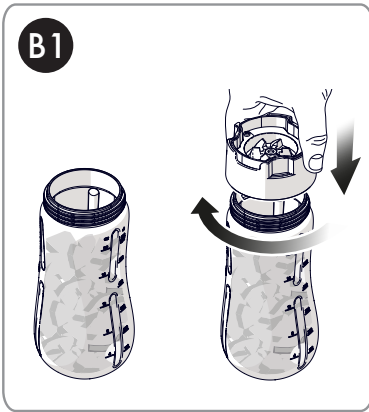
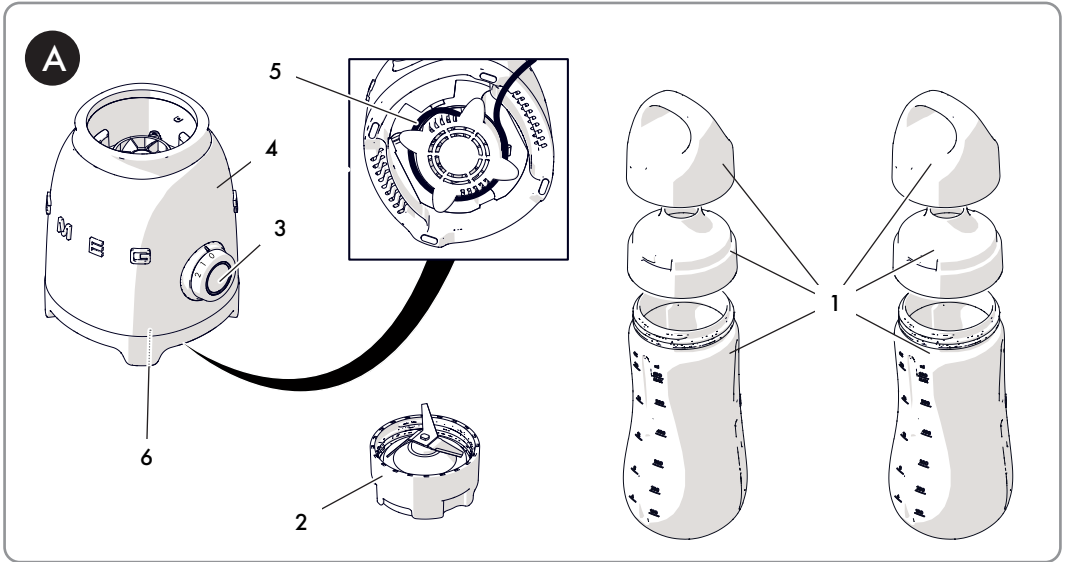
Safety instructions / تحذير للسلامة



Information / معلومات



Advice / اقتراحات



Dear Customer, Thank you for purchasing one of our appliances. Our products are unique because they combine iconic style with innovative technical solutions. They match perfectly with other products in our range and work equally well as a standalone design objects in your kitchen. We hope you enjoy using your new appliance! Best regards.

تحفظ جهة التصنيع بحقها في إجراء أية تغييرات تراها ضرورية لتحسين منتجاتها دون إخطار مسبق. لذا، تعتبر الرسوم التوضيحية والأوصاف الواردة في هذا الدليل غير ملزمة ولكنها إرشادية فقط.

**SMEG S.p.A.**



## 1 Instructions

This user manual is an integral part of the appliance and must therefore be kept in its entirety and in an accessible place for the whole working life of the appliance.

### 1.1 Intended use

- Failure to follow the safety instructions or to read the user manual can lead to the appliance being used improperly and result in personal injury.
- Do not use the appliance for purposes other than those for which it was designed. When used in combination with the bottles, the appliance can be used to chop, mix and emulsify various ingredients for preparing drinks, juices and smoothies.
- The appliance is not designed to operate with external timers or with remote-control systems.
- Only use the appliance indoors.
- This appliance is intended for household use and similar applications such as:
  - in kitchen areas provided for personnel in shops, offices and other work environments;
  - in bed and breakfast and farm accommodation;
  - by guests in hotels, motels and other residential type environments.
- Any other use, for example in restaurants, coffee bars and coffee shops is considered improper.

### 1.2 General safety instructions

Follow all safety instructions in order to use the appliance safely:

- Read this user manual carefully before using the appliance.
- Do not leave the appliance unattended while it is in operation.
- Do not use the appliance when the power cord or the plug is damaged or when the appliance has been dropped or is damaged in any manner.
- If the power cable is damaged, contact technical support immediately to arrange replacement.
- The cable is short to prevent accidents. Do not use an extension cord.
- Ensure the cord does not come into contact with sharp edges.
- Do not pull on the cord to unplug it from the power outlet.
- Do not place the appliance above or near lit stove burners or electric rings, inside an oven or near other heat sources.
- Do not attempt to repair the appliance yourself: in the event of faults, it should only be repaired by a qualified technician.
- Do not modify the appliance.
- Never try to put out a fire or flames with water: turn off the appliance, remove the plug from the outlet and smother the flames with a fire blanket or other appropriate cover.
- Do not touch moving parts while the appliance is in operation. Keep hands, hair and clothing, and utensils away from moving parts during operation, to prevent personal injury and/or damage to the appliance.
- Be careful if hot liquid is poured into the blender as it can be ejected out of the appliance due to sudden steaming.
- Do not allow children to use the blender without supervision.



# Instructions

## 1.3 Caution

- Take care when handling and emptying the bottle and during cleaning.
- Make sure that the bottle and its blade assembly are fixed correctly.
- Do not overfill the bottle (maximum 600 ml).
- The blades are sharp: cutting hazard! Never touch the blades with your hands.
- Take great care when installing, removing and cleaning the blade assembly.
- Do not operate the blender without the bottle mounted.
- Switch off the appliance and disconnect it from the power supply before changing accessories or approaching moving parts when in use.
- Always disconnect the appliance from the power supply when it is not in use, left unattended or faulty.
- Always disconnect the appliance from the power supply before installing and removing the components.
- Always disconnect the appliance from the power supply and let it cool down before cleaning it.
- Make sure that the bottle is securely fastened to the blade assembly before starting the appliance.
- Do not use the blender with parts or accessories of other manufacturers.
- Only use original spare parts. The use of spare parts not approved by the manufacturer could lead to fires, electric shocks or personal injury.
- Only place the blender on level and dry surfaces.
- Do not operate the blender if the bottle is empty.
- Do not use the blender as a storage compartment. Keep the bottle empty when not in use.
- Let hot liquids cool down to room temperature before pouring them into the bottle.
- Do not use harsh detergents or sharp objects to wash or remove residues from the bottle.
- This appliance may not be used by people of reduced physical and mental capacity, or without sufficient experience and knowledge, unless they are supervised or instructed by adults who are responsible for their safety.
- This appliance must not be used by children. Keep the appliance and its cord out of the reach of children.
- Children should be supervised to make sure that they do not play with the appliance.
- Instructions for cleaning of the appliance are provided in section "4 Cleaning and care".
- Be careful if hot liquid is poured into the blender as it can be ejected out of the appliance due to a sudden steaming.



## 1.4 Connecting the appliance

Make sure that the voltage and frequency of the power supply correspond to those indicated on the identification plate on the bottom of the appliance.

If the plug of the appliance is not compatible with the socket, contact Technical Assistance service for replacement.

## 1.5 Manufacturer liability

The manufacturer shall not be liable for injuries or property damage caused by:

- Use of the appliance other than as envisaged;
- Not having read the user manual;
- Tampering with any part of the appliance;
- Use of non-original spare parts;
- Failure to observe the safety instructions.



Please keep these instructions carefully. If the appliance is passed on to others, they should also be given this instructions booklet.

These instructions can be downloaded from the Smeg website "[www.smeg.com](http://www.smeg.com)".

## 1.6 Disposal



This appliance must be disposed of separately from other refuse (Directive 2012/19/EU).

- The appliance does not contain substances in quantities sufficient to be considered hazardous to health and the environment, in accordance with current European directives.
- Old appliances do not belong in household waste! To comply with current legislation, old appliances, on reaching the end of their useful lives, should be taken to a disposal facility where they can be sorted. The relevant local authorities or their waste disposal operators can provide further information.
- Dispose of the packing materials at an appropriate disposal facility.



# Description

## 2 Product description (Fig. A)

- 1) 2 600ml bottles with cap and cover
- 2) Bottle blade assembly
- 3) Control knob
- 4) Motor base
- 5) Built-in cord wrap
- 6) Identification plate

### 2.1 Identification plate

The identification plate bears the technical data, serial number and marking of the appliance. Do not remove the identification plate for any reason.

### 2.2 Description of parts

#### 2 600ml bottles, cap with spout and cover

BPA-free Tritan™ Renew bottles with cap, spout and cover with silicone seal.

#### Bottle blade assembly

Stainless steel blade assembly for preparing delicious smoothies, milkshakes, cocktails etc.



**Sharp blades**

**Danger of cuts**

- Never touch the blades with your hands.



The accessories intended to come into contact with food are made of materials that comply with the provisions of current legislation.

## 3 Use



**Danger of electrocution:**

- Plug into a grounded 3-pin outlet.
- Do not remove the earth pin.
- Do not use an adapter.
- Do not use an extension cord.
- Failure to follow these instructions could result in death, fire, or electrical shock.

### 3.1 Before first use

- Remove all stickers and labels from the blender and clean the motor base with a damp cloth.
- Remove the bottle from the blender.
- Wash and dry thoroughly (see section "4 Cleaning and care").



**Danger of sudden start-up:**

Make sure the blender is unplugged before fitting the bottle.





## 3.2 How to use the bottle (Fig. B1-C1-D1)

- Place the ingredients into the bottle (1), taking care not to exceed the maximum capacity (600ml) (Fig. B1).



Let hot liquids cool down to room temperature before pouring them into the bottle.



For best results, we recommend that you:

- add the hard ingredients first, then the soft ones and then the liquids;
- make sure that the maximum size of the hard ingredients is 1 cm x 1 cm;
- the liquid part should be at least 50% of the solid part;
- only add a maximum of 4 ice cubes (approximately 15g each) in combination with liquid ingredients. DO NOT add them to dry ingredients.

- Secure the blade support (2) to the bottle by turning it clockwise. Make sure that it is fastened tightly (Fig. B1).



### Warning

- Take great care, as the blades and inserts are sharp.

- Place the base of the blender on a flat horizontal surface. Plug it into the power outlet.
- Turn the bottle over (1) and rest it on the motor base (4) (Fig. C1).

- Use the control knob (3) to select the required speed, 1 or 2 according to the result you wish to obtain (Fig. C1).
- Gently press the bottle (1) downwards in order to start the appliance. The LED ring will remain on steadily until the bottle is released (Fig. C1).
- To stop the blender, release the bottle (1). The product stops and the LED turns off.



The blender will not work if the bottle is not positioned correctly.



### Warning

- Do not shake the bottle during operation.



### Important

- The blender can be used for up to 60 seconds at a time. Wait for 60 seconds before using it again.



### Warning

- If the motor stalls, turn off the blender immediately, unplug it from the power outlet and allow it cool down for at least 10 minutes.



## Use

- After blending, and when the blades have stopped rotating, turn the control knob (3) to "0".
- Remove the bottle (1) from motor base (4) and turn it upside down. Rotate the blade assembly (2) counterclockwise to remove it (Fig. D1).
- Screw the cap onto the bottle and insert the cover (Fig. D1).



### Safety lock system

The blender is fitted with a safety lock system that automatically switches off the blender when the bottle is removed. It is also equipped with a motor safety cutout, which trips if the motor becomes overheated.

### 3.3 Suggestions and general advice

- Remove any hard parts from foods to be blended (e.g. cores or stones from fruit, bones from meat etc.).
- Do not allow food residues to dry inside the bottle or on blade assembly for too long, as they could become very difficult to remove. We therefore recommend that you clean them immediately after use (see section "4 Cleaning and care").
- Some foods, such as carrots, may stain the bottle. We therefore recommend that you clean them immediately after use (see section "4 Cleaning and care").



## 4 Cleaning and care



**Improper use. Risk of damage to surfaces:**

- Do not use steam jets to clean the appliance.
- Do not use cleaning products containing chlorine, ammonia or bleach on parts with metallic finishes (e.g. anodized, nickel- or chrome-plated).
- Do not use abrasive or corrosive detergents (e.g. powder products, stain removers and metallic scourers).
- Do not use rough or abrasive materials or sharp metal scrapers.

### 4.1 Cleaning the motor base

To keep the outer surface of the blender motor base in good condition, it should be cleaned regularly after use. Let the appliance cool down first. Use a damp and soft cloth with mild detergent.

### 4.2 Cleaning the components

To make cleaning easier, we recommend that you clean the components immediately after use.

- All components, with the exception of the bottle blade assembly (2), are dishwasher safe.
- Alternatively, wash the components by hand using warm water and neutral detergent.
- Thoroughly dry the components before putting them away.

# What to do if...

## What to do if...

Problem	Cause	Solution
The motor will not start.	The motor has overheated.	Unplug the blender and allow the motor to cool.
	The plug is not properly inserted in the power outlet.	Insert the plug into the power outlet. Do not use adapters or extensions. Check that the house main breaker is on.
	The cable is defective.	Have the cable replaced by an Authorized Service Center.
	No power.	Check that the house main breaker is on.
	The bottle is not screwed on tightly.	Check the positioning of the bottle.
	The motor control is in the zero position.	Select one of the two speeds.
The blender vibrates.	The blender is not resting on a stable surface.	Place the blender on a flat, stable surface.
	The anti-slip rubber feet are worn.	Have them replaced at an Authorized Service Center.
	The speed is too high or the load is excessive.	Set a lower speed and make sure that the bottle has not been overfilled.

# What to do if...

Problem	Cause	Solution
The blender stops during operation and the white LED flashes.	The blades may have jammed.	Unplug and free the blades using a spatula.



If the problem has not been resolved or in the event of another type of fault, contact your local technical support center.

The manufacturer reserves the right to make any changes deemed necessary for the improvement of its products without prior notice. The illustrations and descriptions contained in this manual are therefore not binding and are merely indicative.

عميلنا العزيز، شكرًا لك على شراء أحد أجهزتنا. تعد منتجاتنا فريدة لأنها تجمع بين الأسلوب المميز والحلول التقنية المبتكرة. وهي تتناسب تمامًا مع المنتجات الأخرى في مجموعتنا وتعمل بنفس القدر كتصميمات قائمة بذاتها في مطبخك. نأمل أن تستمتع باستخدام هذا الجهاز الجديد! وتفضلوا بقبول وافر الاحترام والتقدير.