

# Contents

<b>1</b>	<b>Instructions</b>	<b>34</b>
1.1	General safety instructions	34
1.2	Identification plate	37
1.3	Manufacturer liability	38
1.4	Appliance purpose	38
1.5	Disposal	38
1.6	This user manual	39
1.7	How to read the user manual	39
<b>2</b>	<b>Description</b>	<b>40</b>
2.1	General Description	40
2.2	Symbols	40
2.3	Available accessories	41
<b>3</b>	<b>Use</b>	<b>42</b>
3.1	Instructions	42
3.2	First use	42
3.3	Using the hob	43
<b>4</b>	<b>Cleaning and maintenance</b>	<b>45</b>
4.1	Instructions	45
4.2	Cleaning the appliance	45
<b>5</b>	<b>Installation</b>	<b>47</b>
5.1	Safety instructions	47
5.2	Section cut from the countertop	47
5.3	Mounting	48
5.4	Fixing brackets	49
5.5	Gas connection	50
5.6	Adaptation to different types of gas	54
5.7	Electrical connection	60
5.8	Instructions for the installer	61

## TRANSLATION OF THE ORIGINAL INSTRUCTIONS

These instructions apply only to the destination countries listed on the appliance's data plate.

This is a class 3 built-in hob.

We advise you to read this manual carefully, as it contains all the instructions for maintaining the appliance's aesthetic and functional qualities.

For further information on the product: [www.smeg.com](http://www.smeg.com)



## 1 Instructions

### 1.1 General safety instructions

#### Risk of personal injury

- During use the appliance and its accessible parts become very hot. Never touch the heating elements during use.
- Protect your hands by wearing oven gloves when moving food inside the oven.
- Never try to put out a fire or flames with water: turn off the appliance and smother the flames with a fire blanket or other appropriate cover.
- This appliance may be used by children aged at least 8 and by people of reduced physical, sensory or mental capacity, or lacking in experience in the use of electrical appliances, provided that they are supervised or instructed by adults who are responsible for their safety.
- Children must never play with the appliance.
- Keep children under the age of 8 at a safe distance unless they are constantly supervised.
- Keep children under the age of 8 away from the appliance when it is in use.
- Cleaning and maintenance must not be carried out by unsupervised children.
- Make sure that the flame-spreader crowns are correctly positioned in their seats with their respective burner caps.
- Be aware of how rapidly the cooking zones heat up. Do not place empty pans on the heat. Danger of overheating.
- Fats and oils can catch fire if they overheat. Do not leave the appliance unattended while preparing foods containing oils or fats. If fats or oils catch fire, never put water on them. Place the lid on the pan and turn off the relevant cooking zone.
- Cooking process should always be kept under control. A short cooking process must be continuously surveyed.



- While cooking do not place metal objects, such as cutlery or dishes on the hob surface as they may overheat.
- Do not insert pointed metal objects (cutlery or utensils) into the slots in the appliance.
- Do not pour water directly on very hot trays.
- Do not use aerosols in the vicinity of this appliance whilst it is in use.
- Switch off the appliance after use.
- Do not modify this appliance.
- Do not try to repair the appliance yourself or without the intervention of a qualified technician.
- Do not pull the cable to remove the plug.
- If the power supply cable is damaged, contact technical support immediately and they will replace it.
- Never leave the appliance unattended during cooking operations where fats or oils could overheat and take fire. Be very careful.
- Never leave objects on the cooking surface.
- Do not use the appliance to heat rooms for any reason.
- Do not spray any spray products near the oven.
- Do not use plastic cookware or containers for cooking.
- Cooking vessels or griddle plates should be placed inside the perimeter of the hob.
- All pans must have smooth, flat bottoms.
- If any liquid does boil over or spill, remove the excess from the hob.
- Take care not to spill acid substances such as lemon juice or vinegar on the hob.

## **Risk of damaging the appliance**

- Do not use abrasive or corrosive detergents (e.g. scouring powders, stain removers and metallic sponges) on glass parts.
- Use wooden or plastic utensils.
- Do not sit on the appliance.
- Do not use steam jets to clean the appliance.
- Do not obstruct ventilation openings and heat dispersal slots.
- Do not put empty pans or frying pans on switched on cooking zones.
- Do not use steam jets to clean the appliance.
- Do not use rough or abrasive materials or sharp metal scrapers.



## Instructions

- Do not use cleaning products containing chlorine, ammonia or bleach on parts made of steel or that have metallic surface finishes (e.g. anodizing, nickel- or chromium-plating).
- Do not use abrasive or corrosive detergents (e.g. scouring powders, stain removers and metallic sponges) on glass parts.
- Do not wash the removable components such as the hob grids, flame-spreader crowns and burner caps in a dishwasher.

### Installation

- This appliance **must not be installed** in a boat or caravan.
- This appliance must not be installed on a pedestal.
- Position the appliance into the cabinet cut-out with the help of a second person.
- To prevent any possible overheating, the appliance should not be installed behind a decoration door or a panel.
- Before any operation on the appliance (installation, maintenance, positioning or movement) always wear PPM.
- Before performing any operation on the appliance, switch off the power supply.
- Have qualified personnel carry out installation and assistance interventions according to the standards in force.
- Have the gas connection performed by authorised staff.



- Installation using a hose must be carried out so that the length of the hose does not exceed 2 metres when fully extended for steel hoses and 1.5 metres for rubber hoses.
- The hoses should not come into contact with moving parts and should not be crushed in any way.
- If required, use a pressure regulator that complies with current regulations.
- After carrying out any operation, check that the tightening torque of gas connections is between 10 Nm and 15 Nm.
- At the end of the installation, check for any leaks with a soapy solution, never with a flame.
- Have the electrical connection performed by authorised technicians.
- The appliance must be connected to ground in compliance with electrical system safety standards.
- Use cables withstanding a temperature of at least 90°C.
- The tightening torque of the screws of the terminal board leads must be 1.5 - 2 Nm.
- If it is necessary to replace the power cable, this must only be performed by a qualified technician.

## For this appliance

- The glass ceramic surface is highly resistant to impacts. However, avoid hard, solid objects falling on the cooking surface as they may cause it to break if they are sharp.
- The glass ceramic cooking surface must not be used as a surface for placing objects.
- If cracks or fissures form, or if the glass ceramic cooking surface breaks, turn off the appliance immediately. Disconnect the power supply and call Technical Support.

## 1.2 Identification plate

The identification plate bears the technical data, serial number and brand name of the appliance. Do not remove the identification plate for any reason.



## Instructions

### 1.3 Manufacturer liability

The manufacturer declines all liability for damage to persons or property caused by:

- use of the appliance other than that specified;
- failure to comply with the instructions in the user manual;
- tampering with any part of the appliance;
- use of non-original spare parts.

### 1.4 Appliance purpose

- This appliance is intended for cooking food in the home environment. Every other use is considered inappropriate.
- The appliance is not designed to operate with external timers or with remote-control systems.

### 1.5 Disposal



This appliance must be disposed of separately from other waste (Directives 2002/95/EC, 2002/96/EC, 2003/108/EC).

The appliance does not contain substances in quantities sufficient to be considered hazardous to health and the environment, in accordance with current European directives.

To dispose of the appliance:

- Cut the power supply cable and remove it along with the plug.



**Power voltage**

**Danger of electrocution**

- Disconnect the mains power supply.
- Unplug the appliance.
- Deliver the appliance to the appropriate recycling centre for electrical and electronic equipment waste, or return it to the retailer when purchasing an equivalent product, on a one for one basis.



Our appliances are packaged in non-polluting and recyclable materials.

- Deliver the packing materials to the appropriate recycling centre.



## Plastic packaging Danger of suffocation

- Do not leave the packaging or any part of it unattended.
- Do not let children play with the plastic bags.

## 1.6 This user manual

This user manual is an integral part of the appliance and must therefore be kept in its entirety and within the user's reach for the whole working life of the appliance.

Read this user manual carefully before using the appliance.

## 1.7 How to read the user manual

This user manual uses the following reading conventions:

### Instructions



General information on this user manual, on safety and final disposal.

### Description



Description of the appliance and its accessories.

### Use



Information on the use of the appliance and its accessories.

### Cleaning and maintenance



Information for proper cleaning and maintenance of the appliance.

### Installation



Information for the qualified technician: Installation, operation and inspection.



Safety instructions



Information



Advice

1. Sequence of instructions for use.

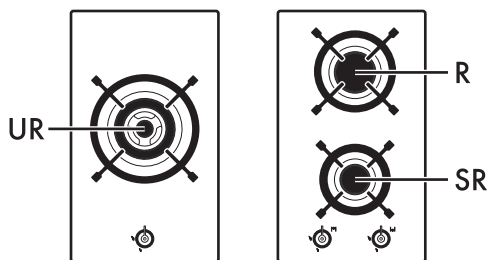
- Standalone instruction.



# Description

## 2 Description

### 2.1 General Description



30 cm

SR = Semi-rapid

R = Rapid





UR = Ultra rapid

### 2.2 Symbols

#### Cooking zones

- | ○ | Rear central
- | ○ | Front central

#### Burner knobs

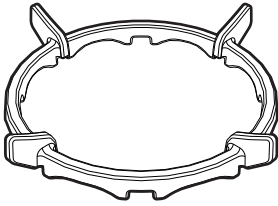
Used for lighting and adjusting the hob burners. Press and turn the knobs anti-clockwise to  in order to light the relative burners. Turn the knobs to the zone between the maximum  and minimum  setting to adjust the flame. Return the knobs to the position  to turn off the burners.





## 2.3 Available accessories

### WOK ring



Useful when using a wok.

**i** The accessories intended to come into contact with food are made of materials that comply with the provisions of current legislation.

**i** Original supplied and optional accessories can be requested to Authorised Assistance Centres. Use only original accessories supplied by the manufacturer.



## 3 Use

### 3.1 Instructions



#### Improper use Danger of burns

- Make sure that the flame-spreader crowns are correctly positioned in their seats with their respective burner caps.
- Oils and fats could catch fire if overheated. Be very careful.
- Do not leave the appliance unattended during cooking operations where fats or oils could be released.
- Do not spray any spray product near the appliance.
- Do not touch the appliance's heating elements when it is running. Leave them to cool before cleaning.
- Keep children under the age of 8 away from the appliance when it is in use.



#### Improper use Risk of damage to surfaces


- Do not use aluminium foil to cover the burners or hob body.
- Cooking vessels or griddle plates should be placed inside the perimeter of the hob.
- All pans must have smooth, flat bottoms.
- If any liquid does boil over or spill, remove the excess from the hob.

### 3.2 First use

1. Remove any protective film from the outside or inside of the appliance, including accessories.
2. Remove any labels (apart from the technical data plate) from accessories.
3. Remove and wash all the appliance's accessories (see 4 Cleaning and maintenance).




### 3.3 Using the hob

All the appliance's control and monitoring devices are located together on the front panel. The burner controlled by each knob is shown next to the knob. The appliance is equipped with an electronic ignition device. Simply press the knob and turn it anti-clockwise to the maximum flame symbol, until the burner ignites. If the burner does not light in the first 15 seconds, turn the knob to  and wait 60 seconds before trying again. After lighting, keep the knob pressed in for a few seconds to allow the thermocouple to heat up.

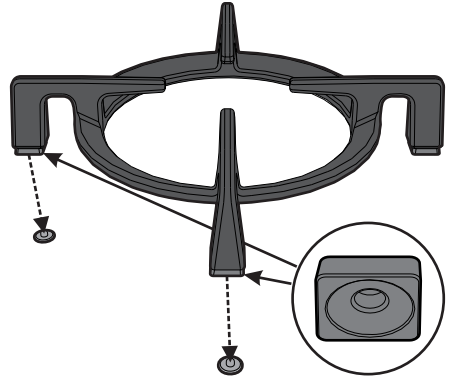
The burner may go out when the knob is released: In this case, the thermocouple has not heated up sufficiently. Wait a few moments and repeat the operation. Keep the knob pressed in longer.



In case of an accidental switching off, a safety device will be tripped, cutting off the gas supply, even if the gas cock is open. Return the knob to  and wait at least 60 seconds before lighting it again.

### Correct positioning of the grids

Under the grids there are silicone rests with a hole that must be centred onto the matching fixing pins on the surface.



Make sure that the grids are simply centred on their respective burners, without forcing the burners to be raised or tilted. If they are, repeat the positioning procedure.

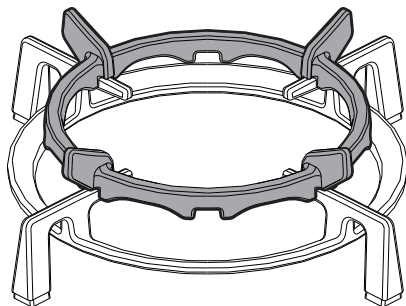
If you find that a pan is particularly unstable, make sure that the grids have not been positioned incorrectly.



## Use

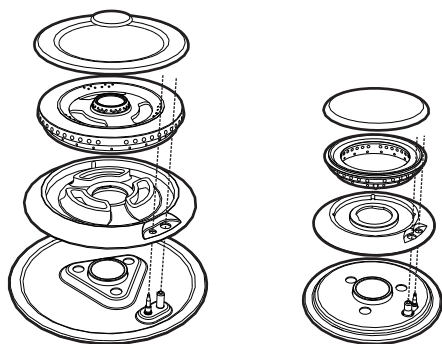
### Ring reducers

The ring reducers must be rested on the hob grid. Make sure they are properly positioned.



### Correct positioning of the flame-spreader crowns and burner caps

Before lighting the hob burners, make sure that the flame-spreader crowns are correctly positioned in their seats with their respective burner caps. Make sure that the holes in the burners are aligned with the igniters and thermocouples. Also ensure that the flame-spreader crowns are correctly engaged in the burner holes.



### Practical tips for using the hob

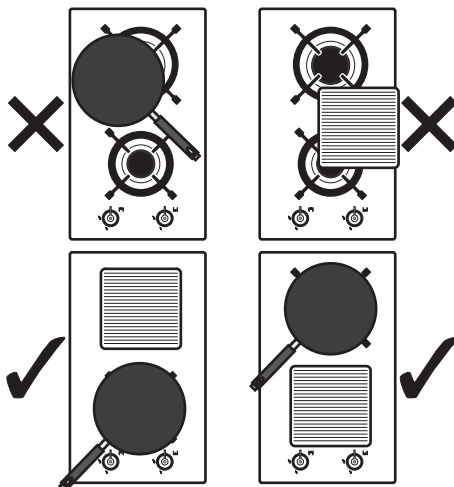
For better burner efficiency and to minimise gas consumption, use pans with lids and of suitable size for the burner, so that the flames do not reach up the sides of the pan. Once the contents come to the boil, turn down the flame far enough to ensure that the liquid does not boil over.



Cookware diameters:

- **SR:** 10 - 24 cm.
- **R:** 12 - 24 cm.
- **UR:** 12 - 26 cm

To prevent burns or damage to the hob or the counter top during cooking, all pans or griddles (not supplied) must be placed inside the perimeter of the hob.





## 4 Cleaning and maintenance

### 4.1 Instructions



**Improper use**  
**Risk of damage to surfaces**

- Do not use steam jets to clean the appliance.
- Do not use cleaning products containing chlorine, ammonia or bleach on parts made of steel or that have metallic surface finishes (e.g. anodizing, nickel- or chromium-plating).
- Do not use abrasive or corrosive detergents (e.g. scouring powders, stain removers and metallic sponges) on glass parts.
- Do not use rough or abrasive materials or sharp metal scrapers.
- Do not wash the removable components such as the hob grids, flame-spreader crowns and burner caps in a dishwasher.

### 4.2 Cleaning the appliance

To keep the surfaces in good condition, they should be cleaned regularly after use. Let them cool first.

#### Ordinary daily cleaning

Always use specific products only that do not contain abrasives or chlorine-based acids.

Pour the product onto a damp cloth and wipe the surface, rinse thoroughly and dry with a soft cloth or a microfibre cloth.

#### Food stains or residues

Do not use steel sponges and sharp scrapers, as they will damage the surfaces.

Use normal, non-abrasive products and a wooden or plastic tool, if necessary. Rinse thoroughly and dry with a soft cloth or a microfibre cloth.

Do not allow residues of sugary foods (such as jam) to set inside the appliance. If left to set for too long, they might damage the enamel lining of the appliance.



## Cleaning and maintenance

### Cooking hob grids

Remove the grids and clean them in lukewarm water and non-abrasive detergent. Make sure to remove any encrustations. Dry them thoroughly and return them to the hob.

**i**

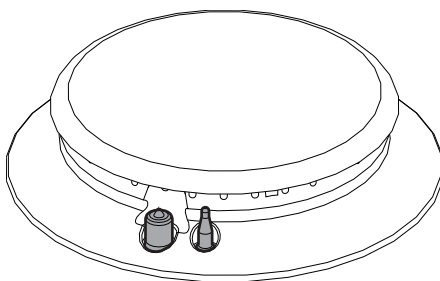
The continuous contact between the grids and the flame can cause modifications to the enamel over time in those parts exposed to heat. This is a completely natural phenomenon which has no effect on the operation of this component.

### Flame-spreader crowns and burner caps

For easier cleaning, the flame-spreader crowns and the burner caps can be removed. Wash them in hot water and non-abrasive detergent. Carefully remove any encrustation, then wait until they are perfectly dry. Refit the flame-spreader crowns making sure that they are correctly positioned in their housings with their respective burner caps.

### Igniters and thermocouples

For correct operation the igniters and thermocouples must always be perfectly clean. Check them frequently and clean them with a damp cloth if necessary. Remove any dry residues with a wooden toothpick or a needle.





## 5 Installation

### 5.1 Safety instructions



**Heat production during appliance operation**  
**Risk of fire**

- Make sure that the cabinet material is heat resistant.
- Check that the cabinet has the required slots.

Veneers, adhesives or plastic coatings on adjacent furniture should be temperature-resistant ( $>90^{\circ}\text{C}$ ), otherwise they might warp over time.



The minimum clearance between a ventilation hood and the cooking surface must be at least the distance indicated in the ventilation hood installation instructions.

The minimum clearances must also be respected for the edges of the hob on the back as indicated in the mounting illustrations.

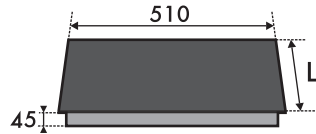
### 5.2 Section cut from the countertop



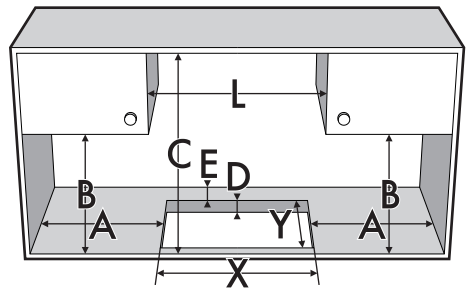
The following operation requires building and/or carpentry work and must therefore be carried out by a competent tradesman.

Installation can be carried out on various materials such as masonry, metal, solid wood or plastic laminated wood as long as they are heat resistant ( $>90^{\circ}\text{C}$ ).

Create an opening with the dimensions shown in the figure (mm) in the countertop of the piece of furniture.



L	X	Y
300	252 - 256	478 - 482



A	B	C	D	E
min. 150	min. 460	min. 750	40÷60	min. 50



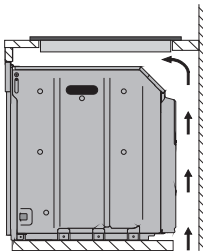
# Installation

## 5.3 Mounting

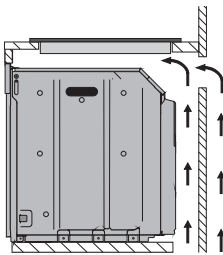
### Over built-in oven unit

The clearance between the hob and the kitchen furniture or other installed appliances must be enough to ensure sufficient ventilation and air discharge.

If installed above an oven, a space must be left between the bottom of the hob and the top of the appliance installed below.



opens on bottom



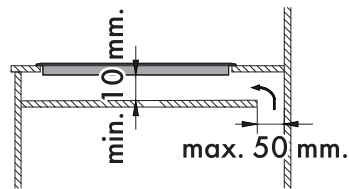
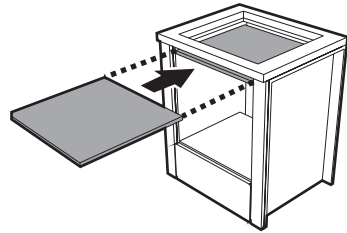
opens on bottom and on rear



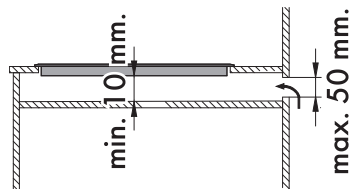
If installed on top of an oven, the latter must be equipped with a cooling fan.

### Over empty kitchen unit or drawers

If there are other pieces of furniture (lateral walls, drawers, etc.), dishwashers or fridges under the hob, a double-layer wooden base must be installed at least **10 mm** from the bottom of the hob to avoid any accidental contact. It must only be possible to remove the double-layer base using suitable equipment.



opens on bottom



opens on rear



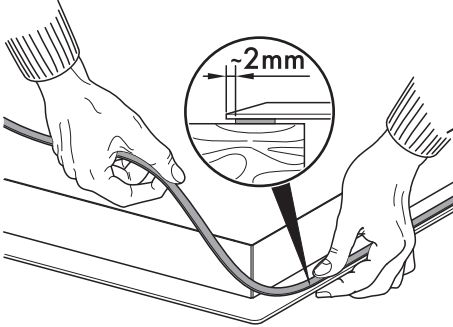
Failure to install the double-layer wooden base exposes the user to possible accidental contact with sharp or hot parts.





## Hob seal

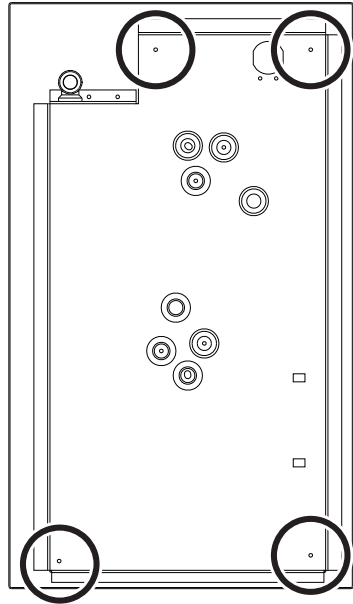
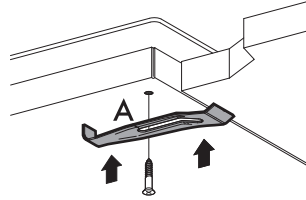
To prevent leakage of liquid between the frame of the hob and the countertop, place the adhesive seal provided along the entire outer edge of the hob before assembly.



Do not use silicone to secure the hob. This would make it impossible to remove the hob, if necessary, without damaging it.

## 5.4 Fixing brackets

Screw the fixing brackets (**A**) into the holes on the sides of the bottom casing to properly fasten the hob to the structure.

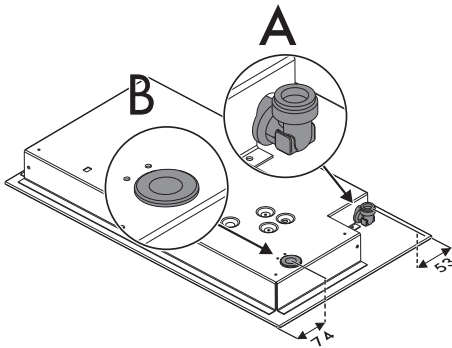


EN



# Installation

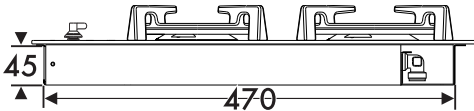
## Gas and electrical connection location



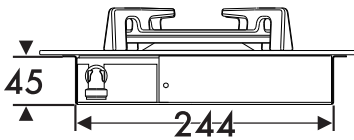
**A** Gas connection

**B** Electrical connection

**Dimensions: expressed in millimetres (mm)**



**Right view**



**Rear view**

## 5.5 Gas connection



**Gas leak  
Danger of explosion**

- After carrying out any operation, check that the tightening torque of gas connections is between 10 Nm and 15 Nm.
- If required, use a pressure regulator that complies with current regulations.
- At the end of the installation, check for any leaks with a soapy solution, never with a flame.
- The hoses should not come into contact with moving parts and should not be crushed in any way.

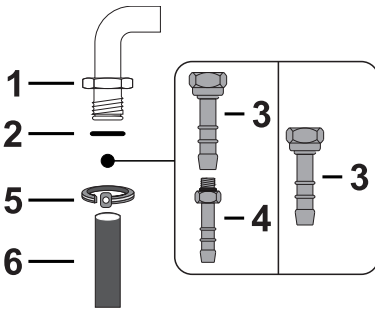
## General information

Connection to the gas mains can be made using a rigid copper pipe or a continuous wall steel hose in compliance with the provisions established by the applicable standard. For supplying it with other types of gas, see chapter "5.6 Adaptation to different types of gas". The gas inlet connection is threaded 1/2" external gas (ISO 228-1).



## Connection with hose connector

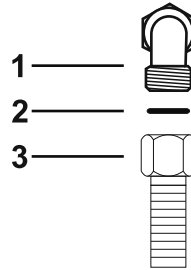
Carefully screw the hose connector **3** to the appliance's gas connector **1** ( $\frac{1}{2}$ " thread ISO 228-1), placing the seal **2** between them. The hose connector reduction **4** can also be screwed to the hose connector **3**, depending on the diameter of the gas hose used. After tightening the hose connector(s), push the gas hose **6** onto the hose connector and secure it with the clamp **5**, which must be compliant with applicable regulations.



## Connection with a steel hose

Make the connection to the gas mains using a continuous wall steel hose whose specifications comply with the applicable standard.

Carefully screw the connector **3** to the gas connector **1** of the appliance, placing the seal **2** between them.



Connection using a rubber hose complying with current standards is only permitted if the hose can be inspected along its entire length.



The inside diameter of the hose must be 8 mm for LPG and 13 mm for Natural gas and Town gas.

The gasket is necessary to avoid gas leaks. At the end of the installation, check for any leaks with a soapy solution, never with a flame.

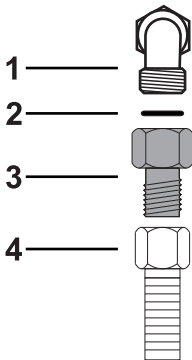


# Installation

## Connection with a steel hose with conical fitting

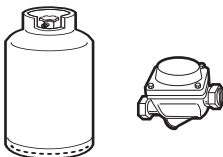
Make the connection to the gas mains using a continuous wall steel hose whose specifications comply with the applicable standard.

Carefully screw the hose connector **3** to the appliance's gas connector **1** ( $\frac{1}{2}$ " thread ISO 228-1), placing the supplied seal **2** between them. Apply insulating material ( $\frac{1}{2}$ " ISO 7.1) to the thread of connector **3**, then tighten the steel hose **4** to the connector **3**.



## Connection to LPG

Use a pressure regulator and make the connection on the gas cylinder following the guidelines set out in the standards in force.



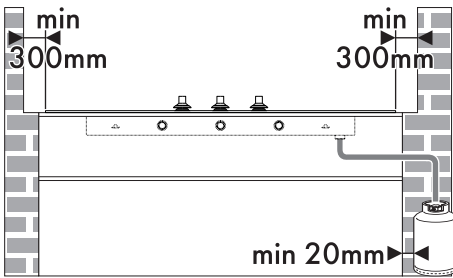
The supply pressure must comply with the values indicated in the table "Burner and nozzle specifications tables".

## Gas cylinder compartment

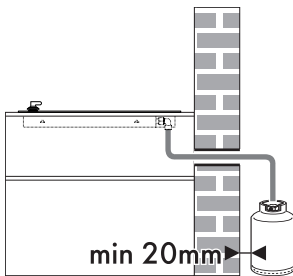
- The opening and interior of the compartment must correspond to the dimensions of the largest cylinders (fitted with regulator) and must have dimensions that allow easy introduction and removal of the cylinder.
- It must be easy to insert and remove the cylinder complete with regulator.
- The compartment must ensure sufficient ventilation from the openings both at the base and in the upper part.
- The cylinder compartment ventilation openings must not be obstructed.
- The cylinder compartment must not communicate directly with the parts of the appliance where the burners are installed.
- The cylinder support must not deform when loaded with a full cylinder. Cylinders must not be placed directly on the floor.
- The cylinder connection point and cock must be easily accessible.
- Spills from recipients placed on the hob must not fall directly on the cylinder or its accessories.
- The hose must not come into contact with sharp edges.



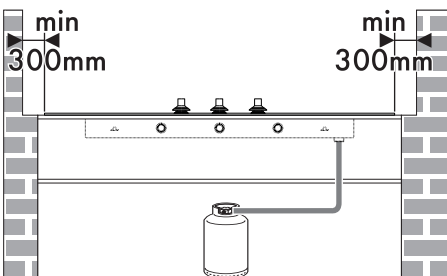
## Cylinder positioning



Example of cylinder positioned to side



Example of cylinder positioned to rear



Example of cylinder positioned under non-flammable panel

## Room ventilation

The appliance should be installed in rooms that have a permanent air supply in accordance with the standards in force. The room where the appliance is installed must have enough air flow for the regular combustion of gas and the necessary air change in the room itself. The air vents, protected by grilles, must be the right size to comply with current regulations and positioned so that no part of them is obstructed, not even partially.

The room must be kept adequately ventilated in order to eliminate the heat and humidity produced by cooking: In particular, after prolonged use, you are recommended to open a window or to increase the speed of fans.

## Extraction of the combustion products

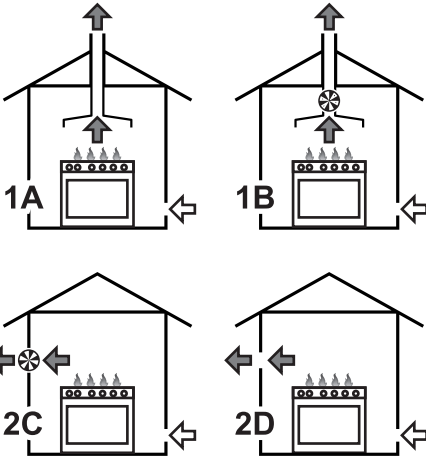
The combustion products may be extracted by means of hoods connected to a natural draught chimney whose efficiency is certain or via forced extraction.

An efficient extraction system requires precision planning by a specialist qualified in this area and must comply with the positions and clearances indicated by the applicable standards.



# Installation

When the job is complete, the installer must issue a certificate of conformity.



- 1 Extraction using a hood
- 2 Extraction without a hood
- A Single natural draught chimney
- B Single chimney with extractor fan
- C Directly outdoors with wall- or window-mounted extractor fan
- D Directly outdoors through wall

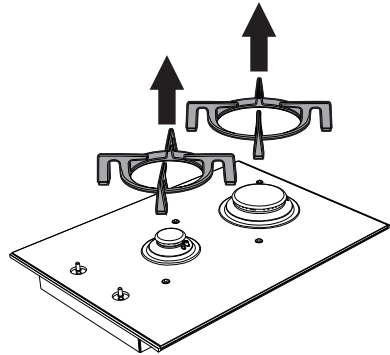
- Air
- Combustion products
- Extractor fan

## 5.6 Adaptation to different types of gas

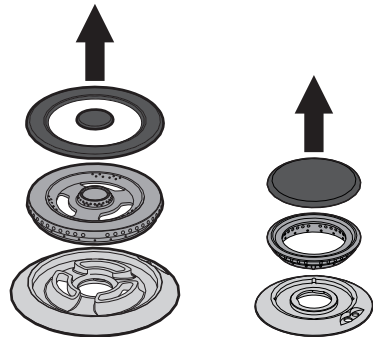
If other types of gas are to be used, the nozzles must be replaced and the primary air must be adjusted. In order to replace the nozzles and adjust the burners, the hob top must be removed.

### Removing the hob top

1. Remove the grids from the hob.

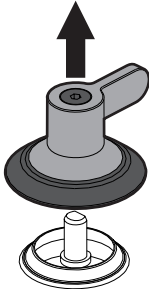


2. Remove the flame-spreader crowns and relative burner caps.

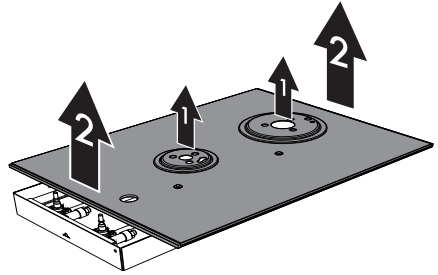




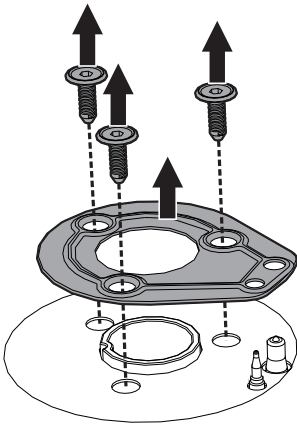
3. Pull the knobs upwards to remove them.



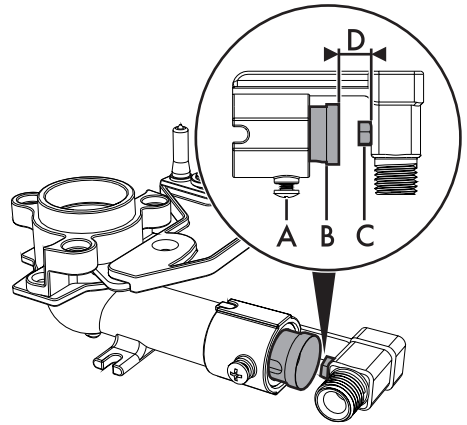
6. Remove the fastening plates (1) and the hob top (2).



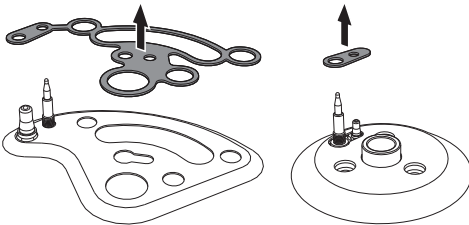
4. Remove the screws fastening the hob and the plates corresponding to each burner zone.



## Replacing nozzles



5. Remove the plates of the igniters and thermocouples.



1. Unscrew screw **A** and push air regulator **B** as far as it will go.
2. Use a spanner to remove the nozzles **C** and install the new ones for the required gas supply, following the indications given in the relevant table (see "Burner and nozzle specifications tables").



The nozzle tightening torque must be no more than 3 Nm.



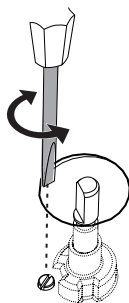
# Installation

- Adjust the air flow by moving the air regulator **B** to obtain the distance **D** given in the corresponding table (see "Burner and nozzle specifications tables").
- After adjusting each burner, reassemble the appliance correctly.

## Adjusting the minimum setting for natural or town gas

Light the burner and turn it to the minimum position. Extract the gas cock knob and turn the adjustment screw next to the tap rod (depending on the model) until the correct minimum flame is achieved.

Refit the knob and verify that the burner flame is stable. Turn the knob rapidly from the maximum to the minimum setting: The flame should not go out. Repeat the operation on all gas cocks.



## Adjusting the minimum setting for LPG

Tighten the screw located at the side of the cock rod clockwise all the way.



Following adjustment to a gas other than the one originally set in the factory, replace the gas setting label on the appliance with the one corresponding to the new gas. The label is inserted inside the nozzle pack (where present).

## Lubricating the gas cocks

Over time the gas cocks may become difficult to turn and get blocked. Clean them internally and replace the lubrication grease.



Lubrication of the gas cocks should be performed by a specialised technician.





## Gas types and Countries

Gas types	IT	GB-IE	FR-BE	DE	AT	NL	ES	PT	SE	RU	DK	PL	HU
<b>1 Natural gas G20</b>													
G20 20 mbar	•	•		•	•		•	•	•	•	•		
G20/25 20/25 mbar			•										
<b>2 Natural gas G20</b>													
G20 25 mbar													•
<b>3 Natural gas G25</b>													
G25 25 mbar						•							
<b>4 Natural gas G25.1</b>													
G25.1 25 mbar													•
<b>5 Natural gas G25</b>													
G25 20 mbar				•									
<b>6 Natural gas G27</b>													
G27 20 mbar												•	
<b>7 Natural gas G2.350</b>													
G2.350 13 mbar													•
<b>8 LPG G30/31</b>													
G30/31 28/37 mbar		•	•				•			•			
G30/31 30/37 mbar	•							•					
G30/31 30/30 mbar						•			•		•		
<b>9 LPG G30/31</b>													
G30/31 37 mbar												•	
<b>10 LPG G30/31</b>													
G30/31 50 mbar				•	•								
<b>11 Town gas G110</b>													
G110 8 mbar	•								•		•		
<b>12 Town gas G120</b>													
G120 8 mbar									•				

EN



It is possible to identify the available gas types based on the country the appliance is to be installed in. Refer to the heading number to identify the correct values in the "Burner and nozzle specifications tables".



# Installation

## Burner and nozzle specifications tables

1	Natural gas G20 – 20 mbar	SR	R	UR
	Rated heating capacity (kW)	1.7	3.1	6.0
	Nozzle diameter (1/100 mm)	92	126	175
	Reduced flow rate (W)	500	900	1800
	Primary air (mm)	1	1	1
2	Natural gas G20 – 25 mbar	SR	R	UR
	Rated heating capacity (kW)	1.7	3.1	5.7
	Nozzle diameter (1/100 mm)	87	120	160
	Reduced flow rate (W)	500	900	1800
	Primary air (mm)	1	1	1
3	Natural Gas G25 – 25 mbar	SR	R	UR
	Rated heating capacity (kW)	1.7	3.1	6.0
	Nozzle diameter (1/100 mm)	95	130	185
	Reduced flow rate (W)	500	900	1800
	Primary air (mm)	1	1	0.5
4	Natural gas G25.1 – 25 mbar	SR	R	UR
	Rated heating capacity (kW)	1.7	3.1	5.9
	Nozzle diameter (1/100 mm)	98	135	190
	Reduced flow rate (W)	500	900	1800
	Primary air (mm)	1	1	0.5
5	Natural Gas G25 – 20 mbar	SR	R	UR
	Rated heating capacity (kW)	1.7	3.1	6.0
	Nozzle diameter (1/100 mm)	100	140	200
	Reduced flow rate (W)	500	900	1800
	Primary air (mm)	1	1	0.5
6	Natural Gas G27 – 20 mbar	SR	R	UR
	Rated heating capacity (kW)	1.7	3.1	5.8
	Nozzle diameter (1/100 mm)	105	145	200
	Reduced flow rate (W)	500	900	1800
	Primary air (mm)	1	0.5	0.5
7	Natural gas G2.350 – 13 mbar	SR	R	UR
	Rated heating capacity (kW)	1.7	3.1	6.0
	Nozzle diameter (1/100 mm)	126	175	280
	Reduced flow rate (W)	500	900	1800
	Primary air (mm)	1	1	3

# Installation



EN

8 LPG G30/31 – 30/37 mbar		SR	R	UR
	Rated heating capacity (kW)	1.7	3.1	6.0
	Nozzle diameter (1/100 mm)	62	85	115
	Reduced flow rate (W)	500	1100	1800
	Primary air (mm)	2	2	12
	Rated flow rate G30 (g/h)	124	225	436
	Rated flow rate G31 (g/h)	121	221	429
9 LPG G30/31 – 37 mbar		SR	R	UR
	Rated heating capacity (kW)	1.7	3.1	6.0
	Nozzle diameter (1/100 mm)	60	80	110
	Reduced flow rate (W)	550	1100	1900
	Primary air (mm)	2	3	6
	Rated flow rate G30 (g/h)	124	225	436
	Rated flow rate G31 (g/h)	121	221	429
10 LPG G30/31 – 50 mbar		SR	R	UR
	Rated heating capacity (kW)	1.7	3.1	6.0
	Nozzle diameter (1/100 mm)	54	76	102
	Reduced flow rate (W)	500	1100	1900
	Primary air (mm)	1	1	2.5
	Rated flow rate G30 (g/h)	124	225	436
	Rated flow rate G31 (g/h)	121	221	429
11 Town gas G110 – 8 mbar		SR	R	UR
	Rated heating capacity (kW)	1.7	3.0	3.8
	Nozzle diameter (1/100 mm)	165	250	310
	Reduced flow rate (W)	500	900	1400
	Primary air (mm)	0.5	1	1
12 Town gas G120 – 8 mbar		SR	R	UR
	Rated heating capacity (kW)	1.7	3.0	4.0
	Nozzle diameter (1/100 mm)	160	230	310
	Reduced flow rate (W)	500	900	1400
	Primary air (mm)	0.5	1	1

The nozzles not provided are available at Authorised Service Centres.



# Installation

## 5.7 Electrical connection



**Power voltage**  
**Danger of electrocution**

- Have the electrical connection performed by authorised technicians.
- Use personal protective equipment.
- The appliance must be connected to ground in compliance with electrical system safety standards.
- Disconnect the mains power supply.
- Do not pull the cable to remove the plug.
- Use cables withstanding a temperature of at least 90°C.
- The tightening torque of the screws of the terminal board leads must be 1.5 - 2 Nm.

### General information

Check the mains characteristics against the data indicated on the plate.

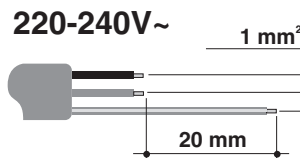
The identification plate bearing the technical data, serial number and brand name is visibly positioned on the appliance.

Do not remove this plate for any reason.

Perform the ground connection using a wire that is 20 mm longer than the other wires.

The appliance can work in the following modes:

- 220-240 V 1N~



Use a **3 x 0.75 mm<sup>2</sup> three-core** cable.



The values indicated above refer to the cross-section of the internal lead.

### Fixed connection

Fit the power line with an omnipolar circuit breaker in compliance with installation regulations.

The circuit breaker should be located near the appliance and in an easily reachable position.

### Connection with plug and socket

Make sure that the plug and socket are of the same type.

Avoid using adapters, gang sockets or extensions as these could cause overheating and a risk of burns.

### Testing

At the end of installation, carry out a brief inspection test. If the hob fails to operate, after checking that you have carried out the instructions correctly, unplug the appliance and contact Technical Support.



## 5.8 Instructions for the installer

- The plug must be accessible after installation. Do not bend or trap the power cable.
- The appliance must be installed according to the installation diagrams.
- Do not try to unscrew or force the threaded elbow of the fitting. You may damage this part of the appliance, which may void the manufacturer's warranty.
- Use soap and water to check for gas leaks on all connections. **DO NOT** use naked flames to find leaks.
- Turn on all the burners separately and at then all together to make sure that the gas valve, burner and ignition are working properly.
- Turn the burner knobs to the minimum position and check that the flame is stable for each individual burner and all the burners together.
- If the appliance does not work correctly after having carried out all the checks, contact your local Authorised Service Centre.
- Once the appliance has been installed, please explain to the user how to use it correctly.

