

**Dear Customer,**

*Thank you for choosing this special edition Smeg – Dolce&Gabbana, Sicily is my love  
small domestic appliance.*

*Smeg and Dolce&Gabbana have combined their artistic talents to create a unique  
collection, made in Italy by Smeg with unmistakable Dolce&Gabbana design touches.*

*We hope you enjoy using your new appliance!*

*Kindest regards,*

*SMEG S.p.A.*

# Contents

<b>1 Instructions</b>	<b>9</b>
1.1 Introduction	9
1.2 This user manual	9
1.3 Intended use	9
1.4 Manufacturer's liability	10
1.5 Identification plate	10
1.6 Disposal	10
<b>2 Description</b>	<b>11</b>
2.1 Product Description	11
<b>3 Use</b>	<b>12</b>
3.1 Before first use	13
3.2 How to assemble the juicer	13
3.3 How to use the juicer	14
<b>4 Cleaning and care</b>	<b>16</b>
4.1 Instructions	16
4.2 Cleaning the motor base	16
4.3 Cleaning the components of the citrus juicer	16

## Important Safeguards

**WARNING:** If the instructions contained in this manual are not followed precisely, fire or explosion may result causing property damage, personal injury or death.



**READ AND SAVE THESE INSTRUCTIONS** - Your safety and the safety of others are very important.

We have provided many important safety messages throughout this manual and on the appliance.

Read all the instructions before using the appliance and always obey all safety messages.



# Important Safeguards



## RECOGNIZE SAFETY INFORMATION

This is a safety alert symbol. This symbol alerts you to potential hazards that can result in severe personal injury or death.

## UNDERSTAND SIGNAL WORDS

A signal word - DANGER, WARNING or CAUTION - is used with the safety alert symbol. DANGER denotes the most serious hazards. It means you could be killed or seriously injured if you do not immediately follow the instructions.

WARNING means you could be killed or seriously injured if the instructions are not followed. CAUTION indicates a potentially hazardous situation, which, if not avoided, could result in minor to moderate injury.

## WARNING



- **This appliance is intended for use in the home only.**
- **Use this appliance only for its intended purpose. The manufacturer cannot be held liable for damage caused by improper use of this appliance.**
- **This appliance complies with current safety regulations. Improper use of this appliance can result in personal injury and material damage.**
- **Read all the instructions before installing or using the appliance for the first time.**
- **Keep these operating instructions in a safe place and pass them on to any future user.**

The safety messages will inform you of potential hazards, on how to avoid the risk of injury and what can occur if the instructions are not followed.

**IMPORTANT: Observe all codes and ordinances in force.**

**WARNING: For your safety, the instructions contained in this manual must be followed to minimize the risk of fire or explosion and to prevent property damage, personal injury or death.**

Do not store or use gasoline or other flammable vapors, liquids or materials near this or any other appliance.



**NOTE:** This appliance is NOT designed for installation in manufactured (mobile) homes or in recreational vehicles (RVs).

**DO NOT install this appliance outdoors.**

# Important Safeguards



## WARNING



To reduce the risk of fire, electrical shock, personal injury, or damage when using the appliance, follow basic safety precautions, including the following:

Follow all safety precautions to ensure safe use of the appliance.

- Before using the appliance, read this user manual carefully.
- Do not use the appliance outdoors.
- Turn off the appliance immediately after use.
- Do not leave the appliance unattended while it is running.
- Unplug the appliance from the electric outlet before cleaning and after each use.
- Do not immerse the appliance, the power cord or plug in water or any other liquid.
- Do not use the appliance if the power cord or plug is damaged or if the appliance has been dropped or damaged in any way.
- Do not let the cord hang over the edge of a table or counter.
- If the power cord is damaged, contact the technical support service to get a replacement and to avoid possible hazards.
- Make sure the power cord does not come in contact with sharp edges.
- Do not pull on the cord to remove the plug from the socket.
- Do not place the appliance on or near switched-on gas or electric burners, inside an oven, or near heat sources.
- Never attempt to repair the appliance yourself or without the help of a qualified technician.
- In case of malfunction, have the appliance repaired by a qualified technician.
- Do not make any changes to the appliance.
- Never try to extinguish a flame/fire with water: turn off the appliance, unplug it from the outlet and cover the flame with a lid or a fire blanket.
- Disconnect the appliance from the wall outlet before assembly, disassembly, cleaning and after each use.
- The appliance may be used by children from 8 years of age provided they are supervised or instructed on the safe use of the appliance and provided they understand the risks involved.
- Cleaning and maintenance can be performed by children from 8 years of age if supervised.
- Children should not play with the appliance. Keep the appliance out of the reach of children.



# Important Safeguards

## For this appliance

- During operation, avoid contact with the moving parts. Keep hands, hair, clothing and tools away from moving parts during operation to prevent injury or damage to the appliance.
- Always unplug the juicer if left unattended, before assembly and disassembly of components and before cleaning.
- Unplug the juicer from the outlet when it is not in operation, before cleaning and in case of malfunction.
- Allow the juicer to cool before cleaning.
- Do not lift, pull or move the juicer by pulling on the cord. Always pick up the juicer by the motor base to move it.
- Do not overfill the juice collector.
- Do not use the juicer for more than 3 consecutive minutes. Danger of the motor overheating!
- Do not use the juicer in combination with parts or accessories from other manufacturers.
- Use only original spare parts from the manufacturer. The use of spare parts not recommended by the manufacturer may cause fire, electric shock or injury to persons.
- Place the juicer only on flat, dry surfaces.
- Before starting up the juicer, make sure that it is properly assembled.
- Avoid spraying liquid onto the juicer's motor base or cord or getting them wet. In case of contact with liquid, immediately unplug the cord from the electrical outlet and dry thoroughly: Risk of electric shock!
- Avoid leaving dry pulp residues on surfaces of the juicer.
- Before use, make sure that the filter and spout are not blocked by pieces of pulp.
- Keep the juicer empty and clean before and after use.
- Do not use the juicer for storing objects.
- Do not use abrasive cleaners or sharp objects to clean or remove residual pulp from the citrus juicer's components.

**SAVE THESE INSTRUCTIONS**

# Important Safeguards



## 1 Instructions

### 1.1 Introduction

Key information for the user:

#### Warnings



General information about the user manual, safety and final disposal.

#### Description



Description of the appliance.

#### Use



Information on using the appliance.

#### Cleaning and care



Information for proper cleaning and maintenance of the appliance.



Safety instructions



Information



Advice

### 1.2 This user manual

This user manual is an integral part of the appliance and must be kept intact and at the user's fingertips throughout its life cycle.

### 1.3 Intended use

- Only use the appliance in indoor spaces.
- The appliance is intended solely for domestic-type use.
- The appliance can be used for juicing citrus fruits (oranges, grapefruits and lemons). Any other use is improper. Do not use the appliance for purposes other than its intended use.
- The appliance may be used:
  - in the employee kitchen areas of shops, offices and other working environments;
  - on farms/farm holiday resorts;
  - by guests in hotels, motels and residential environments;
  - in bed-and-breakfasts.
- The appliance is not designed to work with external timers or remote control systems.
- The use of this appliance is not intended for people (including children) with reduced physical, sensory or mental capabilities or who lack experience and knowledge in using electrical devices, unless they are supervised or instructed by adults responsible for their safety.



# Important Safeguards

## 1.4 Manufacturer's liability

The manufacturer accepts no liability for damage to persons and property caused by:

- using the appliance in ways other than those provided;
- not reading the user manual;
- tampering with any part of the appliance;
- using non-original parts;
- ignoring safety precautions.

## 1.5 Identification plate

The identification plate lists the technical data, serial number and brand name. The identification plate must never be removed.

- The California Safe Drinking Water and Toxic Enforcement Act requires the Governor of California to publish a list of substances known to the State of California to cause cancer, birth defects or other reproductive harm, and requires businesses to warn customers of potential exposure to such substances.



### Warning

- This product contains a chemical known by the State of California to cause cancer, birth defects or other reproductive harm.
- This appliance can cause low-level exposure to some of the substances listed, including benzene, formaldehyde, carbon monoxide, toluene, and soot.

## 1.6 Disposal



### Power voltage Electrocution hazard

- Deactivate the main power supply.
- Unplug the cord from the wall outlet.
- **Old electrical equipment must not be disposed of with household waste!** In accordance with the law in force, electrical appliances at the end of their life should be taken to separate collection facilities for electrical and electronic waste. This way, valuable materials from old appliances can be recycled and the environment can be protected. For more information, please contact your local authorities or recycling center employees.

Note that non-polluting and recyclable materials are used for packaging the appliance.

- Dispose of the packaging materials at appropriate differentiated waste collection centers.



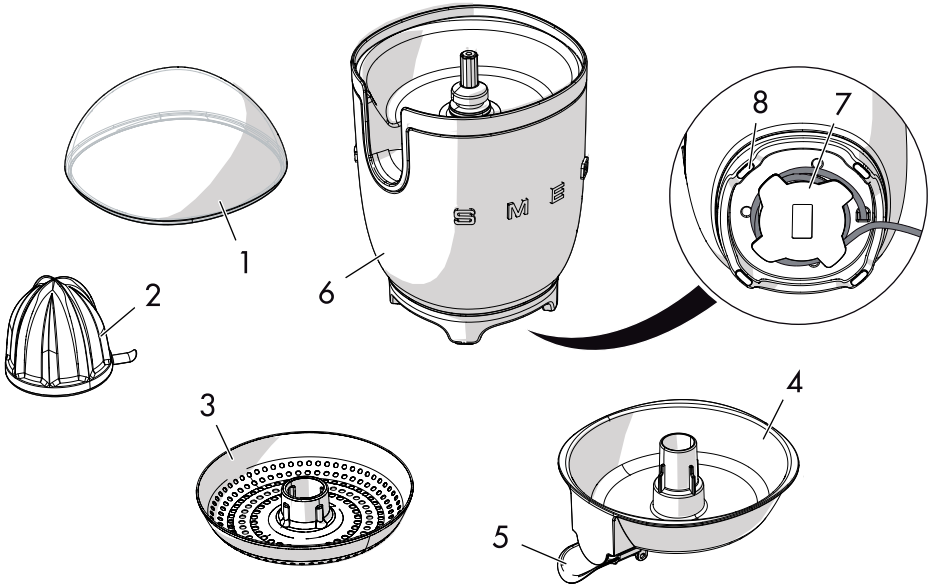
### Plastic packaging Suffocation hazard

- Do not leave the packaging or any part of it unattended.
- Do not allow children to play with the plastic packaging bags.



## 2 Description

### 2.1 Product Description



#### Model CJF01 - Citrus Juicer

- |                                       |                                   |
|---------------------------------------|-----------------------------------|
| 1 BPA-free Tritan™ dust cover         | 5 Stainless steel anti-drip spout |
| 2 Stainless steel reamer              | 6 Die-cast aluminum motor base    |
| 3 Stainless steel filter              | 7 Cord storage                    |
| 4 Juice collector in BPA-free Tritan™ | 8 Non-slip feet                   |



The parts that may come into contact with food are made of materials that comply with all legal provisions in force.





## 3 Use



### Electrical Shock Hazard

- Plug into a grounded 3-prong outlet.
- Do not remove the ground prong.
- Do not use an adapter.
- Do not use an extension cord.
- Failure to follow these instructions can result in death, fire, or electrical shock.

### ***“Citrus juicer US version only”***

Volts: 120 Volts AC only.

Hertz: 60 Hz



Your citrus juicer has a 3-prong grounded plug. To reduce the risk of electrical shock, this plug will fit into an outlet only one way. If the plug does not fit in the outlet, contact a qualified electrician. Do not modify the plug in any way.

- Do not use an extension cord. If the power supply cord is too short, have a qualified electrician or service technician install an outlet near the appliance.
- A short power supply cord (or detachable power supply cord) should be used to reduce the risk resulting from becoming entangled in or tripping over a longer cord.
- Longer detachable power supply cords or extension cords are available and may be used if care is taken when using them.

If a longer detachable power supply cord or extension cord is used:

- The marked electrical rating of the power supply cord or extension cord should be at least as great as the electrical rating of the appliance.
- The cord should be arranged so that it will not hang over the countertop or tabletop where it can be pulled on by children or tripped over unintentionally.
- If the appliance is of the grounded type, the extension cord should be a grounded 3-prong type cord.



### 3.1 Before first use

1. Remove any labels and stickers from the juicer.
2. Wash and thoroughly dry the juicer's components (see "4 Cleaning and care").

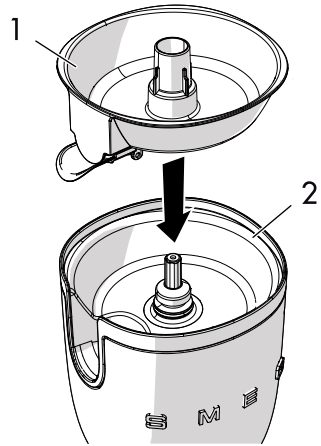


#### Accidental start-up hazard

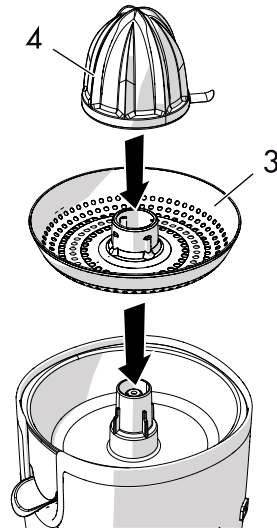
- Make sure that the juicer is unplugged from the electrical outlet before putting on or taking off the citrus juicer's components.

### 3.2 How to assemble the juicer

1. Insert the juice collector (1) into the slot on top of the motor base (2).



2. Insert the filter (3) in the juice collector and then place the reamer (4) on top of the filter.



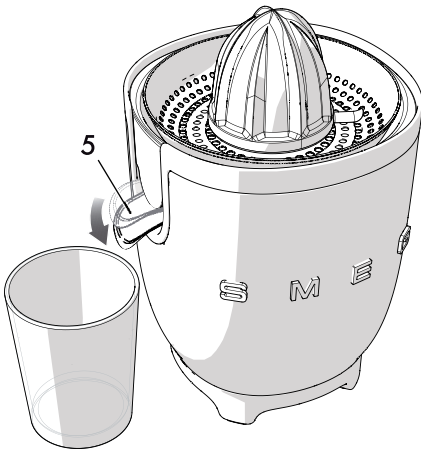


## 3.3 How to use the juicer

1. Cut the citrus fruit in half.

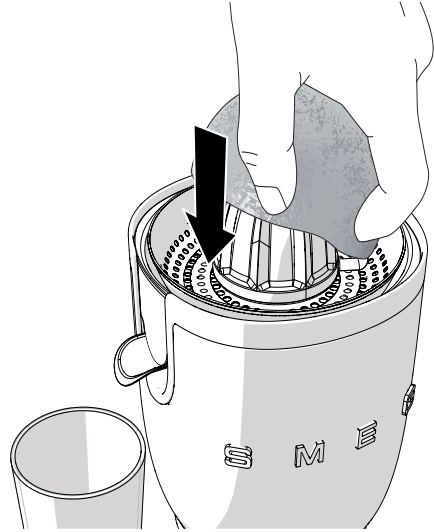


2. Place the juicer on a flat, dry surface.  
3. Open the anti-drip spout (5) by lowering it and place a glass or other container beneath it.

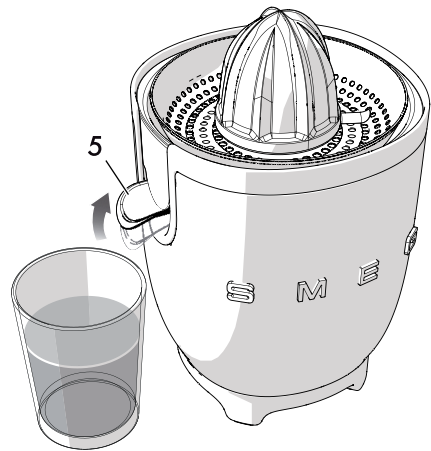


4. Plug the cord into the outlet.

5. Press the citrus half on the reamer, making sure the anti-drip spout is open. The motor will start automatically.



6. Once you have finished juicing, remove the fruit from the reamer to automatically stop the engine and close the anti-drip spout (5).





### Moving parts

#### **Risk of injury or damage to the appliance**

- Do not operate the juicer for more than 3 minutes at a time. Allow it to cool and wait 15 minutes before starting again.
- Do not insert fingers, forks or spoons in the spout. This could cause personal injury or damage the appliance.
- Keep hands, hair, necklaces, ties, spatulas or other objects away from the juicer's reamer and filter to avoid personal injury or damage to the appliance.
- Do not grasp the reamer or the filter with your hands while the juicer is plugged in.



- Do not overfill the juice collector.
- To keep the white and bitter parts of the fruit's peeling from being pressed into the juice, do not push too hard on the reamer.
- Make sure the spout is not blocked.
- Avoid leaving dry pulp residues on the juicer's surfaces.
- Do not use hard or sharp objects to remove pulp to avoid scratching and damaging the filter or the reamer.



## 4 Cleaning and care

### 4.1 Instructions



Misuse

**Electrocution hazard**

- Unplug the citrus juicer before cleaning.
- Do not immerse the motor base in water or other liquids.



Misuse

**Risk of damage to surfaces**

- Do not use steam jets to clean the appliance.
- Do not use cleaning products containing chlorine, ammonia or bleach on parts with metallic surface finishes (e.g. anodizing, nickel- or chromium-plating).
- Do not use abrasive or corrosive detergents (e.g. powder products, stain removers and metal scouring pads).
- Do not use rough or abrasive materials or sharp metal scrapers.

### 4.2 Cleaning the motor base

To maintain the outer surfaces, you must clean them regularly after each use and after letting them cool down. Clean with a soft damp cloth and mild detergent.

### 4.3 Cleaning the components of the citrus juicer

The reamer, cover, the filter and the juice collector can be cleaned in the dishwasher. Thoroughly dry the components, being careful to replace the dust cover when the appliance is not in use.

