

Instructions for Use

Warming Drawer

Notice d'utilisation

Chauffe-vaisselle

Instrucciones de Uso

Cajón calentaplatos

CTU330X



Contents

Safety Information	3
Safety Instructions	5
Precautions during use	6
Appliance Description	7
Main Components	7
How the crockery warmer works.....	7
Use	8
Before using for the first time.....	8
Control Panel.....	8
Using the crockery warmer	8
Selecting function	8
Heating times.....	9
Load capacity	9
Cleaning and Maintenance	10
Appliance front and control panel	10
Interior of the warming drawer	10
What should I do if the warming drawer doesn't work?	11
Technical characteristics	11
Installation instructions	12
Before installation	12
Installation	12
Electrical Connection	12
Installation	35

Dear Customer,


Before going any further, we want to thank you for preferring our product. We are sure that this modern, functional and practical warming drawer, manufactured with top quality materials, will fully meet your expectations.

We ask you to read the instructions in this booklet very carefully as this will allow you to get the best results from using your warming drawer.

KEEP THE DOCUMENTATION OF THIS PRODUCT FOR FUTURE REFERENCE.

Always keep the instruction manual handy. If you lend the warming drawer to someone else give them the manual as well!

Safety Information

 Carefully read the instructions before installing and using the equipment. The manufacturer is not liable for improper installation and use of the equipment that may cause injuries and damage. Always keep the instructions at hand, so they can be easily referred to during use.

IMPORTANT SAFEGUARDS

When using electrical appliances, basic safety precautions should always be followed including the following:

1. Read all instructions.
 2. Do not touch hot surfaces. Use handles or knobs.
 3. To protect against electrical shock do not immerse cord or plugs in water or other liquid.
 4. Close supervision is necessary when any appliance is used by or near children.
 5. Unplug from outlet when not in use and before cleaning. Allow to cool before putting on or taking off parts.
 6. Do not operate any appliance with a damaged cord or plug or after the appliance malfunctions or has been damaged in any manner. Return appliance to the nearest authorized service facility for examination, repair, or adjustment.
 7. The use of accessory attachments not recommended by the appliance manufacturer may cause injuries.
 8. Do not use outdoors .
 9. Do not let cord hang over edge of table, or touch hot surfaces.
 10. Do not place on or near a hot gas or electric burner, or in a heated oven.
 11. Extreme caution must be used when moving an appliance containing hot oil or other hot liquids.
 12. Always attach plug to appliance first, then plug cord into the wall outlet. To disconnect, turn any control to "OFF", then remove plug from wall outlet.
 13. Do not use appliance for other than intended use.
 14. Save these instructions.
- This Warming Drawer is for household use.

Safety Information

Safety of children and vulnerable adults

- ⚠ **WARNING!** Risk of choking, injury or permanent disability.
- This appliance can be used by children aged 8 years and above and persons with reduced physical, sensory or mental capabilities or lack of experience and knowledge if they are given supervision or instructions concerning how to use the appliance in a safe way and understand the hazards involved.
- Children should not play with the appliance.
- Keep packaging materials away from children. **Risk of suffocation!**
- Keep children away from the appliance during operation or when cooling.
- Cleaning and maintenance should not be done by children without supervision.

Warnings on general safety

- During installation, follow the instructions supplied separately.
- Only qualified personnel can install the appliance and replace the cable.
- ⚠ **WARNING:** The appliance and its accessible parts become hot during use. Care should be taken to avoid touching heating elements. Children less than 8 years of age shall be kept away unless continuously supervised.
- During use the appliance becomes hot. Care should be taken to avoid touching heating elements inside the oven.
- ⚠ **WARNING:** Accessible parts may become hot during use. Young children should be kept away.
- Do not use steam cleaners to clean the appliance.
- Do not use abrasive detergents or metal scrapers to clean the appliance.
- The electric connection is made via an omnipolar switch, which is suitable for the intensity to be tolerated and which has a minimum gap of 3mm between its contacts, which will ensure disconnection in case of emergency or when cleaning the crockery warmer. If a plug is used for the electric connection, then it must be accessible after installation.
- The connection should include correct earthing, in compliance with current norms.
- Disconnect the appliance from the power supply before carrying out any maintenance operation.

Safety Instructions

WARNING!

Before connecting the appliance compare the power data (voltage and frequency) indicated on the characteristics plate with those of the power supply in question. If these data do not match there may be problems. In case of doubt, contact an electrician.

WARNING!

If the electrical wire plug is removed, the appliance must be installed and connected by a technician. Contact a qualified electrician who knows and respects current safety standards. The manufacturer cannot be held responsible for damage resulting from fitting or connecting errors.

WARNING!

The electrical safety of the appliance can only be guaranteed if it is earthed. The manufacturer cannot be held responsible for damage resulting from the absence of or defects in the installation's protection system (e.g. electrical shock).

WARNING!

Only use the appliance once it has been fitted into its built-in position. Only in this manner can it be guaranteed that users cannot access the electrical components.

WARNING!

Never open up the appliance's frame. Possible contacts with electrical conducting parts or changes to electrical or mechanical components

may represent a danger to users' safety and prejudice the correct working of the appliance.

WARNING!

Repairs and maintenance, especially of parts carrying electrical current, must only be done by technicians authorised by the manufacturer. The manufacturer and retailers do not accept responsibility for any damaged caused to people, animals or property as a result of repairs and maintenance carried out by non-authorised personnel.

WARNING!

Repairs undertaken during the guarantee period must only be done by technicians authorised by the manufacturer. If this is not the case then any damage resulting from the repair in question is excluded from the guarantee

WARNING!

The appliance must be disconnected from the electrical current when installation and repair work is being done. To disconnect the appliance from the current, one of the following conditions must apply:

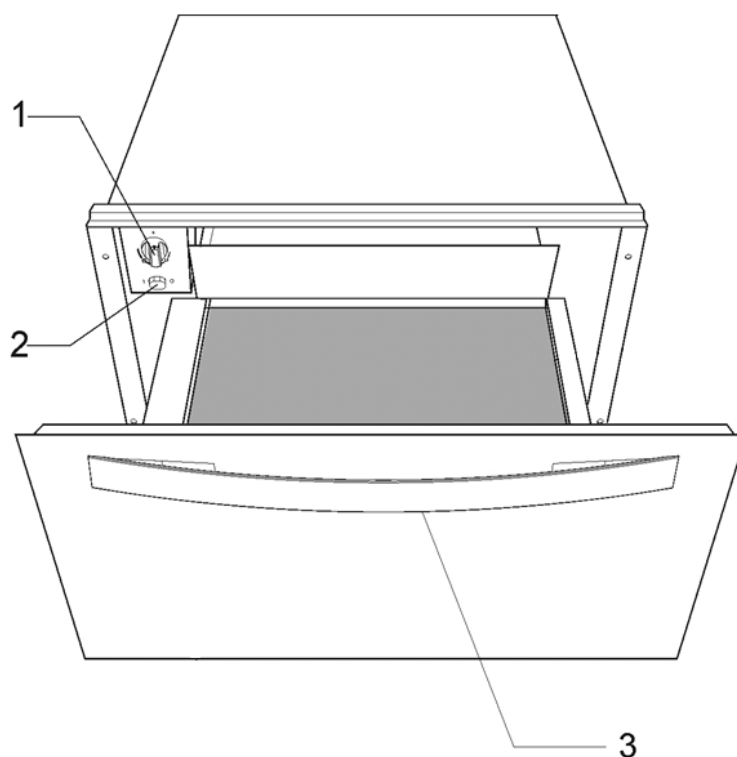
- The switchboard fuses / circuit breakers must be disconnected.
- The plug should be removed from the socket. To remove the plug from the socket do not pull on the electric cable but rather pull out the plug itself directly.

Precautions during use

- This appliance complies with current safety standards. Improper use of the appliance may put the user at risk.
- Read the operating instructions carefully before using the appliance for the first time. In this way you will avoid the risk of injuring yourself or damaging the appliance.
- Depending on the temperature selected and the operating time, the temperature inside the appliance may reach 170°F. To take crockery out of the crockery warmer protect your hands by using oven gloves or an oven cloth.
- Do not sit or hang on the drawer. The telescopic runners will be damaged. The maximum load capacity of the drawer is 50lb.
- Do not store synthetic containers or easily inflammable objects inside the crockery warmer. When you switch on the appliance such containers and objects may melt or catch fire. **Fire danger!**
- Do not use the appliance to heat up the air temperature in the kitchen. The high temperatures reached may cause easily inflammable objects close to the appliance to catch fire.
- Do not use high pressure or steam jet cleaning devices. The steam may affect electrical components and cause a short circuit. The steam pressure may also cause damage to the appliance's surface and components in the long term.
- When you stop using the appliance at the end of its working life, disconnect it from the power supply and render the electrical cable unusable so that the appliance is not a danger if, for example, children use it for playing.

Appliance Description

Main Components



1. On/Off switch (lights up)

2. Function selector

3. Handle

How the crockery warmer works

This appliance is equipped with a warm air circulation system. A fan distributes the heat generated by an electrical heating element throughout the interior of the appliance.

The thermostat allows the user to define and control the temperature wanted for the crockery.

The circulating hot air that is generated heats up the crockery quickly and evenly.

A metal grille protects both the heating element and the fan.

The base of the drawer is fitted with a non-slip mat to prevent plates and dishes sliding around when the drawer is opened and closed.

Before using for the first time

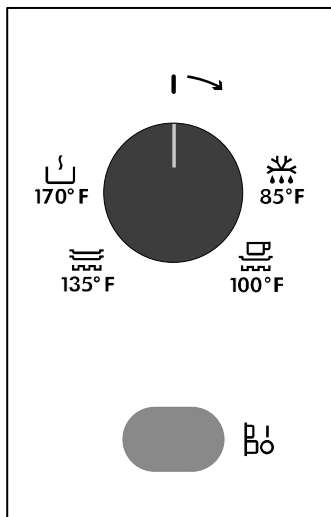
Before using the appliance for the first time you should clean the interior and the exterior, following the cleaning instructions given in the section "Cleaning and Maintenance".

Then heat the warming drawer for at least 2 hours. For this, set the temperature to the maximum position.

Make sure the kitchen is well-ventilated when you are doing this.

The appliance's parts are protected by a special product. For this reason, during the first heating an odour will be released. Both the odour and any smoke that may form will disappear after a short time and neither signifies that there is anything wrong with the connection or the appliance.

Control Panel



The control panel has a function and the on/off switch. The control panel is only visible when the drawer is open.

Using the crockery warmer

To use the crockery warmer, proceed as follows:

- Put the crockery in the drawer.
- Select the function you want by turning the thermostat control to the desired position.
- Switch on the appliance by pressing the switch, which will light up.
- Close the drawer.

Be careful not to use too much force when closing the drawer since it may open up again.

Before taking out the warm crockery you must switch off the crockery warmer by pressing the switch again.

Selecting function

By turning the thermostat control you can select temperatures between 85°F and 170 °F.

Do not force the thermostat control to the left of the "I" position (0 position) or to the right of the maximum position since this may damage the appliance.

As soon as the temperature selected is reached, the heating is turned off. When the temperature drops to a value below that selected, the heating is turned back on.

The temperature scale is not marked with absolute temperatures in °C but instead has symbols which correspond to the optimum temperatures for groups of crockery:

Symbol	°F	Function
	85	Defrosting
	100	Proving dough Cups / glasses warming
	135	Crockery warming
	170	Food warming


Use

Heating times

Various factors affect heating times:

- Material and thickness of the crockery
- Load quantity
- How the crockery is arranged
- Temperature setting

It is therefore not possible to give any precise heating times.

However, as a guide, the following times are given for the thermostat setting  and for uniform heating of the crockery:

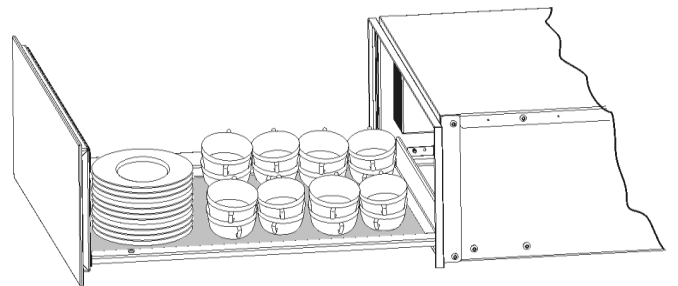
Load	Time (min)
Crockery for 10 people	40 – 45

As you use the crockery warmer more and more you will learn the best settings for your crockery.

Load capacity

Load capacity depends on the size of the crockery items.

Warming Drawer
10 persons servings
10 Dinner Plates
10 Soup Bowls
2 Serving Dishes
2 Meat Plates
or
35 Dinner Plates
or
140 espresso coffee cups
or
70 tea cups
or
...



Cleaning and Maintenance

Cleaning is the only maintenance action that is required normally.

Warning! Cleaning must be done with the warming drawer disconnected from the electrical power supply. Remove the plug from the power socket or disconnect the warming drawer power supply circuit.

Do not use aggressive or abrasive cleaning products, abrasive sponges or pointed objects since stains or abrasion marks may appear.

Do not use high pressure or steam jet cleaning appliances.

Appliance front and control panel

The warming drawer can be cleaned using just a damp cloth. If it is very dirty, add a few drops of washing-up liquid to the washing water.

Wipe the surfaces dry using a dry cloth.

For stainless steel fronted warming drawers, special products for treatment of stainless steel surfaces can be used. These products prevent the surfaces becoming dirty again for some time. Apply a thin layer of such a product on the surface using a soft cloth.

On aluminium fronted warming drawers use a gentle glass cleaning product and a soft cloth that does not release fluff. Wipe horizontally without pressing on the surface since aluminium is sensitive to scratches and cuts.

Interior of the warming drawer

Clean the inside of the warming drawer regularly using a damp cloth. If it is very dirty add a few drops of washing-up liquid to the washing water.

Wipe the surfaces dry using a dry cloth.

Avoid water entering through the air circulation opening.

Only use the warming drawer again when it is completely dry.

What should I do if the warming drawer doesn't work?

WARNING! Any type of repair must only be done by a specialised technician. Any repair done by a person not authorised by the manufacturer is dangerous.

Before contacting Technical Assistance, check on the following:

- **The crockery doesn't heat up enough.**
Check whether:
 - The appliance has been switched on.
 - The appropriate temperature has been selected.
 - The air circulation orifices are covered by the crockery.
 - The crockery was left to heat up for sufficient time.

Heating time depends on several factors, such as, for example:

- Crockery material type and thickness.
- Quantity of crockery.
- How the crockery is arranged.

- **The crockery doesn't heat up at all.** Check whether:
 - You can hear the noise of a fan.
If the fan is operating then the heating element is broken; if the fan is not operating then the fan is broken.
 - The switchboard fuses / circuit breakers have fused / tripped out.
- **The crockery is heating up too much.**
 - The temperature selector is broken.
- **The on/off switch does not light up.**
 - The switch's pilot light has blown.

Technical characteristics

Specifications

- AC Voltage (see characteristics plate)
- Power required 550 W
- Current required 5 A
- Exterior dimensions (W×H×D)..... 29 7/8 × 10 1/8 × 22 1/4
- Weight 88 lbs

Installation instructions

Before installation

Check that the input voltage indicated on the characteristics plate is the same as the voltage of the power outlet you are going to use. The rating plate is located on the left side of the drawer (on the heating block) and it is only visible after opening the drawer.

Open the drawer and **take out all the accessories** and remove the packing material.

Attention! The front surface of the warming drawer may be wrapped in a **protective film**. Before using the warming drawer for the first time, remove this film carefully.

Make sure that the warming drawer is not damaged in any way. Check that the drawer opens and closes correctly. If you find any damage, contact the Technical Assistance Service.

Attention: the power socket should be easily accessible after the warming drawer has been installed.

The warming drawer should only be built-in in combination with those appliances indicated by the manufacturer. **If it is fitted in combination with other appliances, the guarantee is no longer valid since it is impossible to guarantee that the warming drawer will work correctly.**

Installation

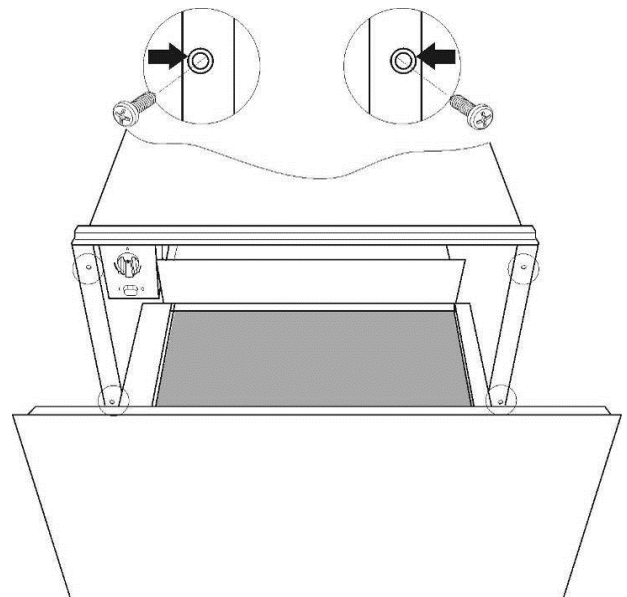
To build-in the warming drawer in combination with another appliance there must be a fixed, interim shelf in the housing unit to support the weight of both appliances.

The appliance to be combined with the warming drawer will be placed directly on the latter without any need to have a separating shelf.

To build-in the appliance which is combined with the warming drawer, follow the instructions set out in the respective instructions and fitting booklet.

The relevant installation dimensions are indicated in mm **in the diagrams shown at the end of this booklet.** Proceed as follows:

1. Place the warming drawer on the shelf and slide it towards the interior of the niche in such a way that it is centred and completely lined up with the front of the unit.
2. Check that the warming drawer's frame is properly levelled and is sitting evenly on the shelf.
3. Open the drawer and fix the warming drawer to the sides of the unit using the two screws provided.



Electrical Connection

This appliance is equipped with a 6,5 ft (2.0m) long power cord with a three-prong grounding plug ready for connection to a 120 V, 15 A, 60 Hz power supply.

Further installation details are on the wiring diagram.

The data necessary for the electrical connection are **described on the warming drawer's characteristics plate** and these must be compatible with those of the power outlet you are going to use.

WARNING: THE WARMING DRAWER MUST BE CONNECTED TO EARTH.

The manufacturer and retailers do not accept responsibility for any damage that may be caused to people, animals or property if these installation instructions are not observed.

