



1 IMPORTANT SAFETY INSTRUCTIONS

WARNING: If the instructions contained in this manual are not followed precisely, fire or explosion may result causing property damage, personal injury or loss of life.

READ AND SAVE THESE INSTRUCTIONS

1.1 Definition

DANGER

- not following instructions immediately may result in loss of life or severe injuries.

WARNING

- not following instructions may result in loss of life or severe injuries.

CAUTION

- indicates a potentially hazardous situation which, if not avoided, may result in minor to moderate injury.



NOTE:

Important information.

1.2 State of California Proposition 65 Warning

WARNING

- This product can expose you to chemicals including vinyl chloride, which is known to the State of California to cause cancer and birth defects or other reproductive harm. For more information go to www.P65Warnings.ca.gov.

1.3 Installation warnings

WARNING

- Move the appliance into the desired position with the help of a second person.
- The appliance is heavy and must be protected during transport and installation.



Warnings

- Do not use the open door as a lever to move the appliance into place.
- Do not install/use the appliance outdoors.
- THIS APPLIANCE **MUST NOT BE INSTALLED** ON BOATS OR CARAVANS.
- DO NOT USE OR KEEP FLAMMABLE MATERIALS NEAR THE APPLIANCE.
- Depending on the climatic class to which it belongs (indicated on the identification plate applied inside the compartment), the appliance can be used in different temperature conditions.
- Do not install in places where there is a risk of freezing.
- Do not install in direct sunlight or near heat sources.
- The appliance must be placed in a dry place with sufficient air circulation.
- Always disconnect the appliance from the power supply in case of malfunction, maintenance, or during cleaning.
- Do not damage the power cord while moving the appliance.
- Before any intervention on the appliance (installation, maintenance, positioning, or movement), always wear personal protective equipment.
- Before carrying out any work on the appliance, switch off the general power supply.
- Never disconnect the appliance by pulling the power cord. Always hold the plug firmly and pull it out of the socket to avoid damaging the power cord.
- Do not damage or perforate refrigerant pipes.
- DO NOT MODIFY THE APPLIANCE.
- Qualified personnel should carry out the installation and servicing in compliance with existing regulations.
- Non-polluting, recyclable materials are used for the packaging of the appliance. Take packaging materials to appropriate recycling centers.
- Do not use sharp instruments, rubbing alcohol, flammable liquids, or abrasive cleaners to remove tape glue. Clean only with hot water.



1.4 Installation cautions

CAUTION

- Install the appliance on a level surface.
- Avoid exerting too much pressure on the door when it is open.
- Be careful not to scratch or damage the floor during installation of the appliance.
- Do not push or drag the appliance when you try to move it, as it may damage the floor.
- Never cover or block the appliance's ventilation openings.
- The appliance must not be installed on a stand.
- To avoid possible overheating, the appliance must not be installed behind a decorative door or panel.
- Qualified personnel should carry out the installation and servicing in compliance with existing regulations.
- A qualified technician must complete the electrical connection.

1.5 How to read the user manual

This user manual uses the following reading conventions:

Instructions



General information on this user manual, on safety and final disposal.

Description



Description of the appliance and its accessories.

Use



Information on the use of the appliance and its accessories, food storage advice.

Cleaning and maintenance



Information for proper cleaning and maintenance of the appliance.

Installation



Information for the qualified technician: Installation, operation and inspection.

1. Sequential order of instructions.
- Standalone instruction for use.

SAVE THESE INSTRUCTIONS



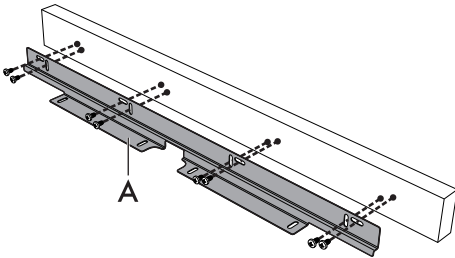
Installation


2 Fixing brackets

i The supplied brackets are an integral part of the product and must be fastened to the appliance before installing it.

2.1 Cover panel

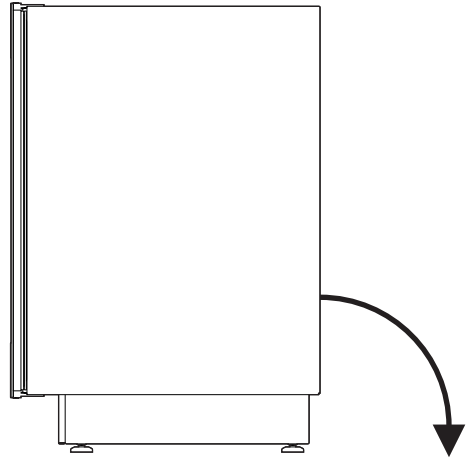
1. Fasten the panel (supplied by the furniture vendor) to the bracket **A** using the screws provided.



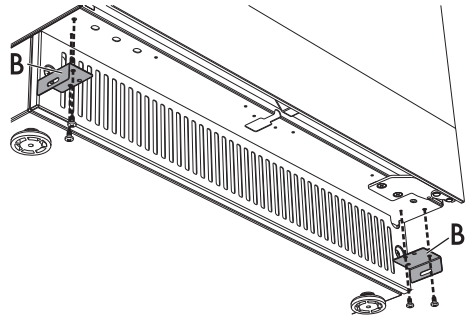
NOTE:
 The screws may be used as one wishes thanks to the slots on the bracket.


2.2 Lower fixing plates

2. Carefully lay the appliance over on its back.



3. Screw in the lower fixing plates **B** as shown in the figure below.

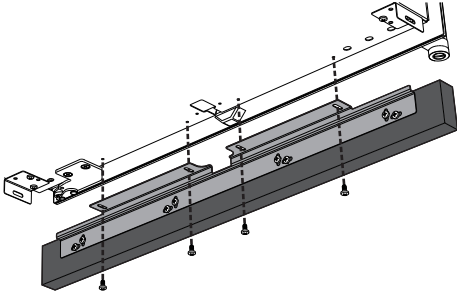


NOTE:
 the side slots of the fixing plates must be turned towards the side of the appliance.



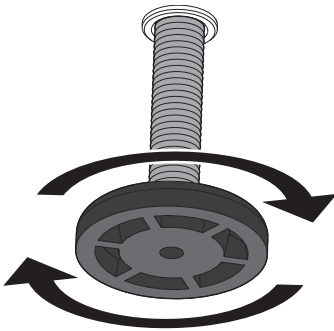
2.3 Option 1: Installation with panel under the appliance

4. Fasten the panel (previously mounted on the bracket) to the bottom of the appliance.

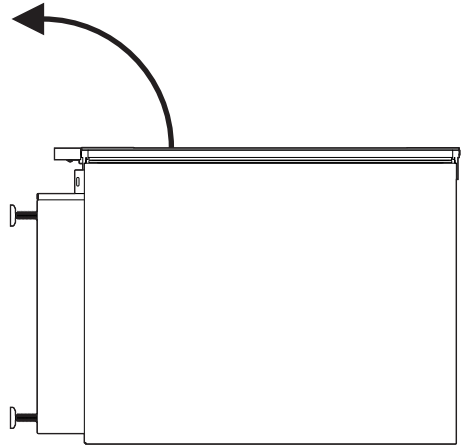


5. Align the front of the panel with the appliance door using the slots on the bracket.

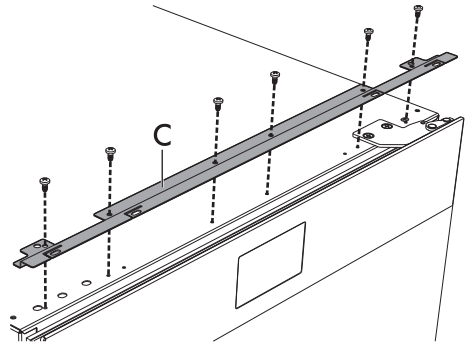
6. Adjust the lower feet to raise the appliance considerably.



7. Raise the appliance vertically.



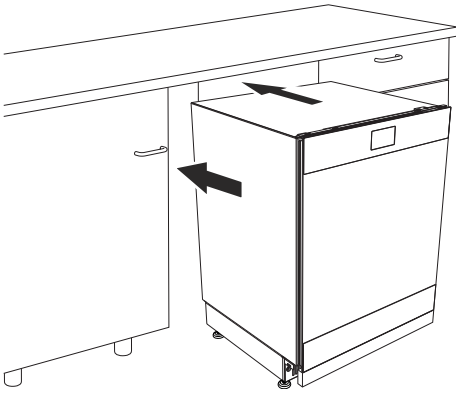
8. If it is not already mounted, fasten the bracket **C** to the top of the appliance using the screws supplied as shown in the figure below.



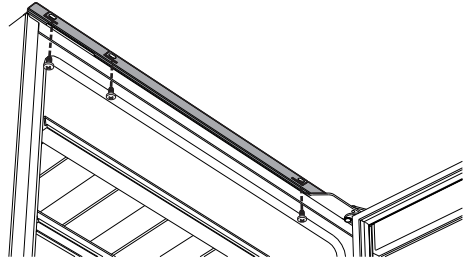


Installation

9. Insert the appliance into the cabinet.

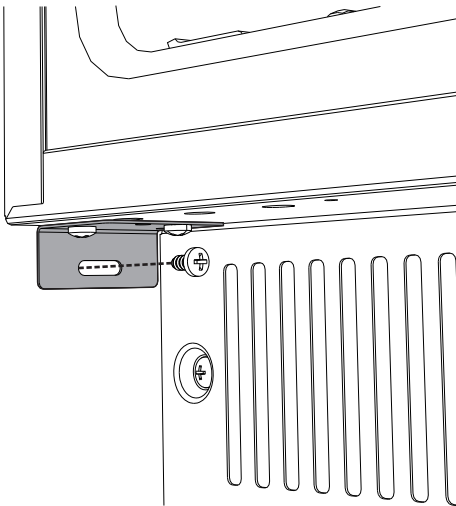


12. Fasten the appliance under the top of the cabinet with the screws provided using the upper bracket.



10. Open the door.

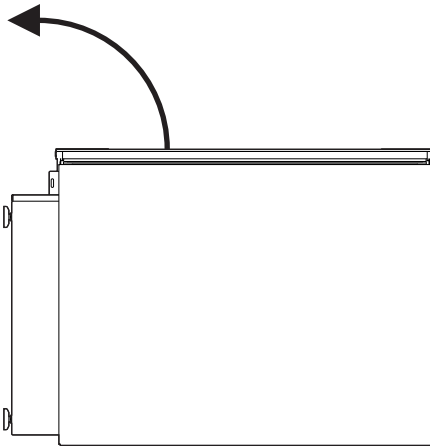
11. Fasten the appliance to the side walls of the cabinet with the screws provided using the lower fixing plates.



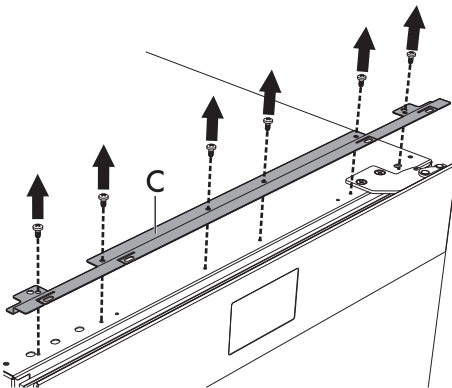


2.4 Option 2: Installation with panel over the appliance

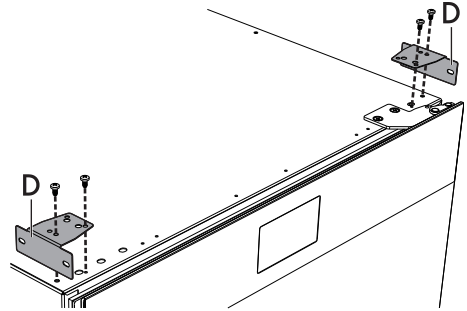
4. Raise the appliance vertically.



5. If it is already mounted, remove the bracket **C** from the top of the appliance as shown in the figure below.



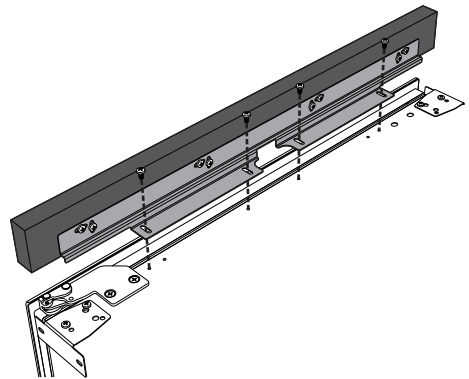
6. Screw in the upper fixing plates **D** as shown in the figure below.



NOTE:

the side slots of the fixing plates must be turned towards the side of the appliance.

7. Fasten the panel (previously mounted on the bracket) to the top of the appliance.

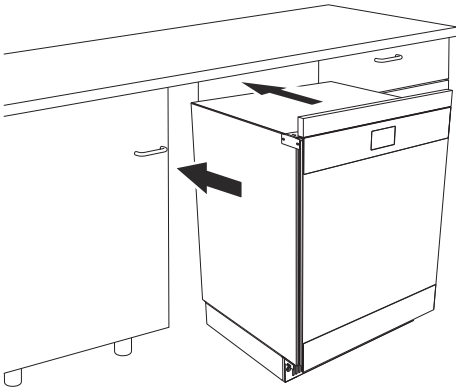


8. Align the front of the panel with the appliance door using the slots on the bracket.



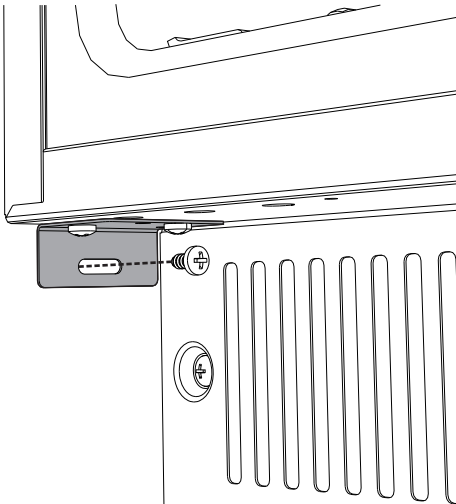
Installation

9. Insert the appliance into the cabinet.

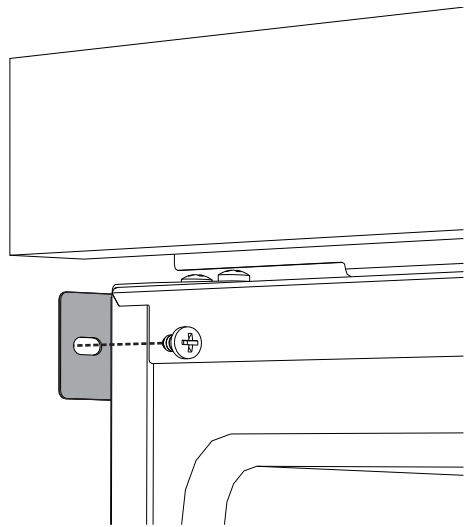


10. Open the door.

11. Fasten the appliance to the side walls of the cabinet with the screws provided using the lower fixing plates.



12. Fasten the appliance also to the side walls of the cabinet with the screws provided using the upper fixing plates.



13. The upper fixing plate near the door hinge must be fastened through the gap between the door and the appliance.

