


# CONTENTS

---

RECOMMENDATIONS AND SUGGESTIONS. ....	14
CHARACTERISTICS.....	17
INSTALLATION.....	18
USE .....	19
MAINTENANCE.....	21

# RECOMMENDATIONS AND SUGGESTIONS

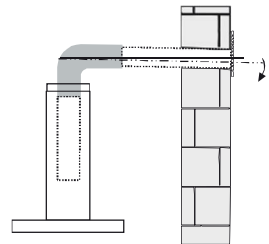
-  The instructions for use apply to several versions of this appliance. You may therefore find descriptions of individual features that do not apply to your specific appliance.

## INSTALLATION

- The manufacturer accepts no liability for damage or injury as a result of incorrect installation or improper use.
- The minimum safety distance between the hob and the extractor hood is 650 mm (some models can be installed at a lower height, please refer to the section regarding working dimensions and installation).
- Make sure that the mains voltage corresponds to the one indicated on the rating plate fixed to the inside of the hood.
- For Class I appliances, make sure that the household electrical system is suitably earthed.



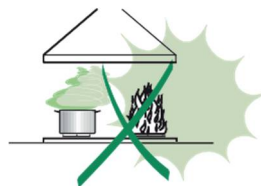
- Connect the extractor to the flue using a pipe having a minimum diameter of 120 mm. The route of the flue must be as short as possible.
- Do not connect the extractor hood to flues that carry combustion fumes (e.g. from boilers, chimneys etc.).
  - If the extractor is used in conjunction with non-electrical appliances (e.g. gas appliances), the room must be sufficiently ventilated in order to prevent the backflow of exhaust gases. The kitchen must have a ventilation opening communicating directly with the external air in order to guarantee the inflow of clean air. If the extractor is used in conjunction with non-electrical appliances, the negative pressure in the room must not exceed 0.04 mbar in order to prevent the backflow of exhaust gases.
  - In the event of damage to the power cable, it must be replaced by the manufacturer or by the technical support department in order to avoid any risks.



- If the installation instructions for the gas hob specify a greater distance compared to the one indicated, this has to be taken into account. Comply with the current regulations on air discharge into the atmosphere.
- Only use screws and fittings that are suitable for the hood.  
Warning: failure to install the screws or fixing devices according to these instructions may result in electrical shock hazards.
- Connect the hood to the mains power supply via a two-pole switch that has a contact gap of at least 3 mm.
- **Do not mount directly on plasterboard; always make sure there is a reinforcement (support) for securing the mounting brackets. For versions with threaded rods, make sure that they are installed correctly.**


## USE

- The extractor hood has been designed exclusively for domestic use to eliminate kitchen smells.
- Never use the hood for purposes other than for which it has been designed.
- Never leave high naked flames under the hood when it is in operation.
- Regulate the intensity of the flame so that it is directed only onto the bottom of the pan, making sure that it does not engulf the sides.
- Deep fat fryers must be continuously monitored during use: overheated oil can burst into flames.
- Do not flambé under the hood as this could cause a fire.
- This appliance can be used by children aged from 8 years and above and by persons with reduced physical, sensory or mental capabilities or who lack experience and knowledge as long as they are supervised or instructed on how to use the appliance safely and understand the hazards involved. Make sure that children do not play with the appliance. Cleaning and user maintenance must not be carried out by children unless they are supervised.
- **CAUTION:** Accessible parts may become hot when the cooking appliances are used.



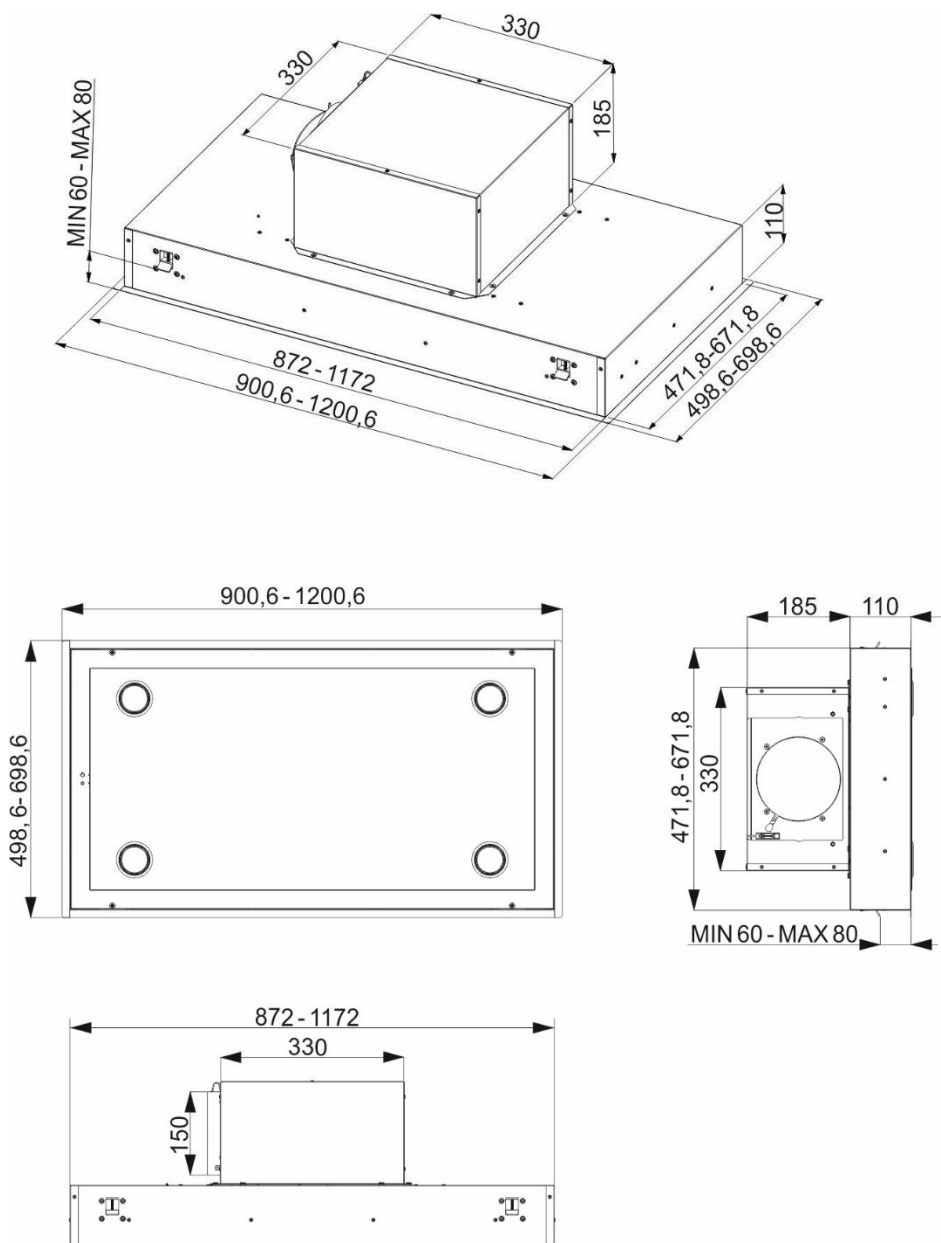
## MAINTENANCE

- Switch off or unplug the appliance from the mains supply before carrying out any cleaning or maintenance.
- Clean and / or replace the filters after the length of time specified (fire hazard).
- The grease filters must be cleaned every 2 months of operation, or more frequently in the case of particularly heavy use. The filters can be washed in a dishwasher.
- The activated carbon filter is not washable and cannot be regenerated. It must be replaced approximately every 4 months of operation or more frequently in the case of particularly heavy use.
- “There is a risk of fire if cleaning is not carried out according to the instructions”.
- Clean the hood using a damp cloth and a neutral liquid detergent.

The  symbol on the product or on its packaging indicates that the product must not be disposed of as normal household waste. The product must be taken to a collection point for the recycling of electrical and electronic components. By ensuring this product is disposed of correctly, you will help to prevent a potential negative impact on the environment and human health, which could result if this product is not disposed of properly. For further information regarding the recycling of this product, please contact your council offices, your local waste disposal service or the shop where you purchased the product.

# CHARACTERISTICS

## Dimensions

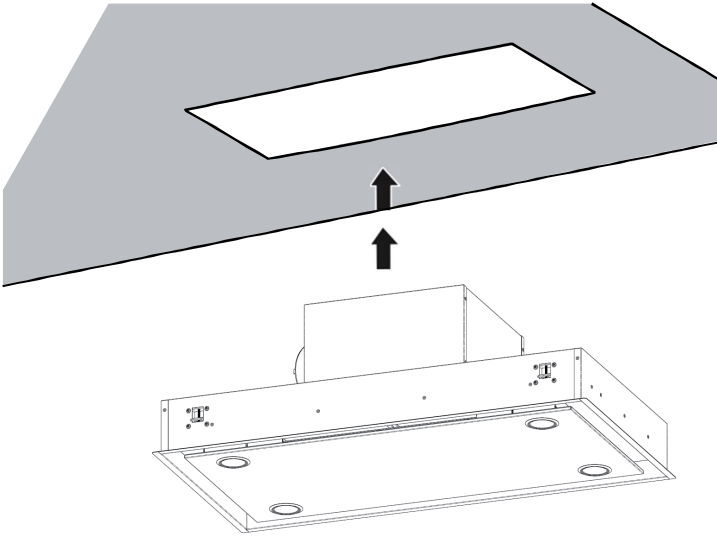


# INSTALLATION

---

## Installing the extractor hood

---



- If the ceiling is not strong enough at the suspension point, the installer must strengthen it by fixing suitable plates and backplates to parts that are structurally sound.

## ELECTRICAL CONNECTION

- Connect the hood to the mains power supply via a two-pole switch that has a contact gap of at least 3 mm.

# USE

---

## Control panel

---

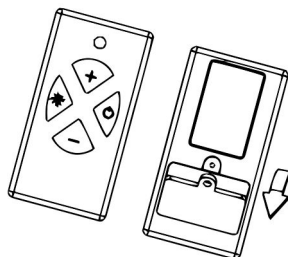


FUNCTION	BUTTON
L	Switches the lights On / Off at maximum intensity.
T	Switches the motor On / Off at the lowest speed.

## REMOTE CONTROL

This appliance can be controlled using a remote control powered by standard 12 V 23 A carbon-zinc alkaline batteries (not included).





- Do not place the remote control close to heat sources.
- Dispose of used batteries properly.



## Control panel

---



FUNCTION	BUTTON
	Switches the motor On / Off.
	Decreases the Speed of the Motor.
	Increases the Speed of the Motor.
	Switches the hood lights On / Off at maximum intensity.



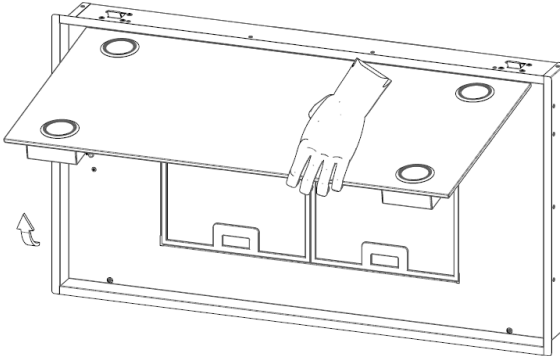
# MAINTENANCE

---

## Opening the panel

---

- Open the panel by pulling it.
- Clean the outside using a damp cloth and a neutral detergent.
- Clean the inside using a damp cloth and a neutral detergent. Do not use wet cloths or sponges, or jets of water. Do not use abrasive substances.

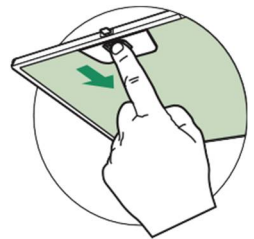


## Grease filters

### CLEANING THE SELF-SUPPORTING METAL GREASE FILTERS

---

- The filters can also be washed in a dishwasher. They must be cleaned approximately every 2 months of operation, or more frequently in the case of particularly heavy use.
- Open the comfort panels by pulling them.
- Remove the filters one at a time by pushing them towards the back of the unit and pulling downwards at the same time.
- Wash the filters, taking care not to bend them and allow them to dry before reinstalling. (If the surface of the filter changes colour over time, this will not affect the efficiency of the filter itself.)
- When reinstalling the filters, make sure that the handle is visible on the outside.
- Close the comfort panels.



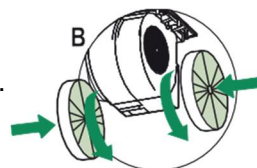
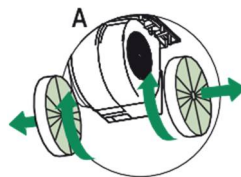
## Activated Carbon Filter (Recirculation version)

---

The activated carbon filter is not washable and cannot be regenerated. It must be replaced approximately every 4 months of operation, or more frequently in the case of particularly heavy use.

### REPLACING THE FILTER

- Open the panel by pulling it.
- Remove the grease filters.
- Remove the saturated activated carbon filter as shown (A).
- Install the new filters as shown (B).
- Reinstall the grease filters.
- Close the panel.



### Lighting

---

- For replacement, contact technical support (“To purchase, contact technical support”).